

Specifications:

Current Rating: 1.0A AC/DC
 Voltage rating: 50V AC/DC
 Temperature range: -25°C to +85°C
 Contact resistance: 20mΩ max.
 Insulation resistance: 100MΩ min.
 Withstand voltage: 500V AC/minute
 Package: tap & reel

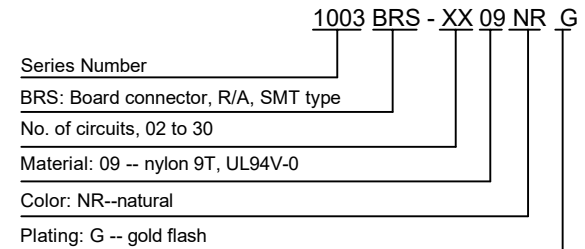
Material:

Housing: 9T, UL94V-0, natural
 PIN: phosphor bronze

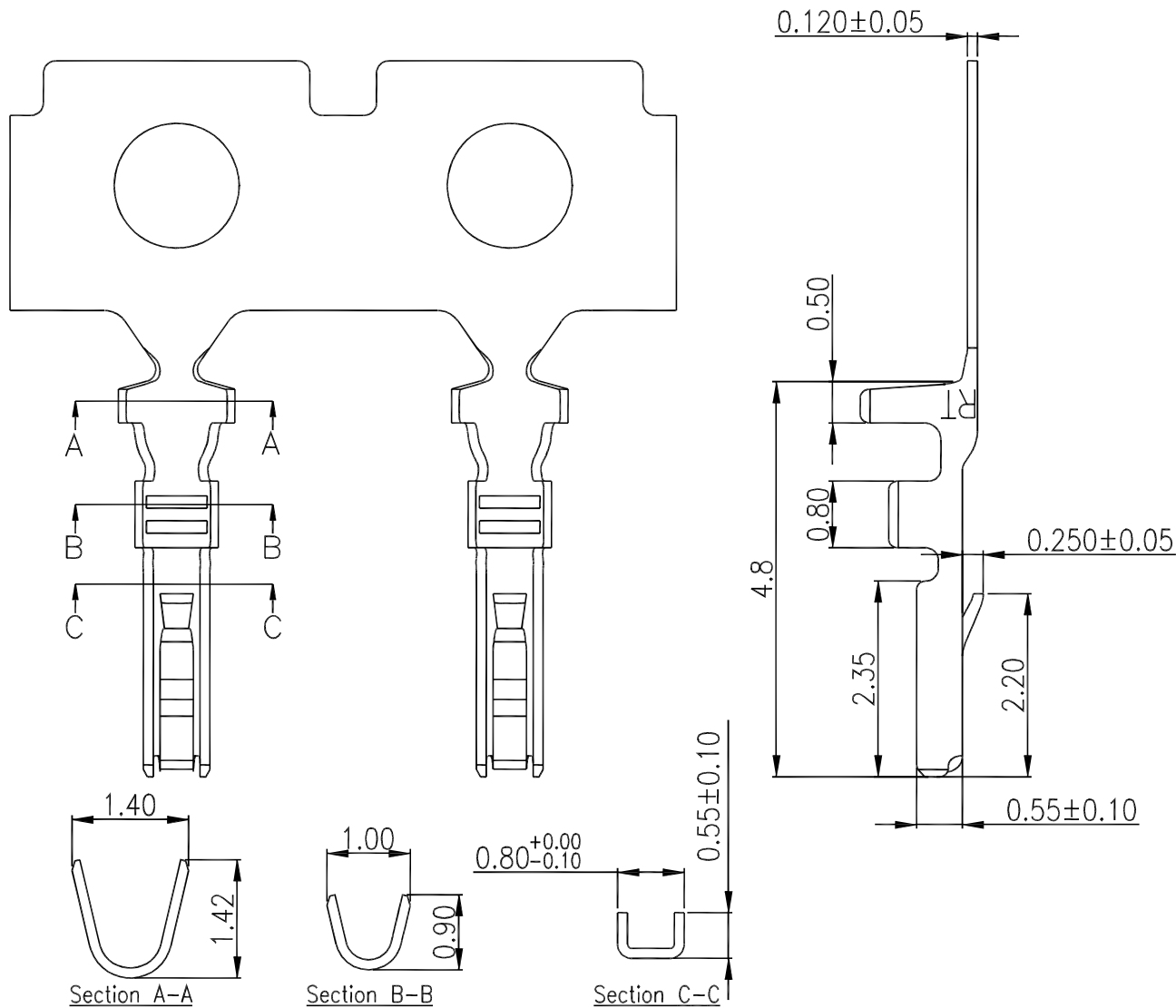
Circuits	Dimensions (mm)			
	A	B	C	D
2	1.00	4.80	3.10	2.50
3	2.00	5.80	4.10	3.50
4	3.00	6.80	5.10	4.50
5	4.00	7.80	6.10	5.50
6	5.00	8.80	7.10	6.50
7	6.00	9.80	8.10	7.50
8	7.00	10.80	9.10	8.50
10	9.00	12.80	11.10	10.50
11	10.00	13.80	12.10	11.50
12	11.00	14.80	13.10	12.50
14	13.00	16.80	15.10	14.50
16	15.00	18.80	17.10	16.50
20	19.00	22.80	21.10	20.50
22	21.00	24.80	23.10	22.50
26	25.00	28.80	27.10	26.50
30	29.00	32.80	31.10	30.50

Mates with: 1003W (wire connector, female, single row)

Part Number Information:



							General Tolerance	Zeakka Electronics				Document No.:	ZK-1003BRS		
							.X ±0.3					Title:	HEADER, R/A, SMT TYPE, SINGLE ROW, 1.0MM PITCH, GOLD FLASH		
							.XX ±0.2	APPR	CH'K	DRWN	Date	Dimensions	Scale	Version	
Date	Version	EC No.	Description	DRWN	CH'K	APPR	.XXX ±0.1	Kai Lee	Cris Wang	Jun Wei	2020.8.7	mm	1:1	A	
							THIRD ANGLE PROJECTION								



Specifications:

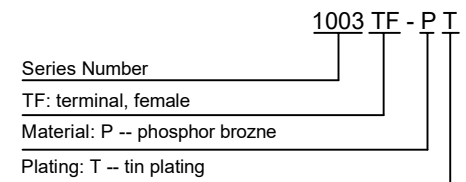
Current Rating: 1.0A AC/DC
 Voltage rating: 50V AC/DC
 Temperature range: -25°C to +85°C
 Contact resistance: 30mΩ max.
 Insulation resistance: 100MΩ min.
 Withstand voltage: 500V AC/minute
 Applicable wire: AWG32 - AWG28
 Package: 15000pcs / reel

Material:

Phosphor bronze

Used with: 1003W (female housing)

Part Number Information:



							General Tolerance	Zeakka Electronics				Document No.: ZK-1003TF						
							.X ±0.3					Title: TERMINAL, FEMALE, CRIMP TYPE, PHOSPHOR BRONZE, TIN, REEL						
							.XX ±0.2					APPR	CH'K	DRWN	Date	Dimensions	Scale	Version
							.XXX ±0.1					Kai Lee	Cris Wang	Jun Wei	2020.8.7	mm	1:1	A
Date	Version	EC No.	Description	DRWN	CH'K	APPR	THIRD ANGLE PROJECTION											