

Circuits	Dimensions (mm)				
	A	B	C	D	E
2	1.20	2.70	4.20	3.20	1.50
3	2.40	3.90	5.40	4.40	1.50

Specifications:

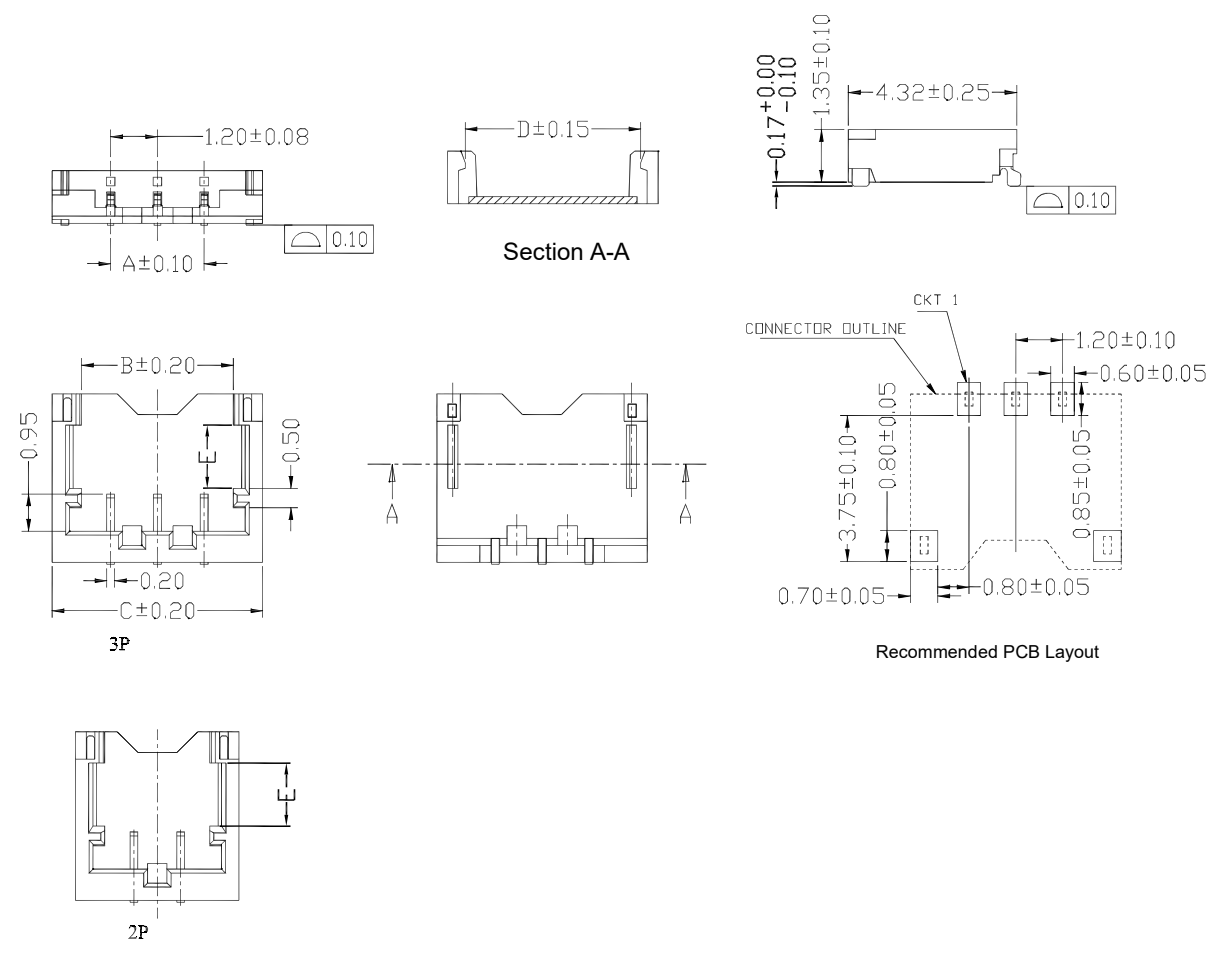
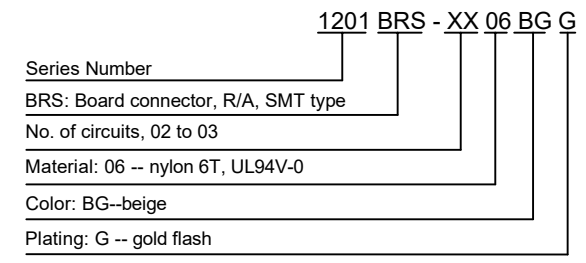
Current Rating: 2.0A AC/DC
Voltage rating: 50V AC/DC
Temperature range: -25°C to +85°C
Contact resistance: 20mΩ max.
Insulation resistance: 100MΩ min.
Withstand voltage: 500V AC/minute
Package: tape & reel

Material:

Housing: nylon 6T, UL94V-0, beige
PIN: phosphor bronze
Solder tab: phosphor bronze

Mates with: 1201W (wire connector, female, single row)

Part Number Information:



							General Tolerance	Zeakka Electronics				Document No.: ZK-1201BRS-2		
							.X ±0.3					Title: HEADER, R/A, SMT TYPE, SINGLE ROW, 1.20MM PITCH, GOLD FLASH		
							.XX ±0.2	APPR	CH'K	DRWN	Date	Dimensions	Scale	Version
Date	Version	EC No.	Description	DRWN	CH'K	APPR	.XXX ±0.1	Kai Lee	Cris Wang	Jun Wei	2020.8.7	mm	1:1	A
							THIRD ANGLE PROJECTION							

Circuits	Dimensions (mm)			
	A	B	C	D
4	3.60	6.60	5.80	5.00
5	4.80	7.80	7.00	6.20
6	6.00	9.00	8.20	7.40

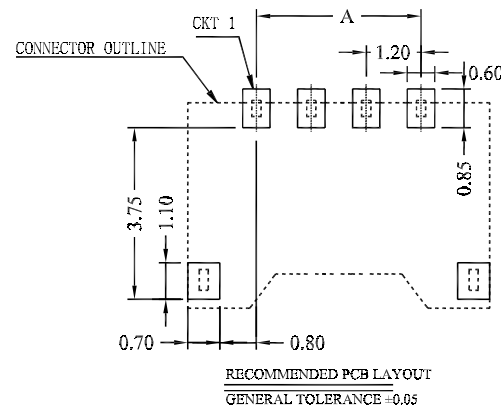
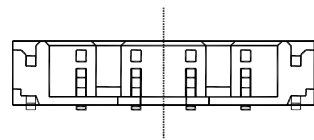
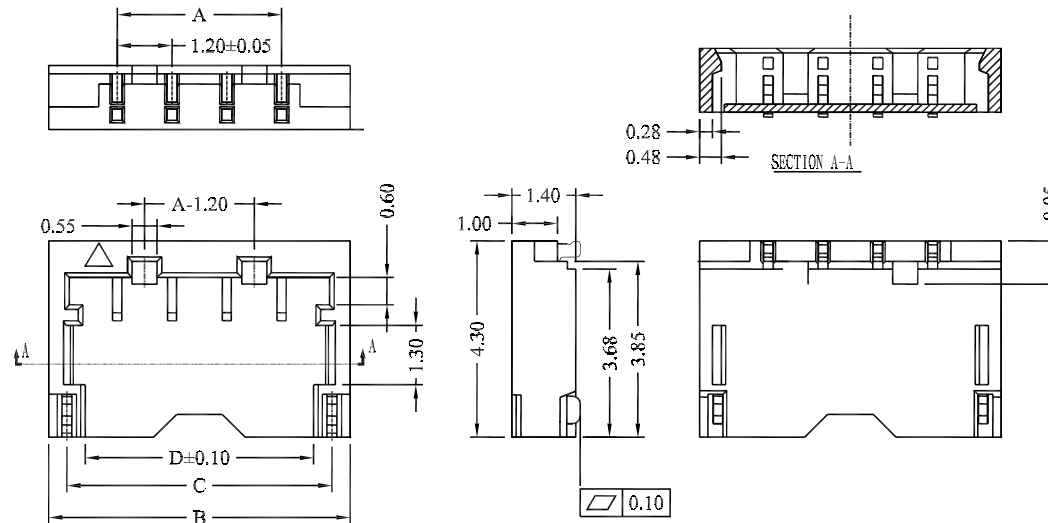
Specifications:

Current Rating: 2.0A AC/DC
Voltage rating: 50V AC/DC
Temperature range: -25°C to +85°C
Contact resistance: 20mΩ max.
Insulation resistance: 100MΩ min.
Withstand voltage: 500V AC/minute
Package: tape & reel

Material:

Housing: LCP, UL94V-0, beige
PIN: phosphor bronze
Solder tab: phosphor bronze

Mates with: 1201W (wire connector, female, single row)

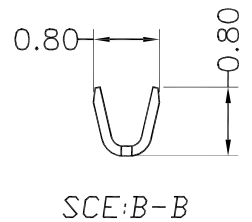
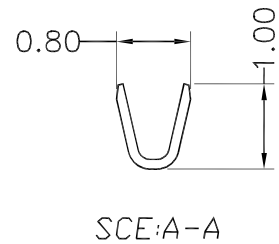
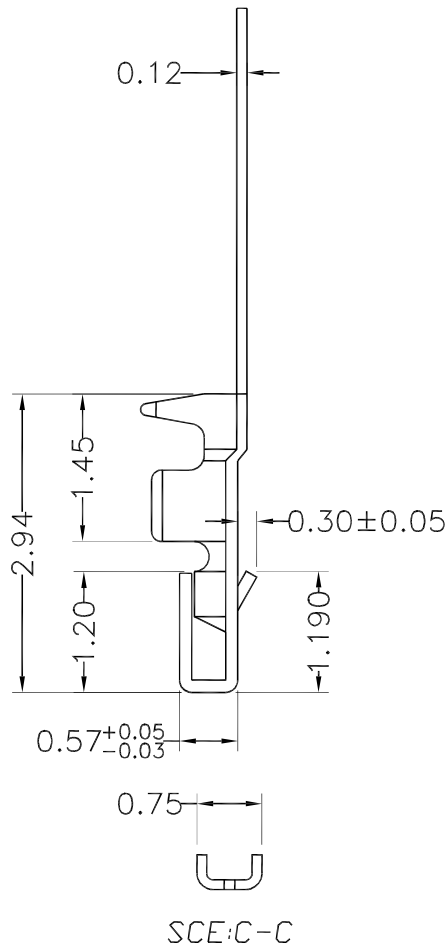
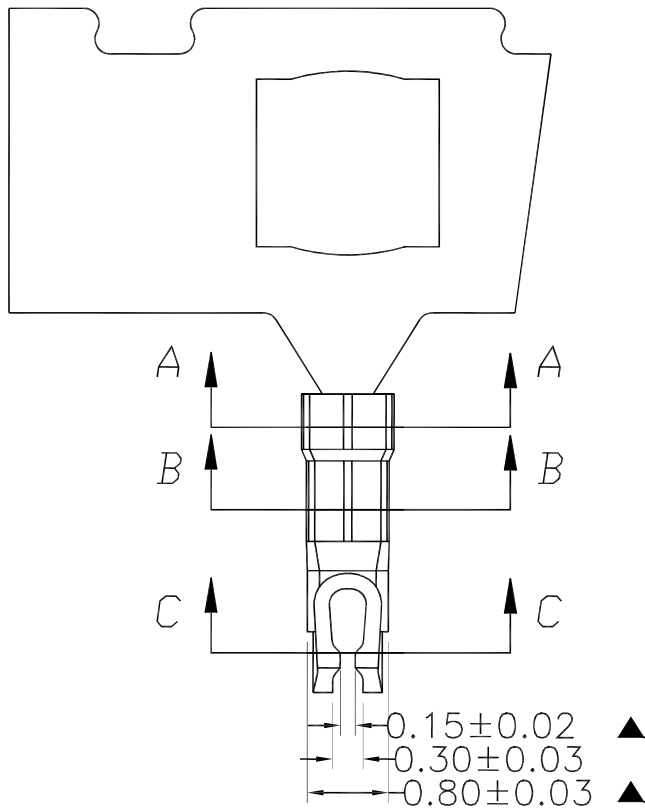


Part Number Information:

1201 BRS - XX 03 BG G

Series Number: 1201
BRS: Board connector, R/A, SMT type
No. of circuits, 04 to 06: XX
Material: 03 -- LCP, UL94V-0
Color: BG--beige
Plating: G -- gold flash

Date	Version	EC No.	Description	DRWN	CH'K	APPR	General Tolerance	Zeakka Electronics				Document No.:	ZK-1201BRS-1		
							.X ± 0.3	APPR	CH'K	DRWN	Date	Dimensions	Scale	Version	
							.XX ± 0.2	Kai Lee	Cris Wang	Jun Wei	2020.8.7	mm	1:1	A	
							.XXX ± 0.1								
							THIRD ANGLE PROJECTION								



Specifications:

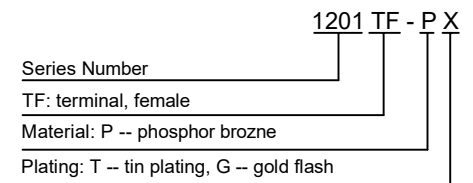
Current Rating: 2.0A AC/DC
 Voltage rating: 50V AC/DC
 Temperature range: -25°C to +85°C
 Contact resistance: 20mΩ max.
 Insulation resistance: 100MΩ min.
 Withstand voltage: 500V AC/minute
 Applicable wire: AWG32 - AWG28
 Insulation OD: max 0.63mm
 Package: 15000pcs / reel

Material:

Phosphor bronze

Used with: 1201W (female housing)

Part Number Information:



							General Tolerance	Zeakka Electronics				Document No.: ZK-1201TF			
							.X ±0.3					Title: TERMINAL, FEMALE, CRIMP TYPE, PHOSPHOR BRONZE, REEL			
							.XX ±0.2					APPR	CH'K	DRWN	Date
Date	Version	EC No.	Description	DRWN	CH'K	APPR	.XXX ±0.1	THIRD ANGLE PROJECTION	Kai Lee	Cris Wang	Jun Wei	2020.8.7	mm	1:1	A