

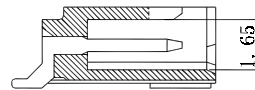
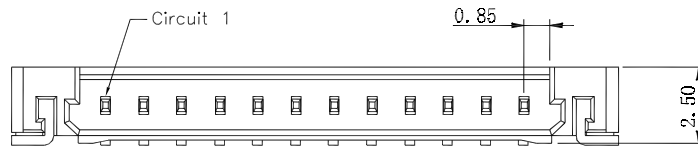
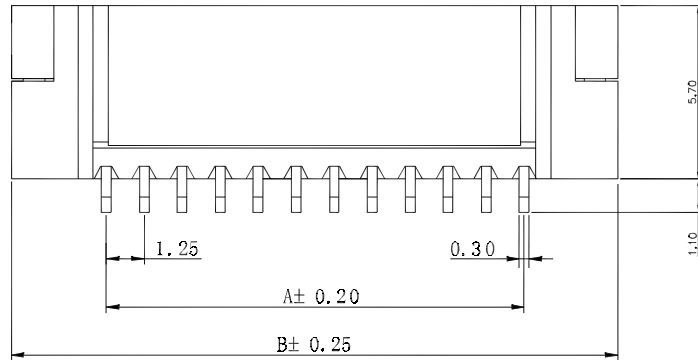
Specifications:

Current Rating: 1.0A AC/DC
 Voltage rating: 150V AC/DC
 Temperature range: -25°C to +85°C
 Contact resistance: 30mΩ max.
 Insulation resistance: 500MΩ min.
 Withstand voltage: 500V AC/minute
 Package: tape & reel

Material:

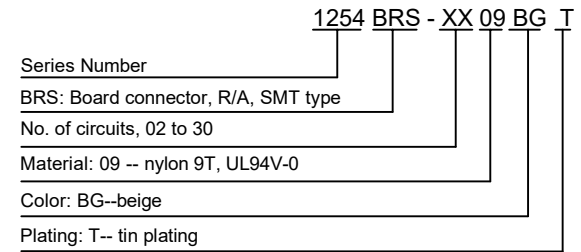
Housing: nylon 9T, UL94V-0, beige
 PIN: phosphor bronze
 Solder tab: phosphor bronze

Circuits	Dimensions (mm)	
	A	B
2	1.25	6.25
3	2.50	7.50
4	3.75	8.75
5	5.00	10.00
6	6.25	11.25
7	7.50	12.50
8	8.75	13.75
9	10.00	15.00
10	11.25	16.25
11	12.50	17.50
12	13.75	18.75
13	15.00	20.00
14	16.25	21.25
15	17.50	22.50
20	23.75	28.75
25	30.00	35.00
30	36.25	41.25



Mates with: 1254W (wire connector)

Part Number Information:



							General Tolerance	Zeakka Electronics				Document No.: ZK-1254BRS		
							.X ±0.3					Title: HEADER, R/A, SMT TYPE, SINGLE ROW, 1.25MM PITCH, TIN		
							.XX ±0.2	APPR	CH'K	DRWN	Date	Dimensions	Scale	Version
Date	Version	EC No.	Description	DRWN	CH'K	APPR	.XXX ±0.1	Kai Lee	Cris Wang	Jun Wei	2020.8.8	mm	1:1	A
							THIRD ANGLE PROJECTION							

Specifications:

Current Rating: 1.0A AC/DC
 Voltage rating: 150 AC/DC
 Temperature range: -25°C to +85°C
 Contact resistance: 30mΩ max.
 Insulation resistance: 500MΩ min.
 Withstand voltage: 500V AC/minute
 Applicable wire: AWG32 - AWG28
 Insulation OD: max 0.9mm

Material:

Phosphor bronze

Used with: 1254W (wire connector)

Part Number Information:

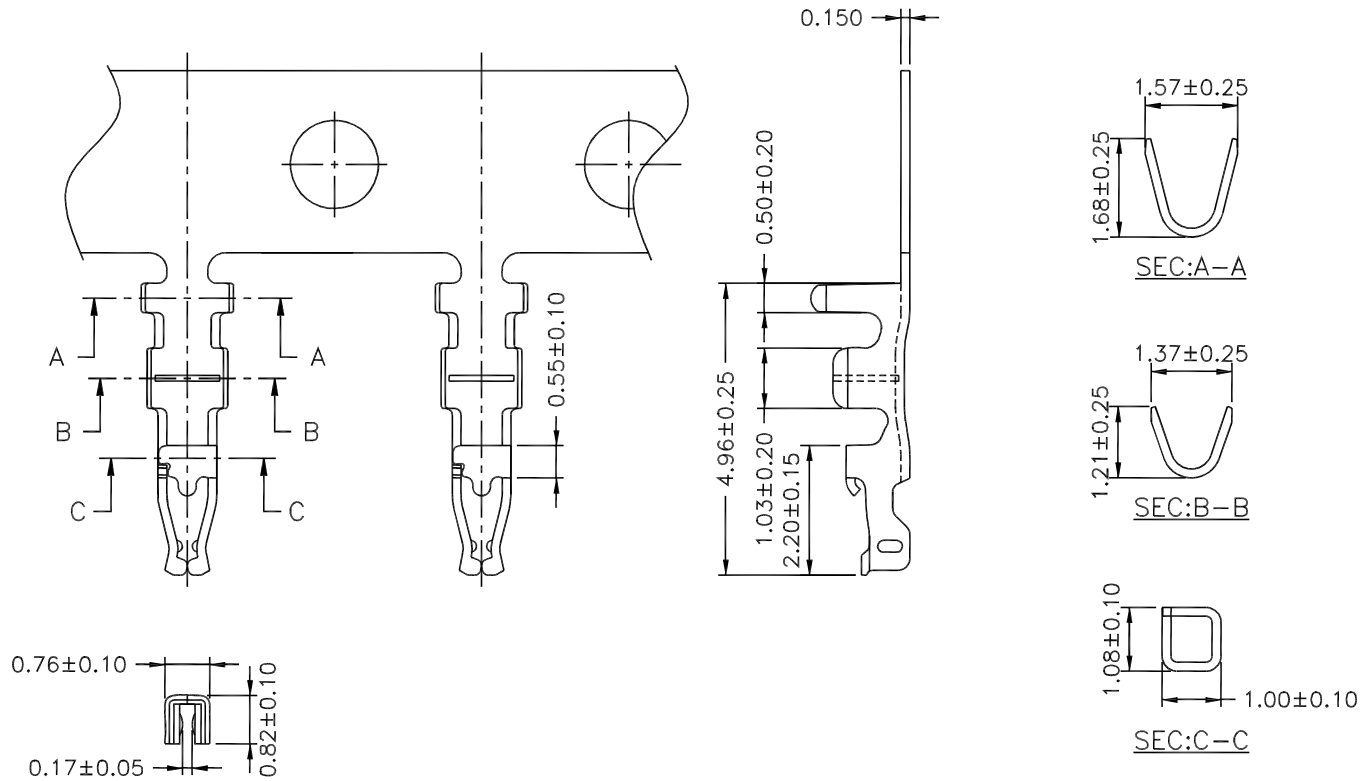
1254 TF - P X

Series Number

TF: terminal, female

Material: P -- phosphor bronze

Plating: T -- tin plating, G -- gold flash



							General Tolerance	Zeakka Electronics				Document No.: ZK-1254TF						
							.X ±0.3					Title: TERMINAL, FEMALE, CRIMP TYPE, PHOSPHOR BRONZE, REEL						
							.XX ±0.2					APPR	CH'K	DRWN	Date	Dimensions	Scale	Version
							.XXX ±0.1											
Date	Version	EC No.	Description	DRWN	CH'K	APPR	THIRD ANGLE PROJECTION	Kai Lee	Cris Wang	Jun Wei	2020.8.8	mm	1:1	A				