

Recommended P.C.B Layout  
General Tolerance±0.05

**Specifications:**

Current Rating: 1.0A AC/DC  
Voltage rating: 50V AC/DC  
Temperature range: -25°C to +85°C  
Contact resistance: 20mΩ max.  
Insulation resistance: 100M min.  
Withstand voltage: 500V AC/minute  
Package: 1000pcs/reel

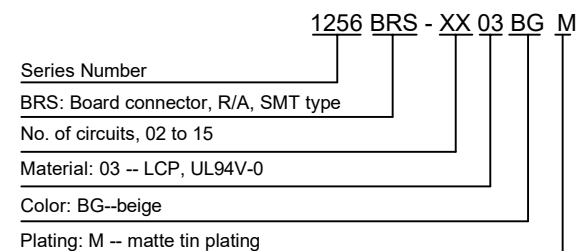
**Material:**

Housing: LCP, UL94V-0, beige  
PIN: phosphor bronze  
Solder tab: brass

Mates with: 1256W (wire connector, female, single row)

Circuits	Dimensions (mm)			
	A	B	C	D
2	5.85	4.75	1.25	2.70
3	7.10	6.00	2.50	3.00
4	8.35	7.25	3.75	3.70
5	9.60	8.50	5.00	3.70
6	10.85	9.75	6.25	3.70
7	12.10	11.00	7.50	3.70
8	13.35	12.25	8.75	2.95
9	14.60	13.50	10.00	4.20
10	15.85	14.75	11.25	5.45
11	17.10	16.00	12.50	6.70
12	18.35	17.25	13.75	7.95
13	19.60	18.50	15.00	9.20
14	20.85	19.75	16.25	10.45
15	22.10	21.00	17.50	11.70

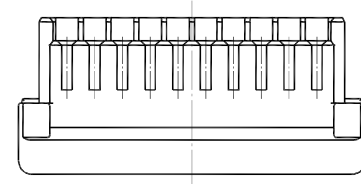
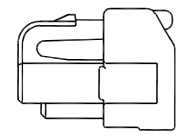
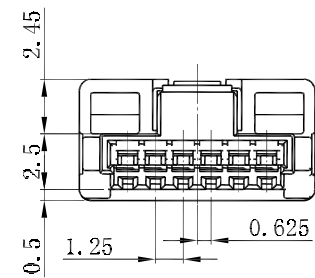
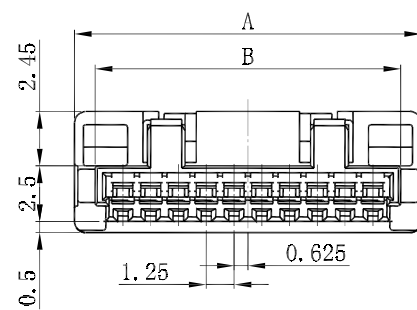
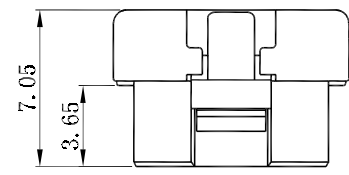
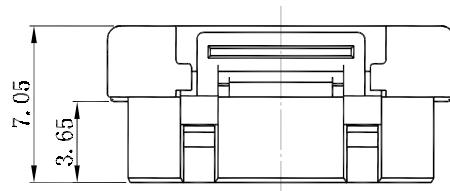
**Part Number Information:**



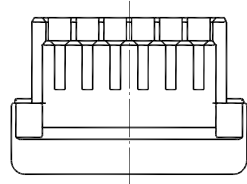
						General Tolerance	Zeakka Electronics				Document No.: ZK-1256BRS			
						.X ±0.3					Title: HEADER, R/A, SMT TYPE, SINGLE ROW, 1.25MM PITCH, TIN			
						.XX ±0.2	APPR	CH'K	DRWN	Date	Dimensions	Scale	Version	
Date	Version	EC No.	Description	DRWN	CH'K	APPR	THIRD ANGLE PROJECTION	Kai Lee	Cris Wang	Jun Wei	2020.8.7	mm	1:1	A







8-15PIN



2-7PIN

**Specifications:**

Current Rating: 1.0A AC/DC  
 Voltage rating: 50V AC/DC  
 Temperature range: -25°C to +85°C  
 Contact resistance: 20mΩ max.  
 Insulation resistance: 100M min.  
 Withstand voltage: 500V AC/minute

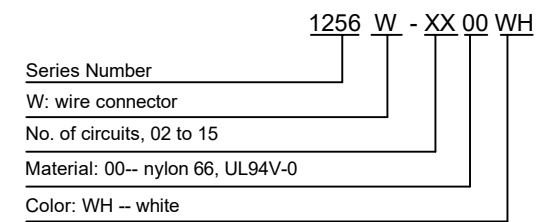
**Material:**

Housing: nylon 66, UL94V-0, white

**Mates with:** 1256BVS (header, vertical, SMT type)  
 1256BRS (header, R/A, SMT type)

**Used with:** 1256TF-PT (female terminal)

**Part Number Information:**



Circuits	A	B
2	1.25	4.25
3	2.50	5.50
4	3.75	6.75
5	5.00	8.00
6	6.25	9.25
7	7.50	10.50
8	8.75	11.75
9	10.00	13.00
10	11.25	14.25
11	12.50	15.50
12	13.75	16.75
13	15.00	18.00
14	16.25	19.25
15	17.50	20.50

Date	Version	EC No.	Description	DRWN	CH'K	APPR	General Tolerance	Zeakka Electronics				Document No.:	ZK-1256W	
							.X ±0.3	APPR	CH'K	DRWN	Date	Dimensions	Scale	Version
							.XX ±0.2	Kai Lee	Cris Wang	Jun Wei	2020.8.7	mm	1:1	A
							.XXX ±0.1							

THIRD ANGLE PROJECTION

**Specifications:**

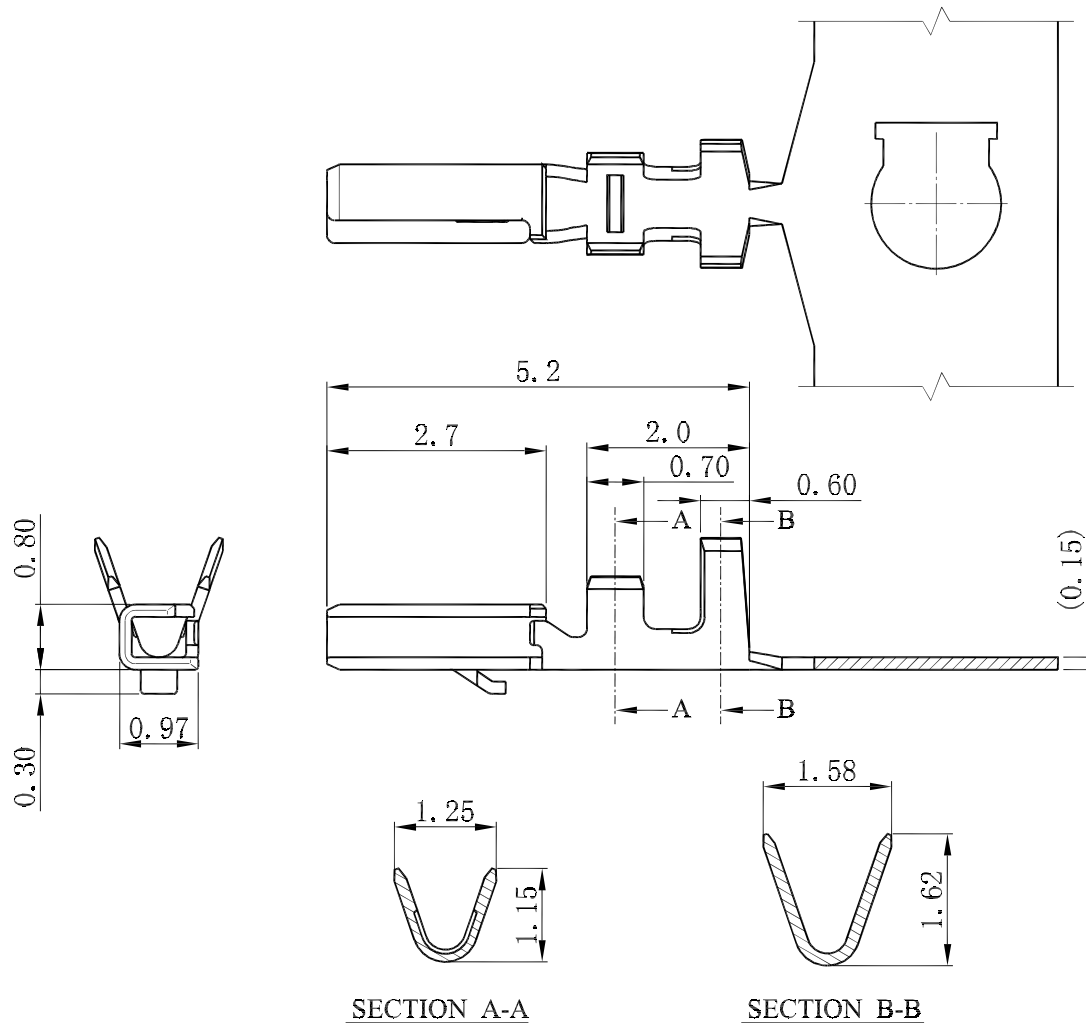
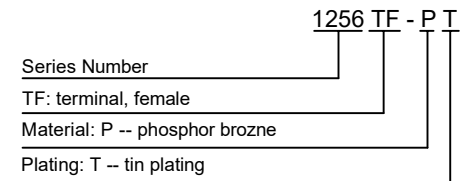
Current Rating: 1.0A AC/DC  
 Voltage rating: 50V AC/DC  
 Temperature range: -25°C to +85°C  
 Contact resistance: 20mΩ max.  
 Insulation resistance: 100M min.  
 Withstand voltage: 500V AC/minute  
 Applicable wire: AWG28 - AWG26  
 Insulation OD: max 0.9mm  
 Package: 10000pcs / reel

**Material:**

Phosphor bronze

**Used with:** 1256W (female housing)

**Part Number Information:**



							General Tolerance	<b>Zeakka Electronics</b>				Document No.: ZK-1256TF						
							.X ±0.3					Title: TERMINAL, FEMALE, CRIMP TYPE, PHOSPHOR BRONZE, TIN, REEL						
							.XX ±0.2					APPR	CH'K	DRWN	Date	Dimensions	Scale	Version
							.XXX ±0.1					Kai Lee	Cris Wang	Jun Wei	2020.8.7	mm	1:1	A
Date	Version	EC No.	Description	DRWN	CH'K	APPR	THIRD ANGLE PROJECTION											