

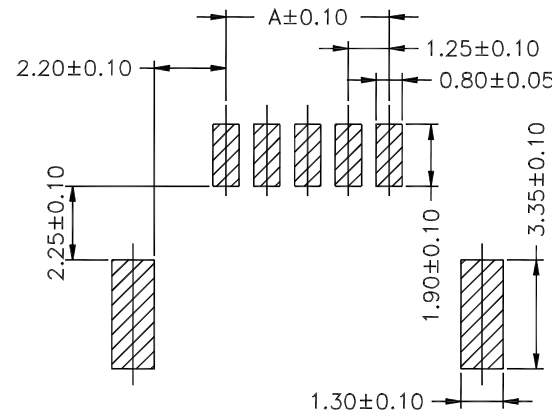
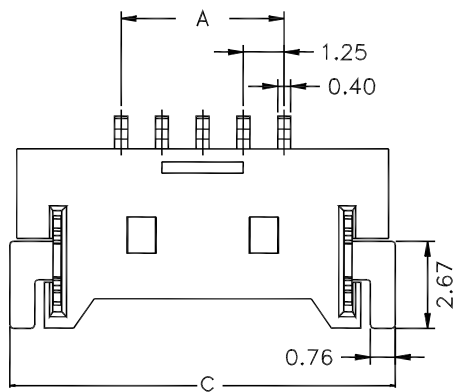
Specifications:

Current Rating: 1A AC/DC
 Voltage rating: 125V AC/DC
 Temperature range: -25°C to +85°C
 Contact resistance: 20mΩ max.
 Insulation resistance: 100M min.
 Withstand voltage: 500V AC/minute

Material:

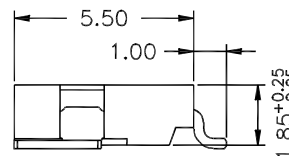
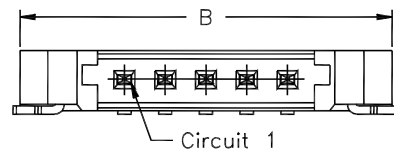
Housing: nylon 9T, UL94V-0, natural
 PIN: Brass
 Solder Tab: Brass

Circuits	Dimensions (mm)		
	A	B	C
2	1.25	7.65	7.60
3	2.50	8.90	8.85
4	3.75	10.15	10.10
5	5.00	11.40	11.35
6	6.25	12.65	12.60
7	7.50	13.90	13.85
8	8.75	15.15	15.10
9	10.00	16.40	16.35
10	11.25	17.65	17.60
11	12.50	18.90	18.85
12	13.75	20.15	20.10
13	15.00	21.40	21.35
14	16.25	22.65	22.60
15	17.50	23.90	23.85
16	18.75	25.15	25.10
20	23.75	30.15	30.10
30	36.25	42.65	42.60

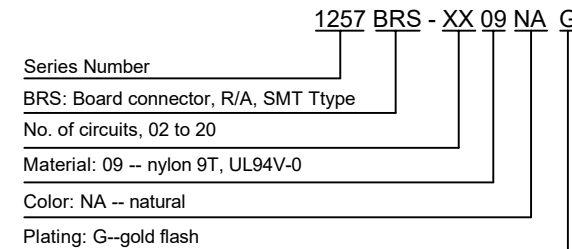


P.C.B. LAYOUT

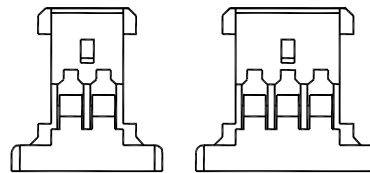
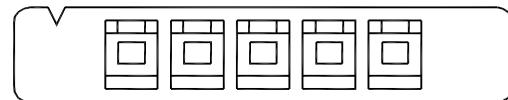
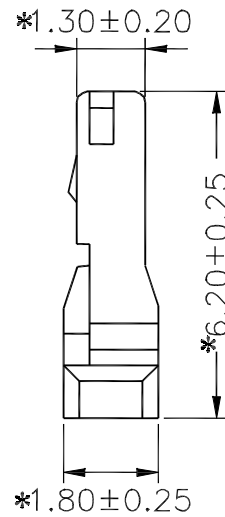
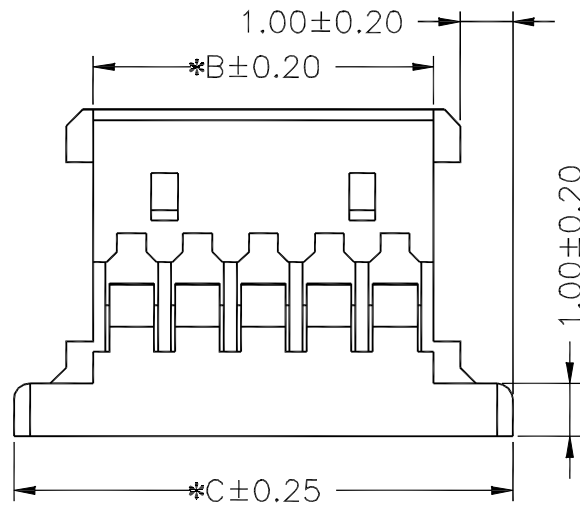
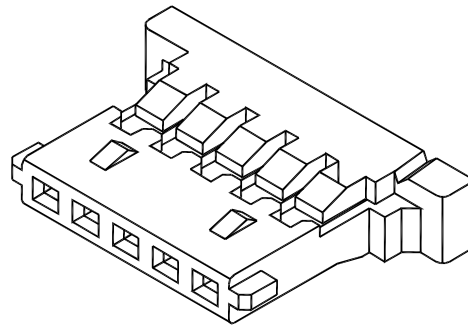
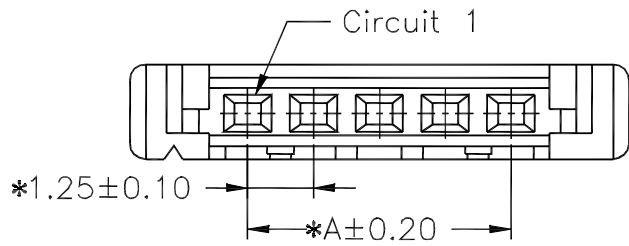
Mates with: 1257W (Single Row Wire Connector)



Part Number Information:



							General Tolerance	Zeakka Electronics				Document No.: ZK-1257BRS		
							.X ±0.3					Title: HEADER, SMT TYPE, SINGLE ROW, 1.25MM PITCH, GOLD FLASH		
							.XX ±0.2	APPR	CH'K	DRWN	Date	Dimensions	Scale	Version
Date	Version	EC No.	Description	DRWN	CH'K	APPR	.XXX ±0.1	Kai Lee	Cris Wang	Jun Wei	2020.8.7	mm	1:1	A
							THIRD ANGLE PROJECTION							



02P

03P

Specifications:

Current Rating: 1A AC/DC
 Voltage rating: 125V AC/DC
 Temperature range: -25°C to +85°C
 Contact resistance: 20mΩ max.
 Insulation resistance: 100M min.
 Withstand voltage: 500V AC/minute

Material:

Housing: nylon 66, UL94V-0, white

Mates with: 1257BRS (single row header)

Used with: 1257TF-PT (female terminal)

Part Number Information:

1257 W - XX 00 WH

Series Number

W: Wire Connector

No. of circuits, 02 to 20

Material: 00 -- nylon 66, UL94V-0

Color: WH -- white

Circuits	A	B	C
2	1.25	2.72	5.72
3	2.50	3.97	6.97
4	3.75	5.22	8.22
5	5.00	6.47	9.47
6	6.25	7.72	10.72
7	7.50	8.97	11.97
8	8.75	10.22	13.22
9	10.00	11.47	14.47
10	11.25	12.72	15.72
11	12.50	13.97	16.97
12	13.75	15.22	18.22
13	15.00	16.47	19.47
14	16.25	17.72	20.72
15	17.50	18.97	21.97
16	18.75	20.22	23.22
20	23.75	25.22	28.22
30	36.25	37.72	40.72

General Tolerance

.X ±0.3

.XX ±0.2

.XXX ±0.1

THIRD ANGLE PROJECTION

Zeakka Electronics

Document No.: ZK-1257W

Title: HOUSING, CRIMP TYPE, SINGLE ROW, 1.25MM PITCH

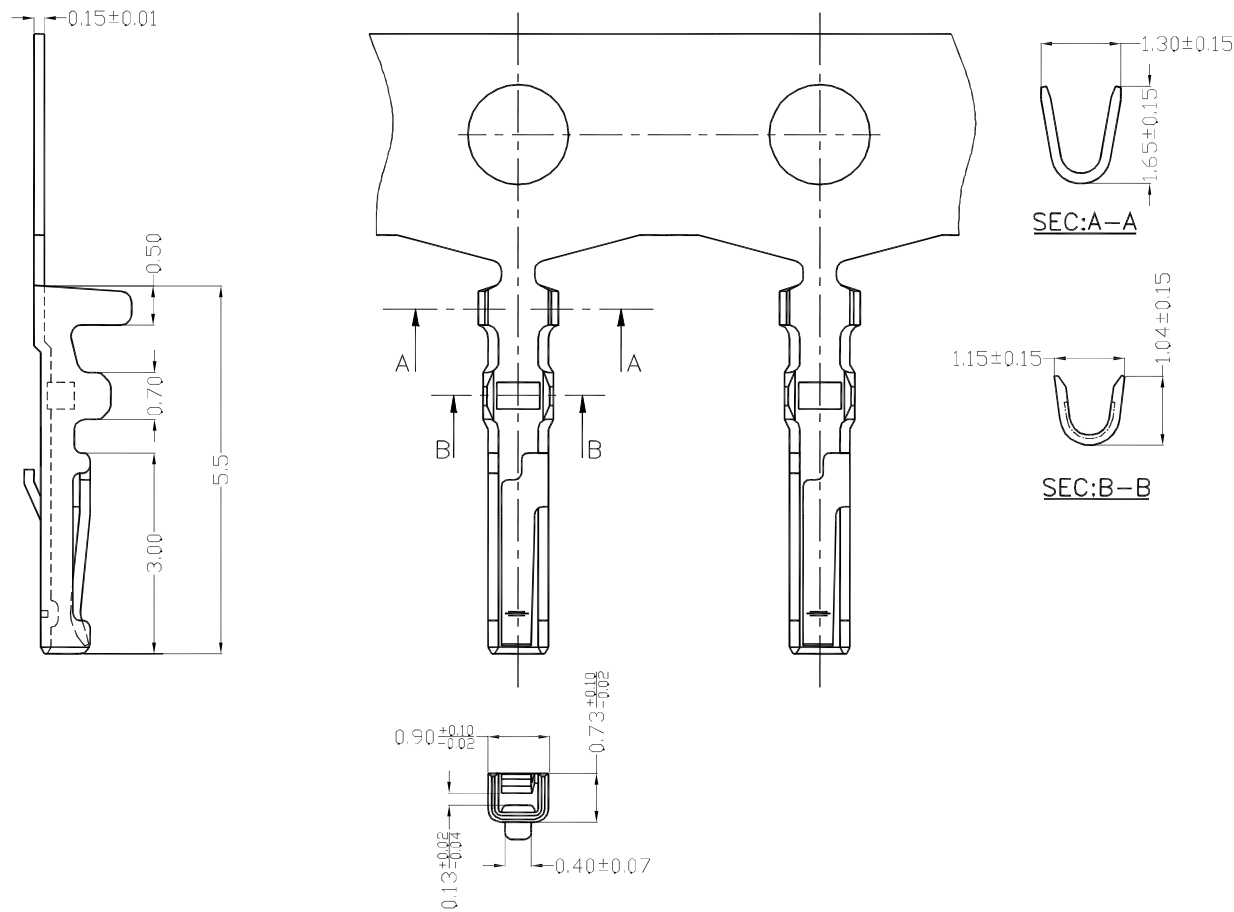
APPR CH'K DRWN Date

Dimensions Scale Version

Date Version EC No. Description DRWN CH'K APPR

Kai Lee Cris Wang Jun Wei 2020.8.7

mm 1:1 A



Specifications:

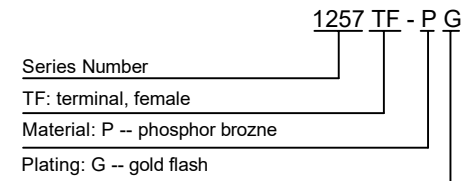
Current Rating: 1A AC/DC
 Voltage rating: 125V AC/DC
 Temperature range: -25°C to +85°C
 Contact resistance: 20mΩ max.
 Insulation resistance: 100M min.
 Withstand voltage: 500V AC/minute
 Applicable wire: AWG32 - AWG28
 Insulation OD: max 0.90mm
 Package: 15000pcs / reel

Material:

Phosphor bronze

Used with: 1257W (female housing)

Part Number Information:



							General Tolerance	Zeakka Electronics				Document No.: ZK-1257TF		
							.X ±0.3					Title: TERMINAL, CRIMP TYPE, PHOSPHOR BRONZE, GOLD FLASH, REEL		
							.XX ±0.2					APPR	CH'K	DRWN
Date	Version	EC No.	Description	DRWN	CH'K	APPR	.XXX ±0.1	Kai Lee	Cris Wang	Jun Wei	2020.8.7	mm	1:1	A
							THIRD ANGLE PROJECTION	⊕	≡					