

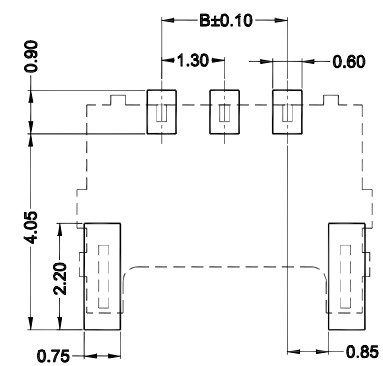
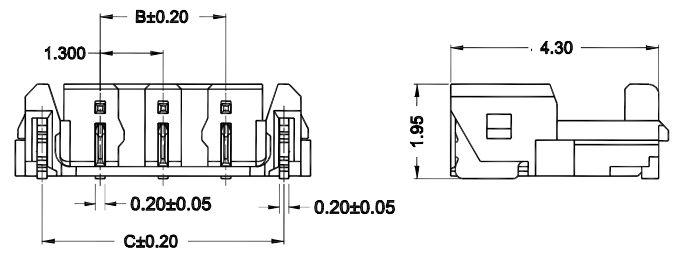
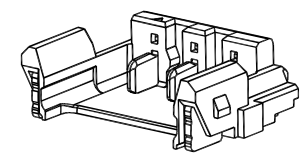
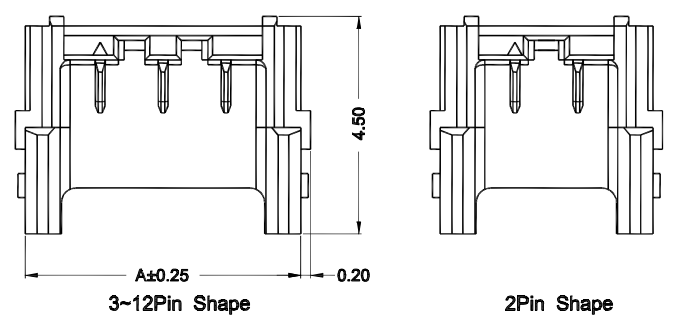
Circuits	Dimensions (mm)		
	A	B	C
2	4.40	1.30	3.70
3	5.70	2.60	5.00
4	7.00	3.90	6.30
5	8.30	5.20	7.60

Specifications:

Current Rating: 2.0A AC/DC
Voltage rating: 30V AC/DC
Temperature range: -25°C to +85°C
Contact resistance: 20mΩ max.
Insulation resistance: 100MΩ min.
Withstand voltage: 500V AC/minute
Package: tape & reel

Material:

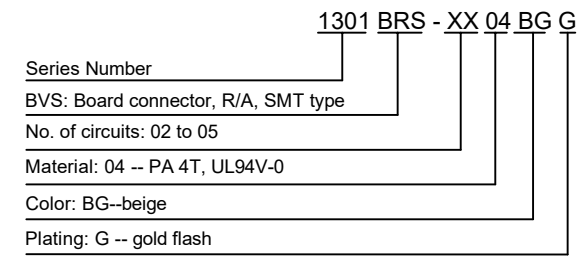
Housing: PA 4T, UL94V-0, beige
PIN: brass
Solder tab: brass



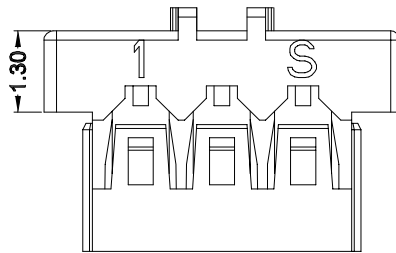
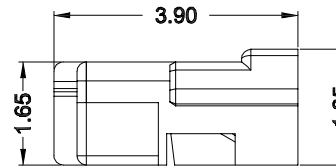
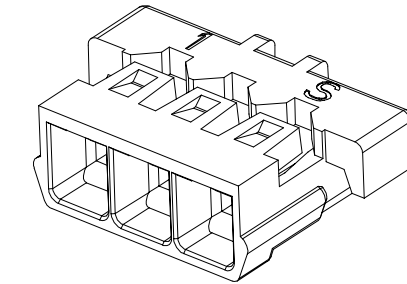
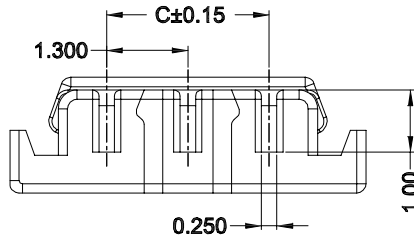
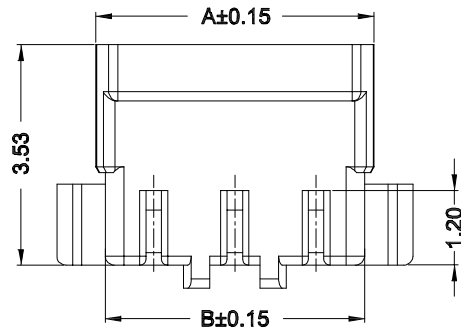
Recommended P.C.B Layout
General Tolerance±0.05

Mates with: 1301W (wire connector)

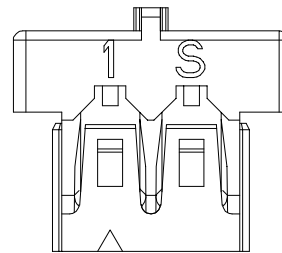
Part Number Information:



							General Tolerance	Zeakka Electronics				Document No.: ZK-1301BRS		
							.X ±0.3					Title: HEADER, R/A, SMT TYPE, SINGLE ROW, 1.30MM PITCH, GOLD FLASH		
							.XX ±0.2	APPR	CH'K	DRWN	Date	Dimensions	Scale	Version
							.XXX ±0.1	Kai Lee	Cris Wang	Jun Wei	2020.8.8	mm	1:1	A
Date	Version	EC No.	Description	DRWN	CH'K	APPR	THIRD ANGLE PROJECTION							
							☉							



3~12Pin Shape



2Pin Shape

Circuits	Dimensions (mm)		
	A	B	C
2	3.15	2.85	1.30
3	4.45	4.15	2.60
4	5.75	5.45	3.90
5	7.05	6.75	5.20

Specifications:

Current Rating: 2.0A AC/DC
 Voltage rating: 30V AC/DC
 Temperature range: -25°C to +85°C
 Contact resistance: 20mΩ max.
 Insulation resistance: 100MΩ min.
 Withstand voltage: 500V AC/minute

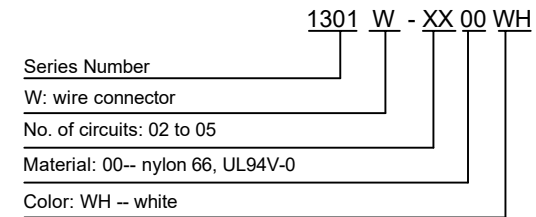
Material:

Housing: nylon 66, UL94V-0, white

Mates with: 1301BRS (header, R/A, SMT type)

Used with: 1301TF-PG (terminal)

Part Number Information:



							General Tolerance	Zeakka Electronics				Document No.: ZK-1301W		
							.X ±0.3					Title: HOUSING, CRIMP TYPE, SINGLE ROW, 1.30MM PITCH		
							.XX ±0.2	APPR	CH'K	DRWN	Date	Dimensions	Scale	Version
Date	Version	EC No.	Description	DRWN	CH'K	APPR	.XXX ±0.1	Kai Lee	Cris Wang	Jun Wei	2020.8.8	mm	1:1	A
							THIRD ANGLE PROJECTION							

Specifications:

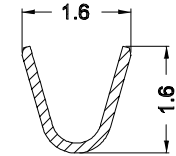
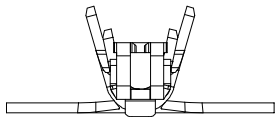
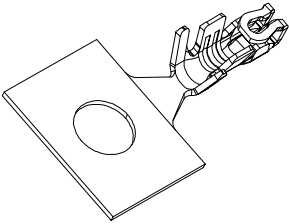
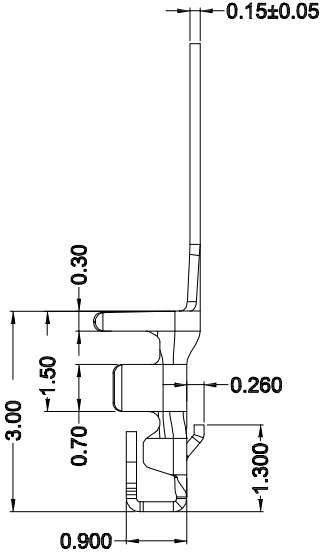
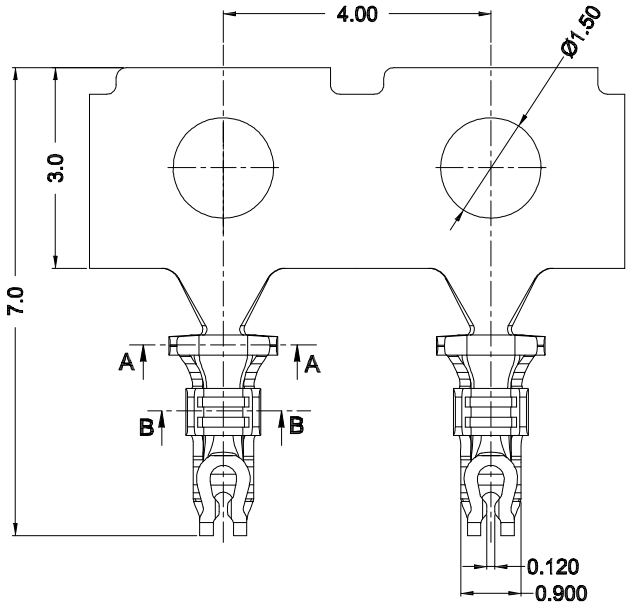
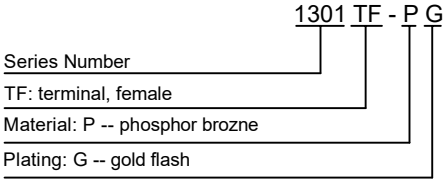
Current Rating: 2.0A AC/DC
 Voltage rating: 30V AC/DC
 Temperature range: -25°C to +85°C
 Contact resistance: 20mΩ max.
 Insulation resistance: 100MΩ min.
 Withstand voltage: 500V AC/minute
 Applicable wire: AWG28 - AWG26
 Insulation OD: max 0.98mm
 Package: reel

Material:

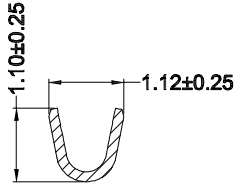
Phosphor bronze

Used with: 1301W (wire connector)

Part Number Information:



SECTION A-A
SCALE 1:1



SECTION B-B
SCALE 1:1

							General Tolerance	Zeakka Electronics				Document No.: ZK-1301TF						
							.X ±0.3					Title: TERMINAL, FEMALE, CRIMP TYPE, PHOSPHOR BRONZE, GOLD FLASH, REEL						
							.XX ±0.2					APPR	CH'K	DRWN	Date	Dimensions	Scale	Version
							.XXX ±0.1					Kai Lee	Cris Wang	Jun Wei	2020.8.8	mm	1:1	A
Date	Version	EC No.	Description	DRWN	CH'K	APPR	THIRD ANGLE PROJECTION											