

Specifications:

Current Rating: 3.0A AC/DC
 Voltage rating: 150V AC/DC
 Temperature range: -25°C to +85°C
 Contact resistance: 20mΩ max.
 Insulation resistance: 1000MΩ min.
 Withstand voltage: 500V AC/minute
 Package: 1000pcs / bag

Material:

Housing: nylon 66, UL94V-0, black

Mates with: 1504BRS (header, R/A, SMT type)

Used with: 1504TF-PX (female terminal)

Part Number Information:

Series Number: 1504
 W: wire connector
 No. of circuits, 02 to 12: XX
 Material: 00-- nylon 66, UL94V-0
 Color: BK -- black

Circuits	A	B	C	D	E	F
2	6.95	1.50	5.95	5.55	3.45	5.65
3	8.45	3.00	7.45	7.05	4.95	7.15
4	9.95	4.50	8.95	8.55	6.45	8.65
5	11.45	6.00	10.45	10.05	7.95	10.15
6	12.95	7.50	11.95	11.55	9.45	11.65
7	14.45	9.00	13.45	13.05	10.95	13.15
8	15.95	10.50	14.95	14.55	12.45	14.65
9	17.45	12.00	16.45	16.05	13.95	16.15
10	18.95	13.50	17.95	17.55	15.45	17.65
11	20.45	15.00	19.45	19.05	16.95	19.15
12	21.95	16.50	20.95	20.55	18.45	20.65

							General Tolerance	Zeakka Electronics				Document No.: ZK-1504W		
							.X ±0.3					Title: HOUSING, FEMALE, CRIMP TYPE, SINGLE ROW, 1.50MM PITCH		
							.XX ±0.2	APPR	CH'K	DRWN	Date	Dimensions	Scale	Version
							.XXX ±0.1	Kai Lee	Cris Wang	Jun Wei	2020.8.7	mm	1:1	A
Date	Version	EC No.	Description	DRWN	CH'K	APPR	THIRD ANGLE PROJECTION							

Specifications:

Current Rating: 3.0A AC/DC
 Voltage rating: 150V AC/DC
 Temperature range: -25°C to +85°C
 Contact resistance: 20mΩ max.
 Insulation resistance: 1000MΩ min.
 Withstand voltage: 500V AC/minute
 Applicable wire: AWG30 - AWG28
 Insulation OD: max 1.1mm
 Package: 10000pcs / reel

Material:

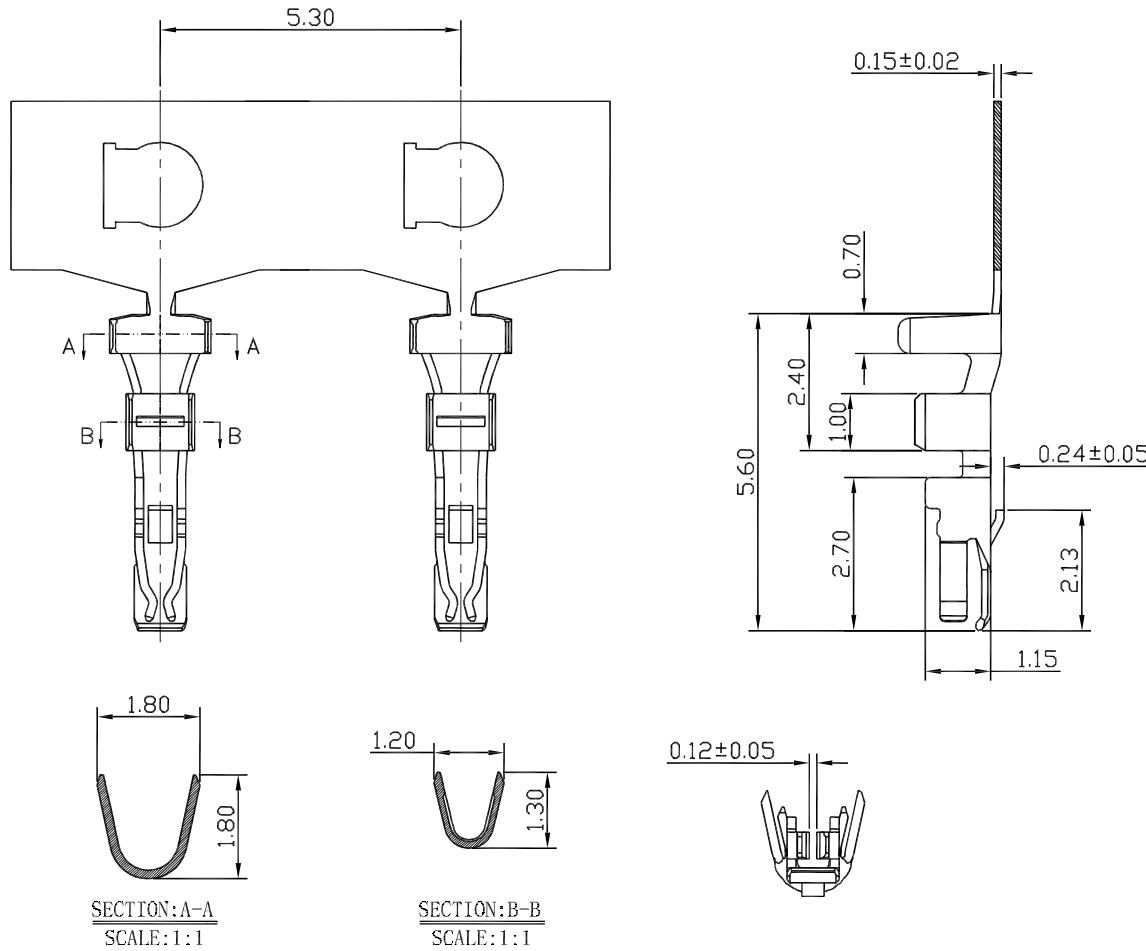
Phosphor bronze

Used with: 1504W (wire connector)

Part Number Information:

1504 TF - P X

Series Number _____
 TF: terminal, female _____
 Material: P -- phosphor bronze _____
 Plating: T -- tin plating, G -- gold flash _____



							General Tolerance	<h1>Zeakka Electronics</h1>				Document No.: ZK-1504TF			
							.X ±0.3					Title: TERMINAL, FEMALE, CRIMP TYPE, PHOSPHOR BRONZE, REEL			
							.XX ±0.2					APPR	CH'K	DRWN	Date
Date	Version	EC No.	Description	DRWN	CH'K	APPR	.XXX ±0.1	THIRD ANGLE PROJECTION	Kai Lee	Cris Wang	Jun Wei	2020.8.7	mm	1:1	A