

### Specifications:

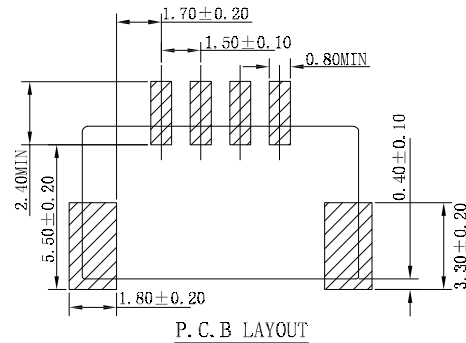
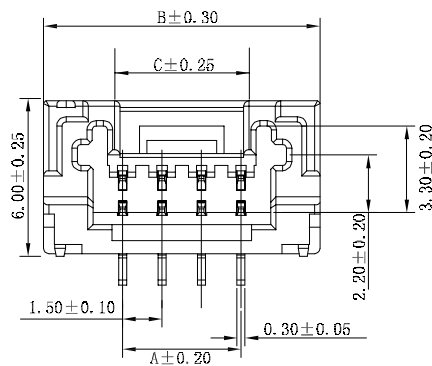
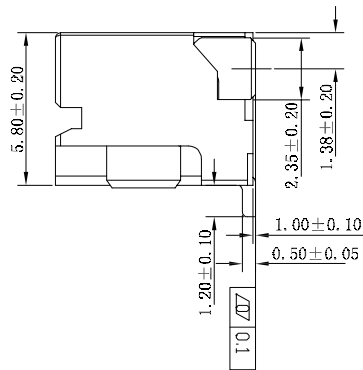
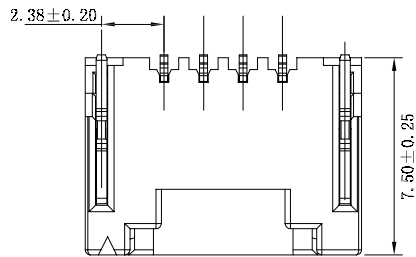
Current Rating: 2.0A AC/DC  
 Voltage rating: 100V AC/DC  
 Temperature range: -25°C to +85°C  
 Contact resistance: 20mΩ max.  
 Insulation resistance: 500MΩ min.  
 Withstand voltage: 500V AC/minute  
 Package: tape & reel

### Material:

Housing: nylon 9T, UL94V-0, beige  
 PIN: phosphor bronze  
 Solder tab: phosphor bronze

Mates with: 1507W (wire connector)

Circuits	Dimensions (mm)		
	A	B	C
2	1.50	7.50	2.20
3	3.00	9.00	3.00
4	4.50	10.50	4.70
5	6.00	12.00	5.70
6	7.50	13.50	5.70
7	9.00	15.00	7.70
8	10.50	16.50	8.40
9	12.00	18.00	10.60
10	13.50	19.50	11.50
11	15.00	21.00	11.50
12	16.50	22.50	11.50
13	18.00	24.00	11.60
14	19.50	25.50	11.60
15	21.00	27.00	11.60
16	22.50	28.50	11.60



### Part Number Information:

**1507 BVS - XX 09 BG T**

Series Number: 1507  
 BVS: Board connector, vertical, SMT type  
 No. of circuits: 02 to 16  
 Material: 09 -- nylon 9T, UL94V-0  
 Color: BG--beige  
 Plating: T-- tin plating

#### General Tolerance

.X ±0.3  
 .XX ±0.2  
 .XXX ±0.1

# Zeakka Electronics

Document No.: ZK-1507BVS

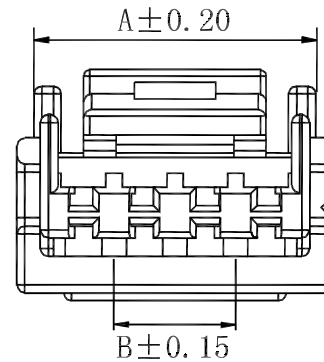
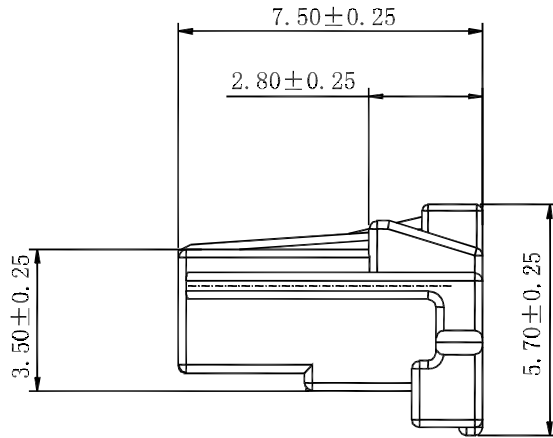
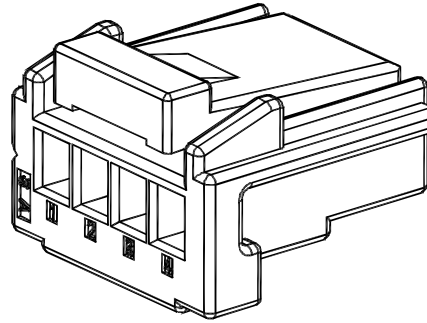
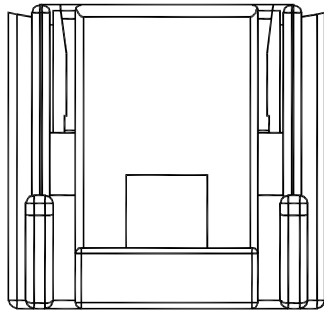
Title: HEADER, VERTICAL, SMT TYPE, SINGLE ROW, 1.5MM PITCH, TIN

APPR Kai Lee  
 CH'K Cris Wang  
 DRWN Jun Wei  
 Date 2020.8.8

Dimensions	Scale	Version
mm	1:1	A

Date	Version	EC No.	Description	DRWN	CH'K	APPR

THIRD ANGLE PROJECTION



Circuits	Dimensions (mm)	
	A	B
2	5.00	1.50
3	6.30	3.00
4	7.80	4.50
5	9.30	6.00
6	10.80	7.50
7	12.30	9.00
8	13.80	10.50
9	15.30	12.00
10	16.80	13.50
11	18.30	15.00
12	19.80	16.50
13	21.30	18.00
14	22.80	19.50
15	24.30	21.00
16	25.80	22.50

**Specifications:**

Current Rating: 2.0A AC/DC  
 Voltage rating: 100V AC/DC  
 Temperature range: -25°C to +85°C  
 Contact resistance: 20mΩ max.  
 Insulation resistance: 500MΩ min.  
 Withstand voltage: 500V AC/minute

**Material:**

Housing: PBT, UL94V-0, white

**Mates with:** 1507BVS (header, vertical, SMT type)

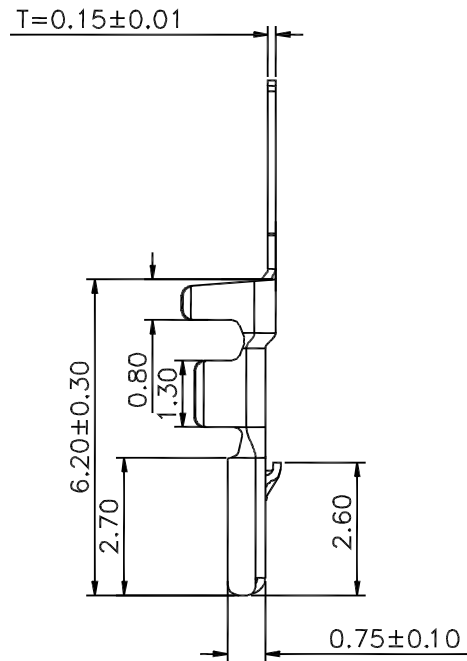
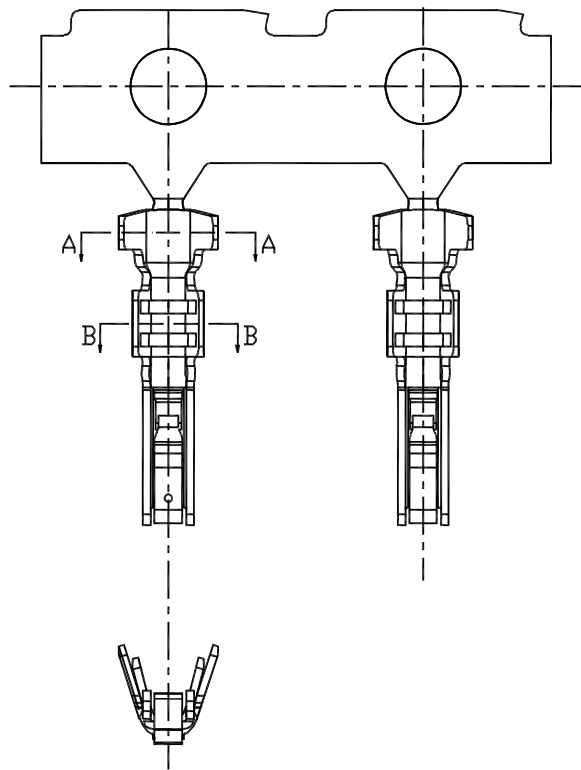
**Used with:** 1507TF-PT (female terminal)  
 1507TFH-PT (female terminal, high crimp height)

**Part Number Information:**

1507 W - XX 05 WH

Series Number: 1507  
 W: wire connector  
 No. of circuits: 02 to 16  
 Material: 05-- PBT, UL94V-0  
 Color: WH -- white

							General Tolerance	Zeakka Electronics				Document No.: ZK-1507W			
							.X ±0.3					Title: HOUSING, FEMALE, CRIMP TYPE, SINGLE ROW, 1.5MM PITCH			
							.XX ±0.2	APPR	CH'K	DRWN	Date	Dimensions	Scale	Version	
Date	Version	EC No.	Description	DRWN	CH'K	APPR	.XXX ±0.1	Kai Lee	Cris Wang	Jun Wei	2020.8.8	mm	1:1	A	
							THIRD ANGLE PROJECTION								



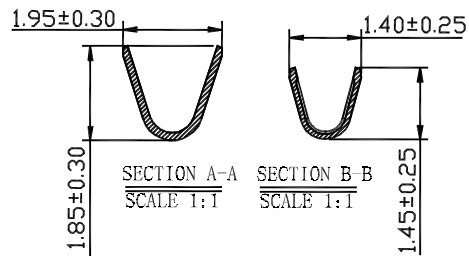
**Specifications:**

Current Rating: 2.0A AC/DC  
 Voltage rating: 100V AC/DC  
 Temperature range: -25°C to +85°C  
 Contact resistance: 20mΩ max.  
 Insulation resistance: 500MΩ min.  
 Withstand voltage: 500V AC/minute  
 Applicable wire: AWG30 - AWG24  
 Package: reel

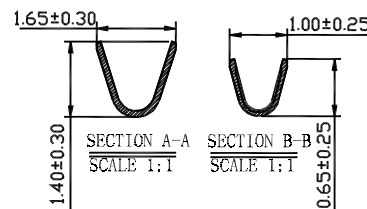
**Material:**

Phosphor bronze

Used with: 1507W (wire connector)

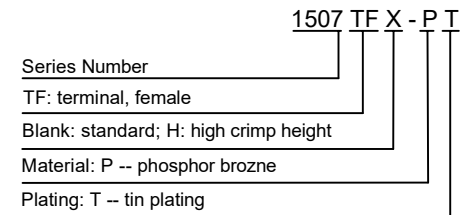


high crimp height type



standard type

**Part Number Information:**



							General Tolerance	Zeakka Electronics				Document No.: ZK-1507TF			
							.X ±0.3					Title: TERMINAL, FEMALE, CRIMP TYPE, PHOSPHOR BRONZE, TIN, REEL			
							.XX ±0.2					APPR	CH'K	DRWN	Date
Date	Version	EC No.	Description	DRWN	CH'K	APPR	.XXX ±0.1	THIRD ANGLE PROJECTION	Kai Lee	Cris Wang	Jun Wei	2020.8.8	mm	1:1	A