

Specifications:

Current Rating: 2.0A AC/DC
 Voltage rating: 125V AC/DC
 Temperature range: -25°C to +85°C
 Contact resistance: 20mΩ max.
 Insulation resistance: 1000MΩ min.
 Withstand voltage: 500V AC/minute

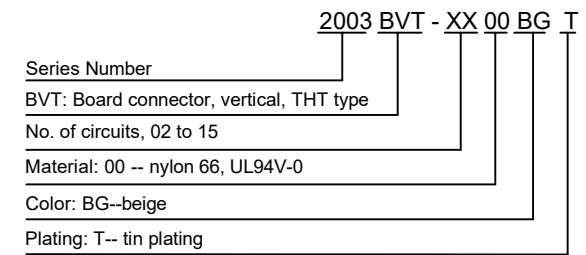
Material:

Housing: nylon 66, UL94V-0, beige
 PIN: phosphor bronze

Circuits	Dimensions (mm)	
	A	B
2	2.00	6.00
3	4.00	8.00
4	6.00	10.00
5	8.00	12.00
6	10.00	14.00
7	12.00	16.00
8	14.00	18.00
9	16.00	20.00
10	18.00	22.00
11	20.00	24.00
12	22.00	26.00
13	24.00	28.00
14	26.00	30.00
15	28.00	32.00

Mates with: 2003W (wire connector, female, single row)

Part Number Information:



							General Tolerance	Zeakka Electronics				Document No.: ZK-2003BVT		
							.X ±0.3					Title: HEADER, VERTICAL, THT TYPE, SINGLE ROW, 2.0MM PITCH, TIN		
							.XX ±0.2	APPR	CH'K	DRWN	Date	Dimensions	Scale	Version
Date	Version	EC No.	Description	DRWN	CH'K	APPR	.XXX ±0.1	Kai Lee	Cris Wang	Jun Wei	2020.8.7	mm	1:1	A
							THIRD ANGLE PROJECTION							

Specifications:

Current Rating: 2.0A AC/DC
 Voltage rating: 125V AC/DC
 Temperature range: -25°C to +85°C
 Contact resistance: 20mΩ max.
 Insulation resistance: 1000MΩ min.
 Withstand voltage: 500V AC/minute

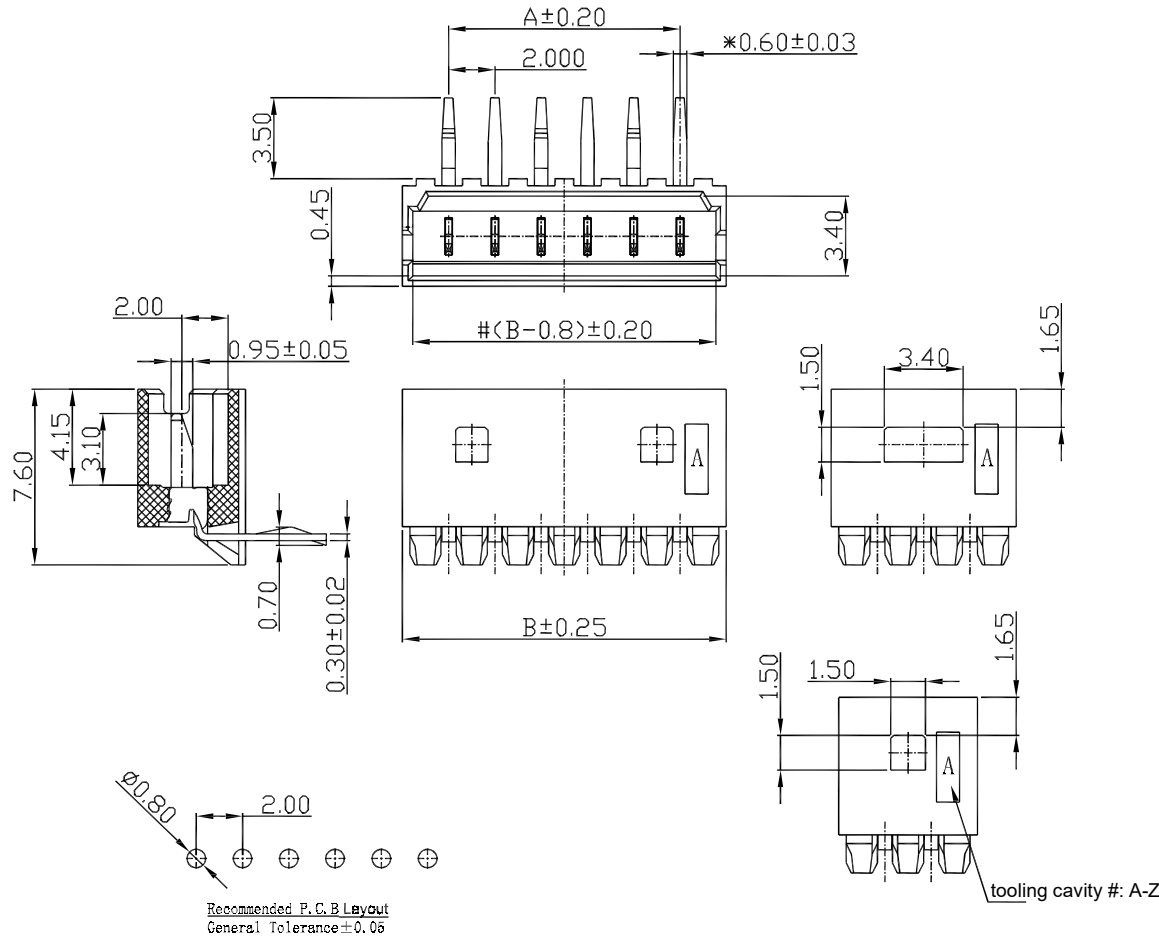
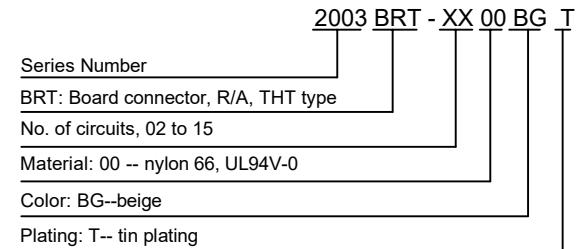
Material:

Housing: nylon 66, UL94V-0, beige
 PIN: brass

Circuits	Dimensions (mm)	
	A	B
2	2.00	6.00
3	4.00	8.00
4	6.00	10.00
5	8.00	12.00
6	10.00	14.00
7	12.00	16.00
8	14.00	18.00
9	16.00	20.00
10	18.00	22.00
11	20.00	24.00
12	22.00	26.00
13	24.00	28.00
14	26.00	30.00
15	28.00	32.00

Mates with: 2003W (wire connector, female, single row)

Part Number Information:



							General Tolerance	Zeakka Electronics				Document No.: ZK-2003BRT		
							.X ± 0.3					Title: HEADER, R/A, THT TYPE, SINGLE ROW, 2.0MM PITCH, TIN		
							.XX ± 0.2	APPR	CH'K	DRWN	Date	Dimensions	Scale	Version
Date	Version	EC No.	Description	DRWN	CH'K	APPR	.XXX ± 0.1	Kai Lee	Cris Wang	Jun Wei	2020.8.7	mm	1:1	A
							THIRD ANGLE PROJECTION							

Circuits	Dimensions (mm)	
	A	B
2	2.00	5.00
3	4.00	7.00
4	6.00	9.00
5	8.00	11.00
6	10.00	13.00
7	12.00	15.00
8	14.00	17.00
9	16.00	19.00
10	18.00	21.00
11	20.00	23.00
12	22.00	25.00
13	24.00	27.00
14	26.00	29.00
15	28.00	31.00

Specifications:

Current Rating: 2.0A AC/DC
Voltage rating: 125V AC/DC
Temperature range: -25°C to +85°C
Contact resistance: 20mΩ max.
Insulation resistance: 100MΩ min.
Withstand voltage: 500V AC/minute

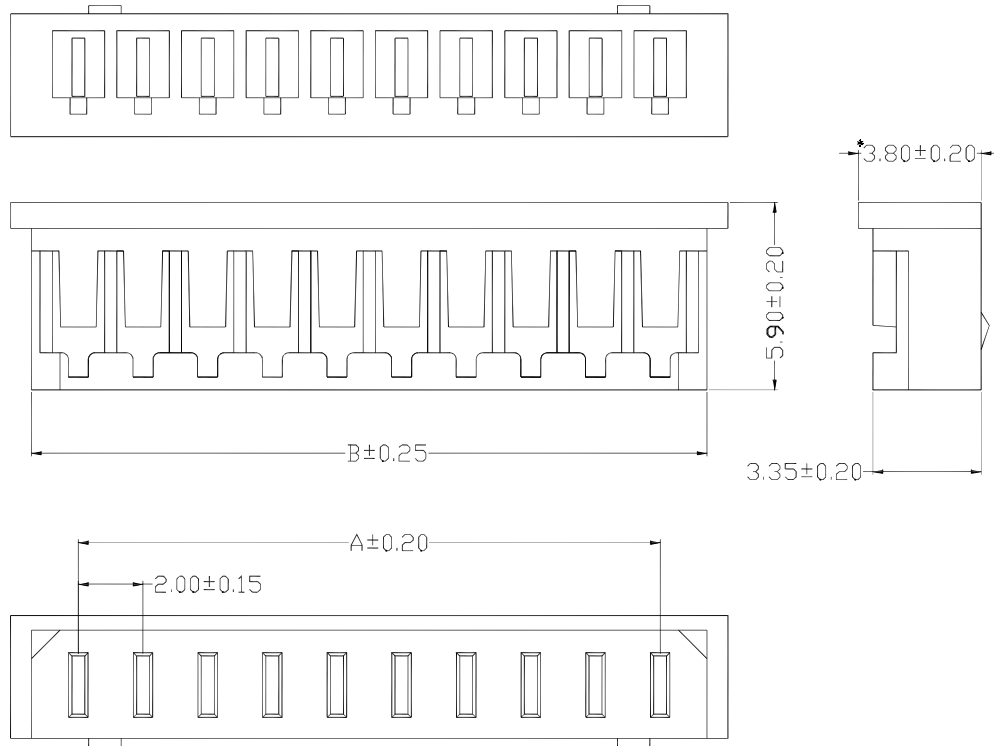
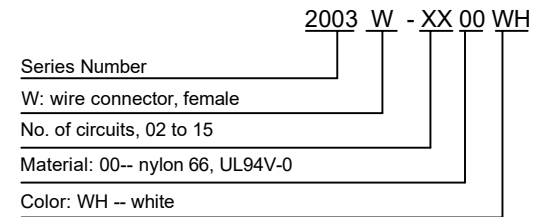
Material:

Housing: nylon 66, UL94V-0, white

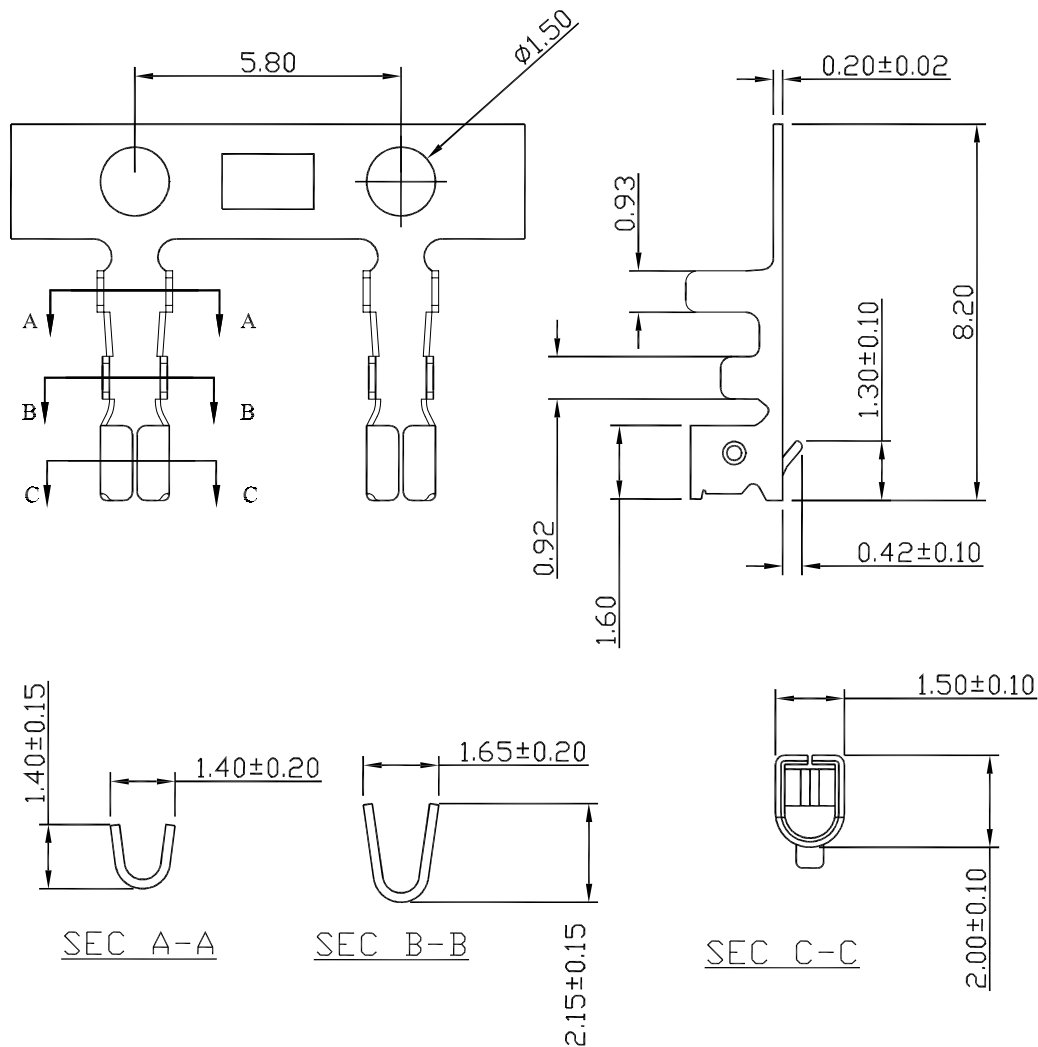
Mates with: 2003BVT (header, vertical, THT type)
2003BRT (header, R/A, THT type)

Used with: 2003TF-PT (female terminal)

Part Number Information:



							General Tolerance	Zeakka Electronics				Document No.: ZK-2003W		
							.X ±0.3					Title: HOUSING, FEMALE, CRIMP TYPE, SINGLE ROW, 2.0MM PITCH		
							.XX ±0.2	APPR	CH'K	DRWN	Date	Dimensions	Scale	Version
Date	Version	EC No.	Description	DRWN	CH'K	APPR	.XXX ±0.1	Kai Lee	Cris Wang	Jun Wei	2020.8.7	mm	1:1	A
							THIRD ANGLE PROJECTION							



Specifications:

Current Rating: 2.0A AC/DC
 Voltage rating: 125V AC/DC
 Temperature range: -25°C to +85°C
 Contact resistance: 20mΩ max.
 Insulation resistance: 1000MΩ min.
 Withstand voltage: 500V AC/minute
 Applicable wire: AWG30 - AWG24
 Insulation OD: max 1.45mm
 Package: 10000pcs / reel

Material:

Phosphor bronze

Used with: 1251WF (female housing)

Part Number Information:

Series Number: 2003 TF - P T
 TF: terminal, female
 Material: P -- phosphor bronze
 Plating: T -- tin plating

							General Tolerance	Zeakka Electronics				Document No.: ZK-2003TF		
							.X ±0.3					Title: TERMINAL, FEMALE, CRIMP TYPE, PHOSPHOR BRONZE, TIN, REEL		
							.XX ±0.2	APPR	CH'K	DRWN	Date	Dimensions	Scale	Version
Date	Version	EC No.	Description	DRWN	CH'K	APPR	.XXX ±0.1	Kai Lee	Cris Wang	Jun Wei	2020.8.7	mm	1:1	A
							THIRD ANGLE PROJECTION							