

Circuits	Dimensions (mm)	
	A	B
2	2.00	6.00
3	4.00	8.00
4	6.00	10.00
5	8.00	12.00
6	10.00	14.00
7	12.00	16.00
8	14.00	18.00
9	16.00	20.00
10	18.00	22.00
11	20.00	24.00
12	22.00	26.00
13	24.00	28.00
14	26.00	30.00
15	28.00	32.00

Specifications:

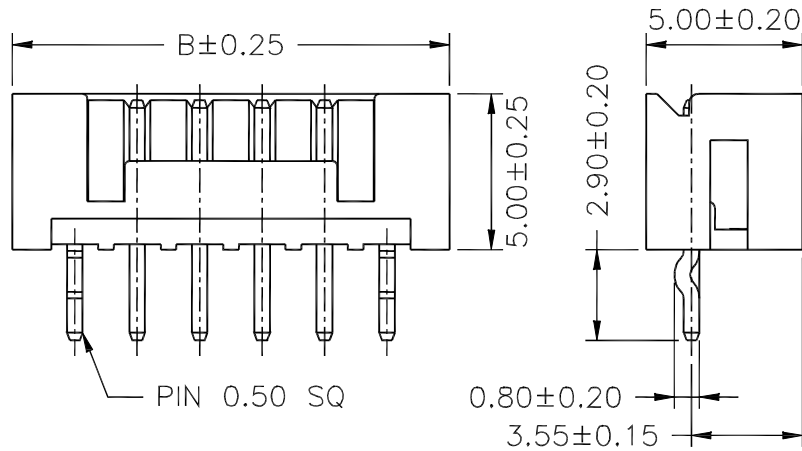
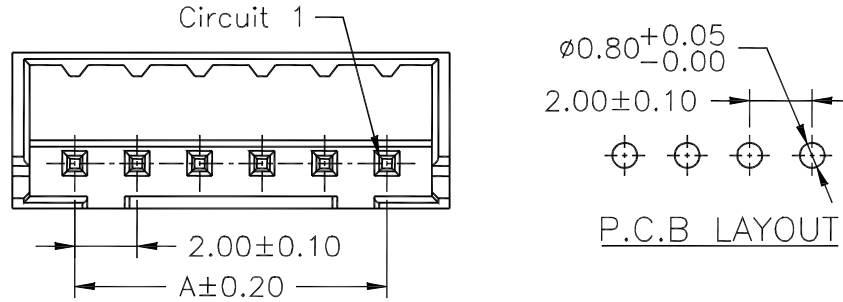
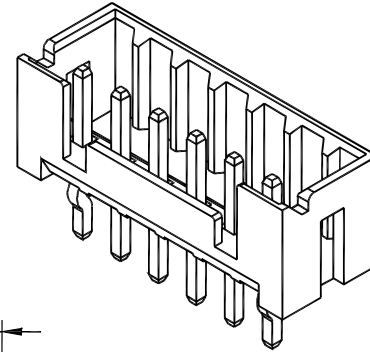
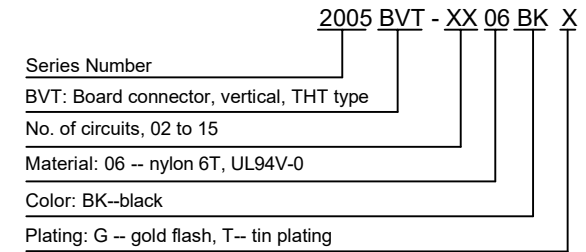
Current Rating: 3.0A AC/DC
Voltage rating: 250V AC/DC
Temperature range: -25°C to +85°C
Contact resistance: 30mΩ max.
Insulation resistance: 1000MΩ min.
Withstand voltage: 650V AC/minute

Material:

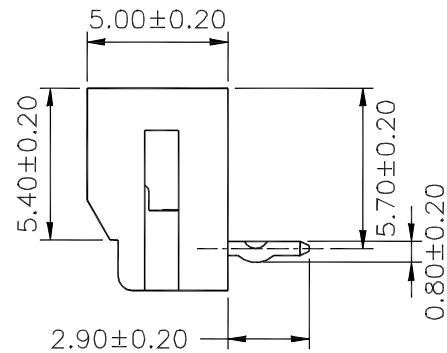
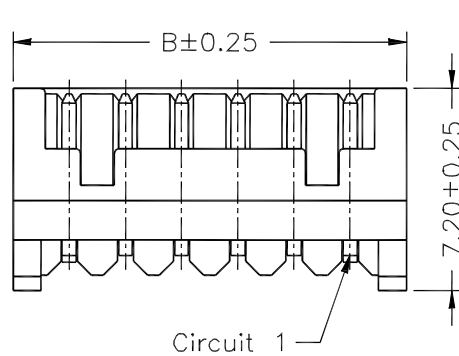
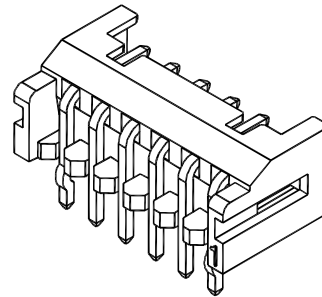
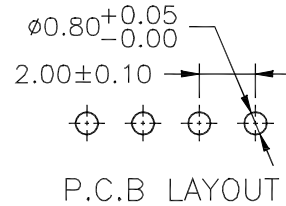
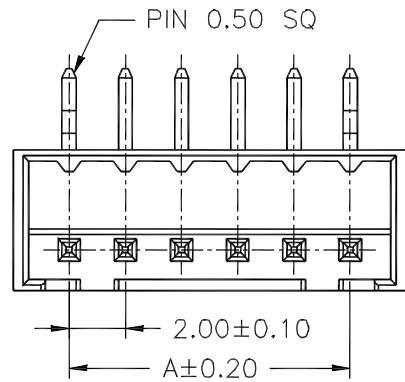
Housing: nylon 6T, UL94V-0, black
PIN: brass

Mates with: 2005W (wire connector)

Part Number Information:



							General Tolerance	Zeakka Electronics				Document No.: ZK-2005BVT		
							.X ±0.3					Title: HEADER, VERTICAL, THT TYPE, SINGLE ROW, 2.0MM PITCH		
							.XX ±0.2	APPR	CH'K	DRWN	Date	Dimensions	Scale	Version
Date	Version	EC No.	Description	DRWN	CH'K	APPR	.XXX ±0.1	Kai Lee	Cris Wang	Jun Wei	2020.8.8	mm	1:1	A
							THIRD ANGLE PROJECTION							



Specifications:

Current Rating: 3.0A AC/DC
 Voltage rating: 250V AC/DC
 Temperature range: -25°C to +85°C
 Contact resistance: 30mΩ max.
 Insulation resistance: 1000MΩ min.
 Withstand voltage: 650V AC/minute

Material:

Housing: nylon 6T, UL94V-0, black
 PIN: brass

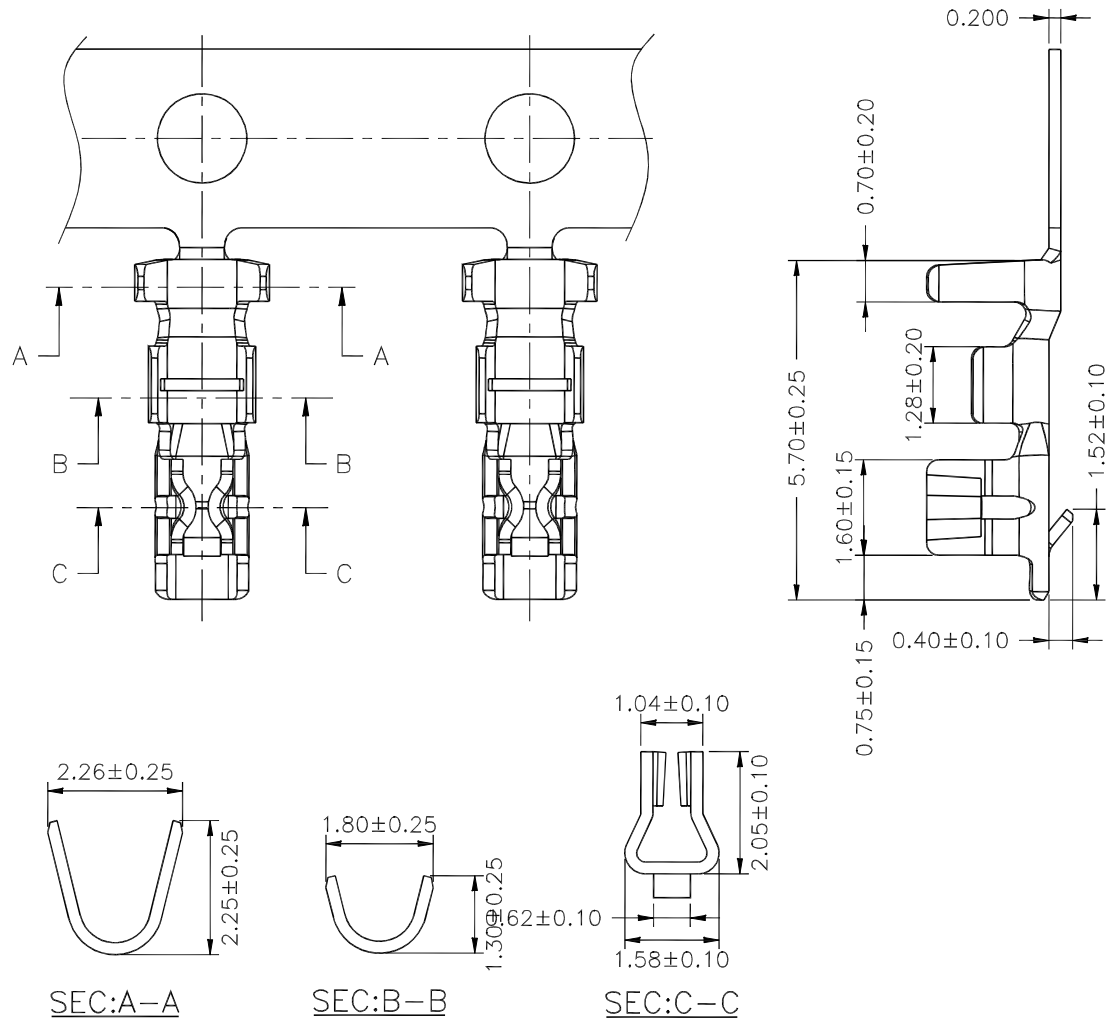
Circuits	Dimensions (mm)	
	A	B
2	2.00	6.00
3	4.00	8.00
4	6.00	10.00
5	8.00	12.00
6	10.00	14.00
7	12.00	16.00
8	14.00	18.00
9	16.00	20.00
10	18.00	22.00
11	20.00	24.00
12	22.00	26.00
13	24.00	28.00
14	26.00	30.00
15	28.00	32.00

Mates with: 2005W (wire connector)

Part Number Information:

Series Number: 2005 BRT - XX 06 BK G
 BRT: Board connector, R/A, THT type
 No. of circuits, 02 to 15
 Material: 06 -- nylon 6T, UL94V-0
 Color: BK--black
 Plating: G -- gold flash

Date	Version	EC No.	Description	DRWN	CH'K	APPR	General Tolerance	Zeakka Electronics				Document No.:	ZK-2005BRT	
							.X ±0.3	APPR	CH'K	DRWN	Date	Dimensions	Scale	Version
							.XX ±0.2	Kai Lee	Cris Wang	Jun Wei	2020.8.8	mm	1:1	A
							.XXX ±0.1							
							THIRD ANGLE PROJECTION							



Specifications:

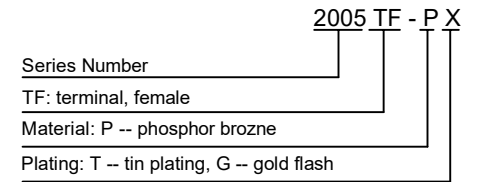
Current Rating: 3.0A AC/DC
 Voltage rating: 250V AC/DC
 Temperature range: -25°C to +85°C
 Contact resistance: 30mΩ max.
 Insulation resistance: 1000MΩ min.
 Withstand voltage: 650V AC/minute
 Applicable wire: AWG28 - AWG22
 Insulation OD: max 1.45mm

Material:

Phosphor bronze

Used with: 2005W (wire connector)

Part Number Information:



							General Tolerance	Zeakka Electronics				Document No.: ZK-2005TF						
							.X ±0.3					Title: TERMINAL, FEMALE, CRIMP TYPE, PHOSPHOR BRONZE, REEL						
							.XX ±0.2					APPR	CH'K	DRWN	Date	Dimensions	Scale	Version
							.XXX ±0.1					Kai Lee	Cris Wang	Jun Wei	2020.8.8	mm	1:1	A
Date	Version	EC No.	Description	DRWN	CH'K	APPR	THIRD ANGLE PROJECTION											