

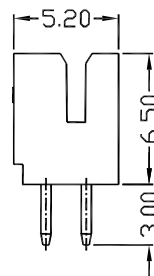
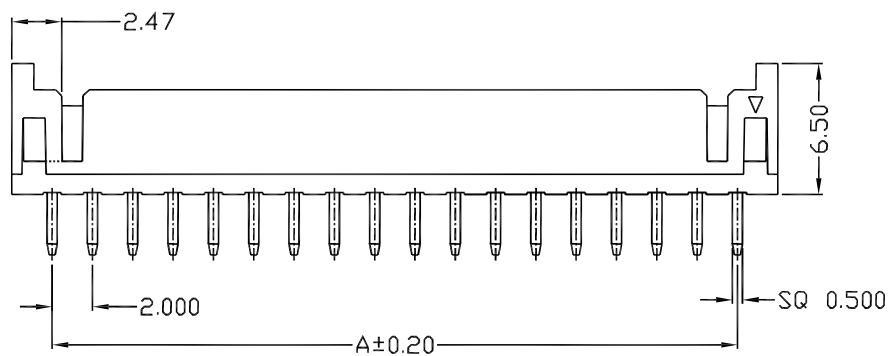
**Specifications:**

Current Rating: 3.0A AC/DC  
 Voltage rating: 250V AC/DC  
 Temperature range: -25°C to +85°C  
 Contact resistance: 10mΩ max.  
 Insulation resistance: 1000MΩ min.  
 Withstand voltage: 800V AC/minute

**Material:**

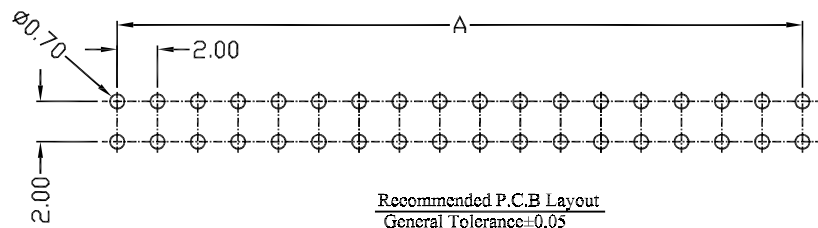
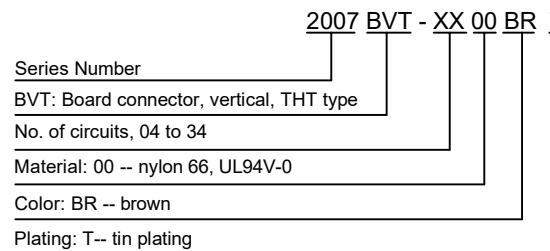
Housing: nylon 66, UL94V-0, brown  
 PIN: brass

Circuits	Dimensions (mm)	
	A	B
4	2.00	6.00
6	4.00	8.00
8	6.00	10.00
10	8.00	12.00
12	10.00	14.00
14	12.00	16.00
16	14.00	18.00
18	16.00	20.00
20	18.00	22.00
22	20.00	24.00
24	22.00	26.00
26	24.00	28.00
28	26.00	30.00
30	28.00	32.00
32	30.00	34.00
34	32.00	36.00

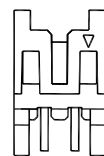
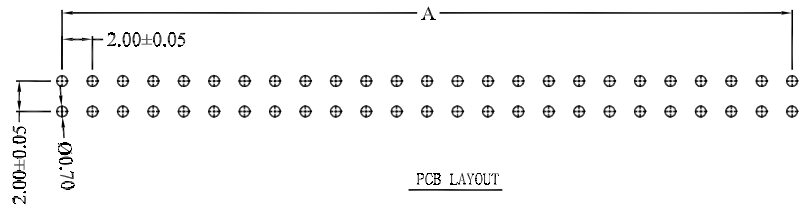
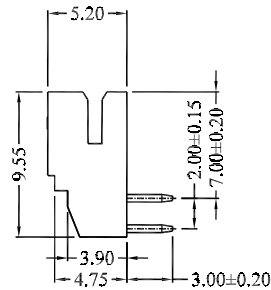
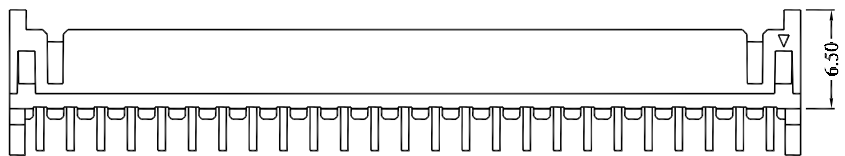
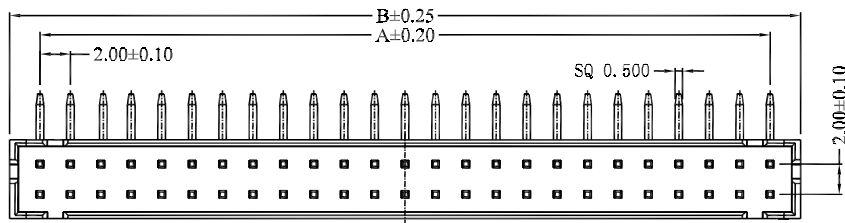


**Mates with:** 2007W (wire connector, female, single row)

**Part Number Information:**



							General Tolerance	Zeakka Electronics				Document No.: ZK-2007BVT		
							.X ±0.3					Title: HEADER, VERTICAL, THT TYPE, SINGLE ROW, 2.0MM PITCH, TIN		
							.XX ±0.2	APPR	CH'K	DRWN	Date	Dimensions	Scale	Version
Date	Version	EC No.	Description	DRWN	CH'K	APPR	.XXX ±0.1	Kai Lee	Cris Wang	Jun Wei	2020.8.8	mm	1:1	A
							THIRD ANGLE PROJECTION							



2X2P

**Specifications:**

Current Rating: 3.0A AC/DC  
 Voltage rating: 250V AC/DC  
 Temperature range: -25°C to +85°C  
 Contact resistance: 10mΩ max.  
 Insulation resistance: 1000MΩ min.  
 Withstand voltage: 800V AC/minute

**Material:**

Housing: nylon 66, UL94V-0, beige  
 PIN: brass

Circuits	Dimensions (mm)	
	A	B
4	2.00	6.00
6	4.00	8.00
8	6.00	10.00
10	8.00	12.00
12	10.00	14.00
14	12.00	16.00
16	14.00	18.00
18	16.00	20.00
20	18.00	22.00
22	20.00	24.00
24	22.00	26.00
26	24.00	28.00
28	26.00	30.00
30	28.00	32.00
32	30.00	34.00
34	32.00	36.00

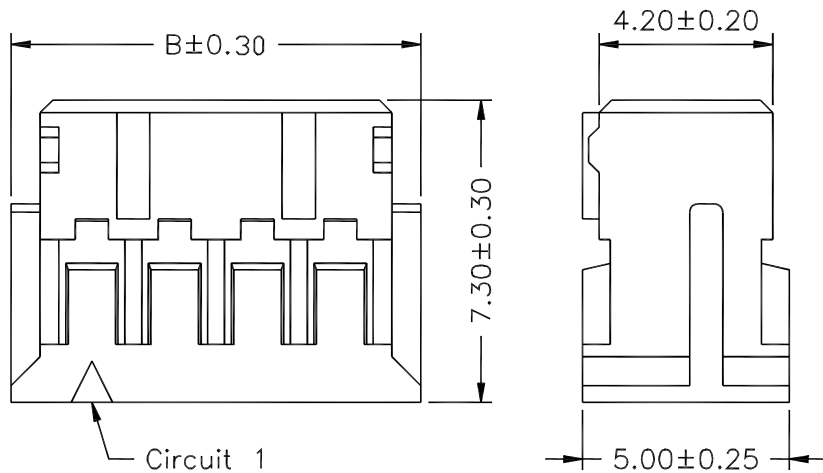
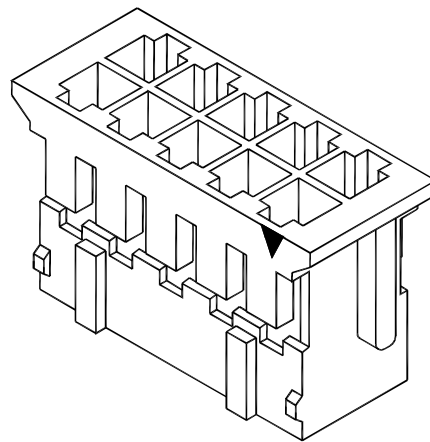
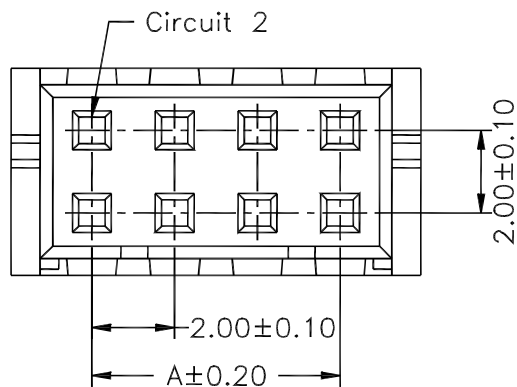
**Mates with:** 2007W (wire connector, female, single row)

**Part Number Information:**

2007 BRT - XX 00 BG T

Series Number  
 BRT: Board connector, R/A, THT type  
 No. of circuits, 04 to 34  
 Material: 00 -- nylon 66, UL94V-0  
 Color: BG--beige  
 Plating: T-- tin plating

							General Tolerance	<b>Zeakka Electronics</b>				Document No.: ZK-2007BRT		
							.X ±0.3					Title: HEADER, R/A, THT TYPE, SINGLE ROW, 2.0MM PITCH, TIN		
							.XX ±0.2					APPR	CH'K	DRWN
Date	Version	EC No.	Description	DRWN	CH'K	APPR	.XXX ±0.1	Kai Lee	Cris Wang	Jun Wei	2020.8.8	mm	1:1	A
							THIRD ANGLE PROJECTION							



Circuits	Dimensions (mm)	
	A	B
4	2.00	6.00
6	4.00	8.00
8	6.00	10.00
10	8.00	12.00
12	10.00	14.00
14	12.00	16.00
16	14.00	18.00
18	16.00	20.00
20	18.00	22.00
22	20.00	24.00
24	22.00	26.00
26	24.00	28.00
28	26.00	30.00
30	28.00	32.00
32	30.00	34.00
34	32.00	36.00

**Specifications:**

Current Rating: 3.0A AC/DC  
 Voltage rating: 250V AC/DC  
 Temperature range: -25°C to +85°C  
 Contact resistance: 10mΩ max.  
 Insulation resistance: 1000MΩ min.  
 Withstand voltage: 800V AC/minute

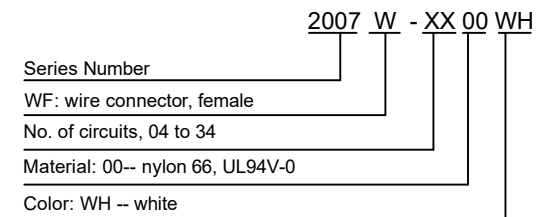
**Material:**

Housing: nylon 66, UL94V-0, white

**Mates with:** 2007BVT (header, vertical, THT type)  
 2007BRT (header, R/A, THT type)

**Used with:** 2007TF-PX (female terminal)

**Part Number Information:**



							General Tolerance	Zeakka Electronics				Document No.: ZK-2007W		
							.X ±0.3					Title: HOUSING, FEMALE, CRIMP TYPE, SINGLE ROW, 2.0MM PITCH		
							.XX ±0.2	APPR	CH'K	DRWN	Date	Dimensions	Scale	Version
Date	Version	EC No.	Description	DRWN	CH'K	APPR	.XXX ±0.1	Kai Lee	Cris Wang	Jun Wei	2020.8.8	mm	1:1	A
							THIRD ANGLE PROJECTION							

**Specifications:**

Current Rating: 3.0A AC/DC  
 Voltage rating: 250V AC/DC  
 Temperature range: -25°C to +85°C  
 Contact resistance: 10mΩ max.  
 Insulation resistance: 1000MΩ min.  
 Withstand voltage: 800V AC/minute  
 Applicable wire: AWG28 - AWG22  
 Insulation OD: max 1.55mm  
 Package: 10000pcs / reel

**Material:**

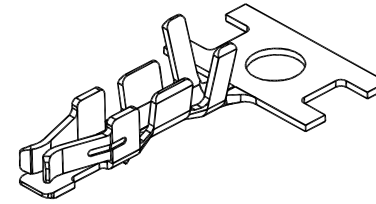
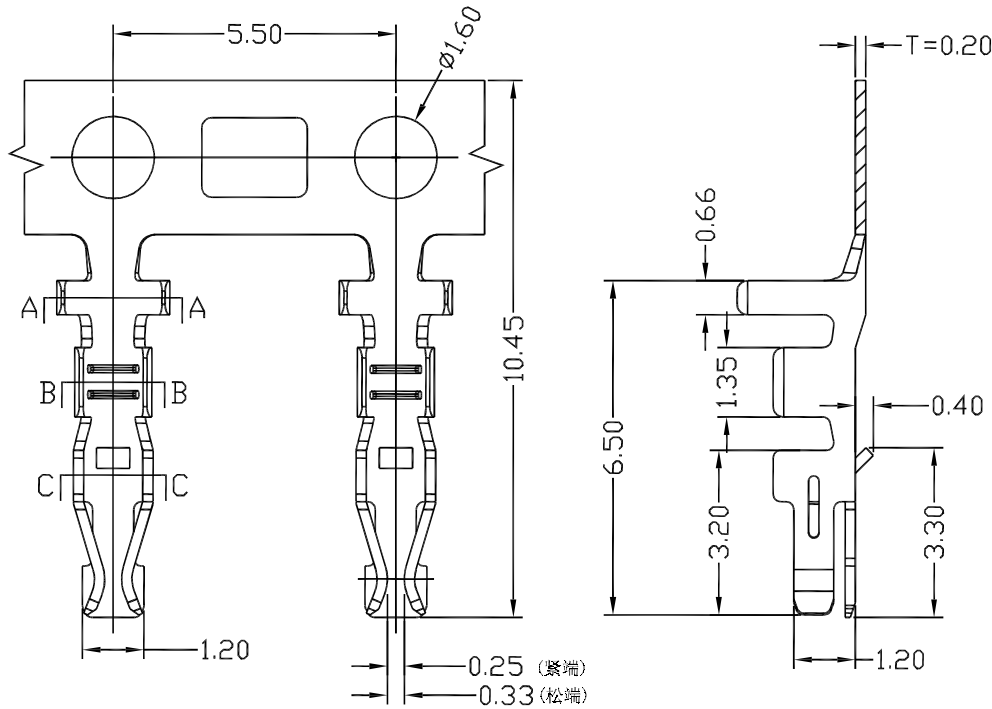
Phosphor bronze

**Used with:** 2007W (female housing)

**Part Number Information:**

**2007 TF - P X**

Series Number \_\_\_\_\_  
 TF: terminal, female \_\_\_\_\_  
 Material: P -- phosphor bronze \_\_\_\_\_  
 Plating: T -- tin plating, G -- gold flash \_\_\_\_\_



SECTION: A-A  
SCALE: 1:1

SECTION: B-B  
SCALE: 1:1

SECTION: C-C  
SCALE: 1:1

							General Tolerance	<h1>Zeakka Electronics</h1>				Document No.: ZK-2007TF						
							.X ±0.3					Title: TERMINAL, FEMALE, CRIMP TYPE, PHOSPHOR BRONZE, REEL						
							.XX ±0.2					APPR	CH'K	DRWN	Date	Dimensions	Scale	Version
							.XXX ±0.1					Kai Lee	Cris Wang	Jun Wei	2020.8.8	mm	1:1	A
Date	Version	EC No.	Description	DRWN	CH'K	APPR	THIRD ANGLE PROJECTION											