

Specifications:

Current Rating: 2.0A AC/DC
 Voltage rating: 125V AC/DC
 Temperature range: -25°C to +85°C
 Contact resistance: 20mΩ max.
 Insulation resistance: 1000MΩ min.
 Withstand voltage: 500V AC/minute

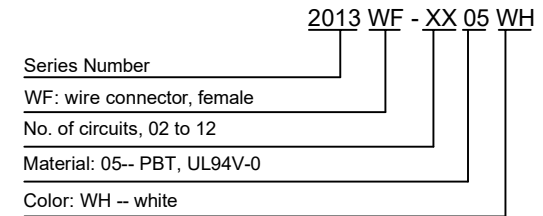
Material:

Housing: PBT, UL94V-0, white

Mates with: 2013WM (housing, male)

Used with: 2013TF-PT (female terminal)

Part Number Information:



Circuits	Dimensions (mm)		
	A	B	C
2	2.00	6.60	4.60
3	4.00	8.60	6.60
4	6.00	10.60	8.60
5	8.00	12.60	10.60
6	10.00	14.60	12.60
7	12.00	16.60	14.60
8	14.00	18.60	16.60
9	16.00	20.60	18.60
10	18.00	22.60	20.60
11	20.00	24.60	22.60
12	22.00	26.60	24.60

							General Tolerance	Zeakka Electronics				Document No.: ZK-2013WF						
							.X ±0.3					Title: HOUSING, FEMALE, CRIMP TYPE, SINGLE ROW, 2.0MM PITCH						
							.XX ±0.2					APPR	CH'K	DRWN	Date	Dimensions	Scale	Version
							.XXX ±0.1					Kai Lee	Cris Wang	Jun Wei	2020.8.7	mm	1:1	A
Date	Version	EC No.	Description	DRWN	CH'K	APPR	THIRD ANGLE PROJECTION											

Specifications:

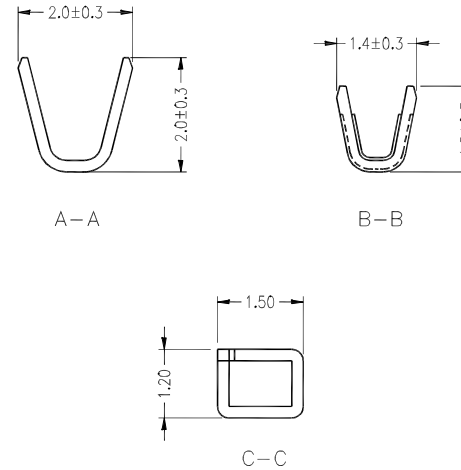
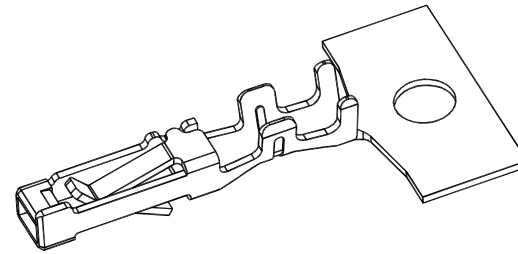
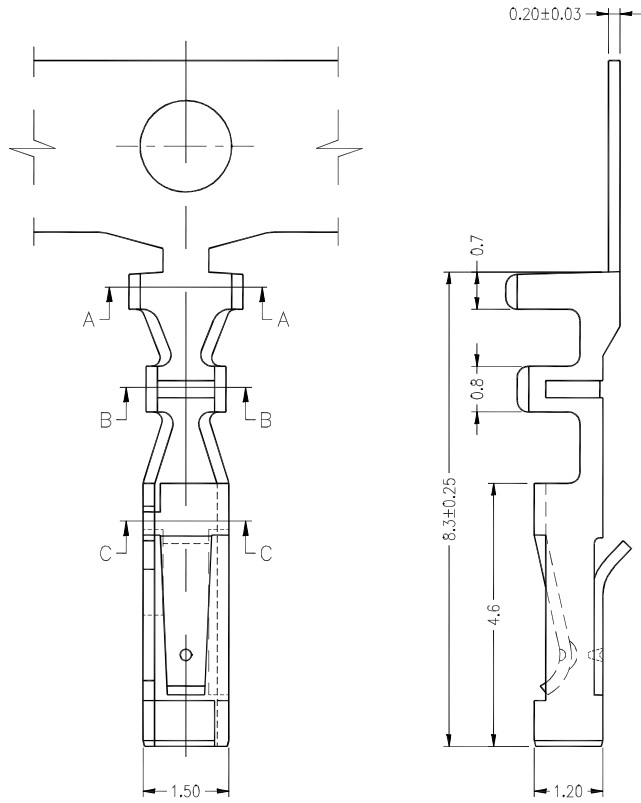
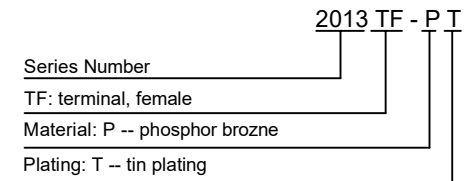
Current Rating: 2.0A AC/DC
 Voltage rating: 125V AC/DC
 Temperature range: -25°C to +85°C
 Contact resistance: 20mΩ max.
 Insulation resistance: 1000MΩ min.
 Withstand voltage: 500V AC/minute
 Applicable wire: AWG28 - AWG22
 Insulation OD: max 1.40mm
 Package: 10000pcs / reel

Material:

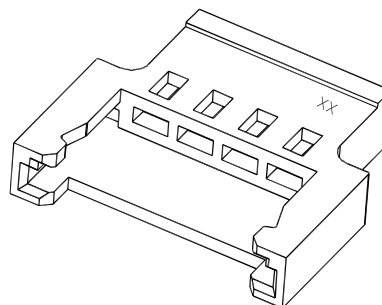
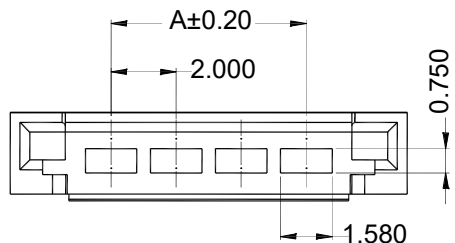
Phosphor bronze

Used with: 2013WF (female housing)

Part Number Information:



							General Tolerance	Zeakka Electronics				Document No.: ZK-2013TF						
							.X ±0.3					Title: TERMINAL, FEMALE, CRIMP TYPE, PHOSPHOR BRONZE, TIN, REEL						
							.XX ±0.2					APPR	CH'K	DRWN	Date	Dimensions	Scale	Version
							.XXX ±0.1					Kai Lee	Cris Wang	Jun Wei	2020.8.7	mm	1:1	A
Date	Version	EC No.	Description	DRWN	CH'K	APPR	THIRD ANGLE PROJECTION											



Specifications:

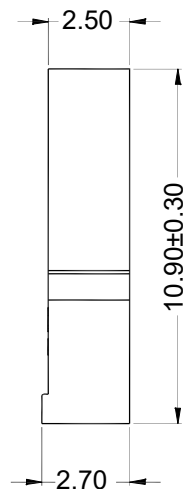
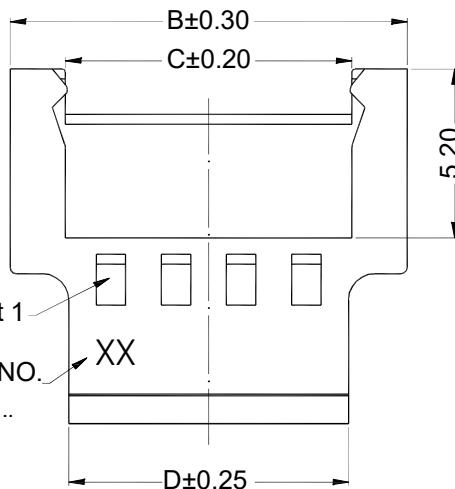
Current Rating: 2.0A AC/DC
 Voltage rating: 125V AC/DC
 Temperature range: -25°C to +85°C
 Contact resistance: 20mΩ max.
 Insulation resistance: 1000MΩ min.
 Withstand voltage: 500V AC/minute

Circuits	Dimensions (mm)			
	A	B	C	D
2	2.00	8.20	4.80	4.60
3	4.00	10.20	6.80	6.60
4	6.00	12.20	8.80	8.60
5	8.00	14.20	10.80	10.60
6	10.00	16.20	12.80	12.60
7	12.00	18.20	14.80	14.60
8	14.00	20.20	16.80	16.60
9	16.00	22.20	18.80	18.60
10	18.00	24.20	20.80	20.60
11	20.00	26.20	22.80	22.60
12	22.00	28.20	24.80	24.60

Material:

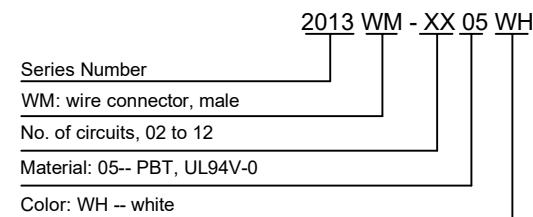
Housing: PBT, UL94V-0, white

Mates with: 2013WF (housing, female)



Used with: 2013TM-PT (male terminal)

Part Number Information:



							General Tolerance	Zeakka Electronics				Document No.: ZK-2013WM		
							.X ±0.3					Title: HOUSING, MALE, CRIMP TYPE, SINGLE ROW, 2.0MM PITCH		
							.XX ±0.2	APPR	CH'K	DRWN	Date	Dimensions	Scale	Version
Date	Version	EC No.	Description	DRWN	CH'K	APPR	.XXX ±0.1	Kai Lee	Cris Wang	Jun Wei	2020.8.7	mm	1:1	A
							THIRD ANGLE PROJECTION							

Specifications:

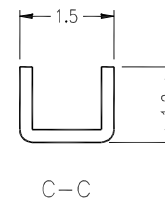
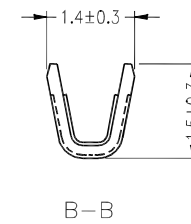
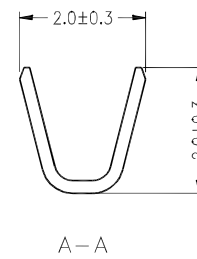
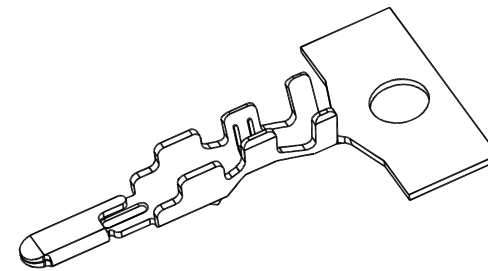
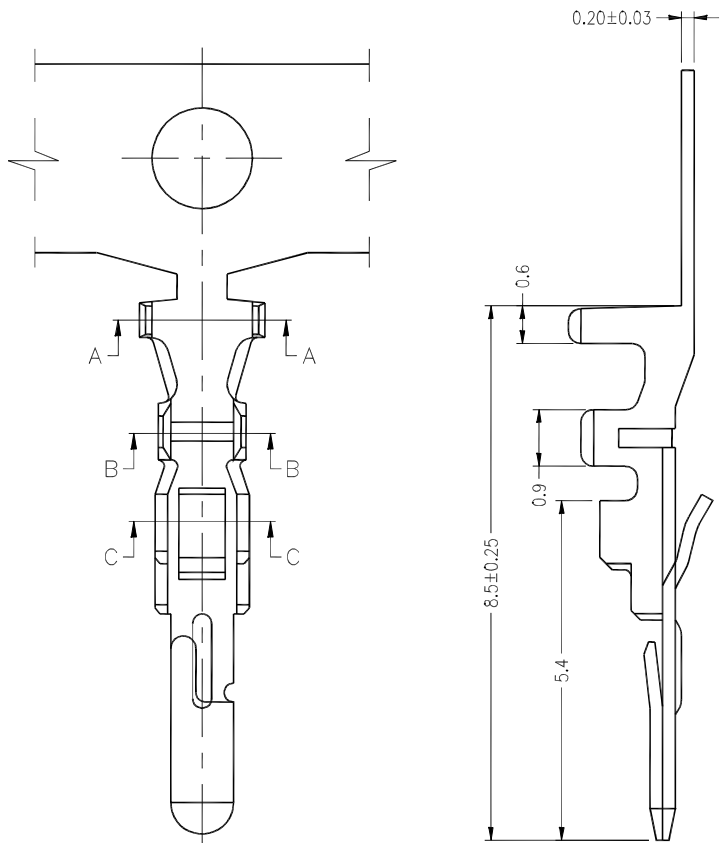
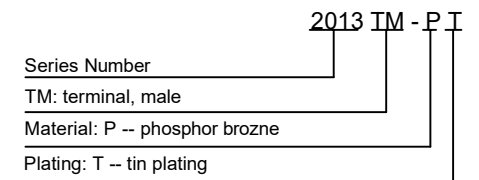
Current Rating: 2.0A AC/DC
 Voltage rating: 125V AC/DC
 Temperature range: -25°C to +85°C
 Contact resistance: 20mΩ max.
 Insulation resistance: 1000MΩ min.
 Withstand voltage: 1000V AC/minute
 Applicable wire: AWG28 - AWG22
 Insulation OD: max 1.40mm
 Package: 10000pcs / reel

Material:

Phosphor bronze

Used with: 2013WM (male housing)

Part Number Information:



							General Tolerance	Zeakka Electronics				Document No.: ZK-2013TM						
							.X ±0.3					Title: TERMINAL, MALE, CRIMP TYPE, PHOSPHOR BRONZE, TIN, REEL						
							.XX ±0.2					APPR	CH'K	DRWN	Date	Dimensions	Scale	Version
							.XXX ±0.1					Kai Lee	Cris Wang	Jun Wei	2020.8.7	mm	1:1	A
Date	Version	EC No.	Description	DRWN	CH'K	APPR	THIRD ANGLE PROJECTION											