

P.C.B LAYOUT

Specifications:

Current Rating: 3.0A AC/DC
 Voltage rating: 250V AC/DC
 Temperature range: -25°C to +85°C
 Contact resistance: 10mΩ max.
 Insulation resistance: 1000MΩ min.
 Withstand voltage: 800V AC/minute

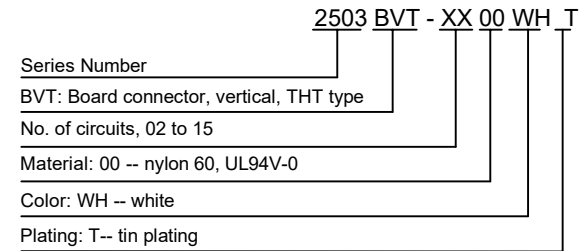
Material:

Housing: nylon 66, UL94V-0, white
 PIN: brass

Circuits	Dimensions (mm)	
	A	B
2	2.50	7.70
3	5.00	10.20
4	7.50	12.70
5	10.00	15.20
6	12.50	17.70
7	15.00	20.20
8	17.50	22.70
9	20.00	25.20
10	22.50	27.70
11	25.00	30.20
12	27.50	32.70
13	30.00	35.20
14	32.50	37.70
15	35.00	40.20

Mates with: 2503W (wire connector, single row)

Part Number Information:



							General Tolerance	Zeakka Electronics				Document No.: ZK-2503BVT						
							.X ±0.3					Title: HEADER, VERTICAL, THT TYPE, SINGLE ROW, 2.5MM PITCH, TIN						
							.XX ±0.2					APPR	CH'K	DRWN	Date	Dimensions	Scale	Version
							.XXX ±0.1					Kai Lee	Cris Wang	Jun Wei	2020.8.8	mm	1:1	A
Date	Version	EC No.	Description	DRWN	CH'K	APPR	THIRD ANGLE PROJECTION											

Circuits	Dimensions (mm)	
	A	B
2	2.50	7.70
3	5.00	10.20
4	7.50	12.70
5	10.00	15.20
6	12.50	17.70
7	15.00	20.20
8	17.50	22.70
9	20.00	25.20
10	22.50	27.70
11	25.00	30.20
12	27.50	32.70
13	30.00	35.20
14	32.50	37.70
15	35.00	40.20

Specifications:

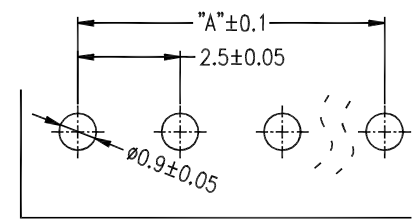
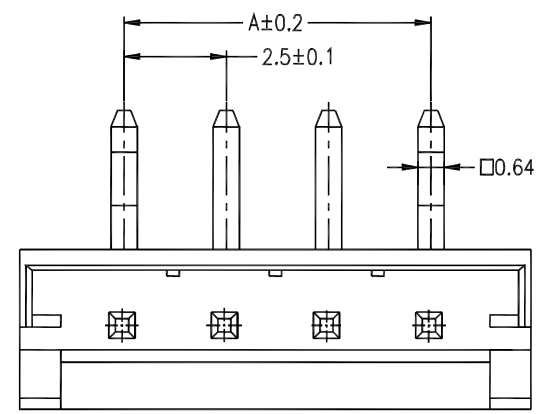
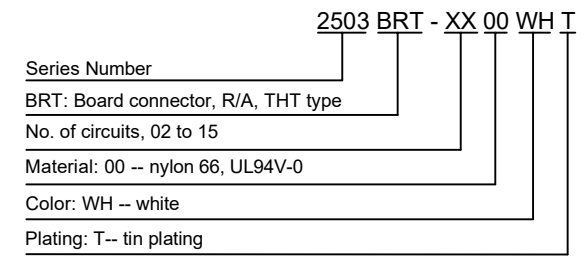
Current Rating: 3.0A AC/DC
Voltage rating: 250V AC/DC
Temperature range: -25°C to +85°C
Contact resistance: 10mΩ max.
Insulation resistance: 1000MΩ min.
Withstand voltage: 800V AC/minute

Material:

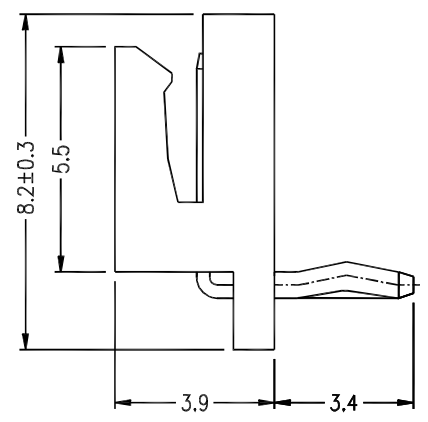
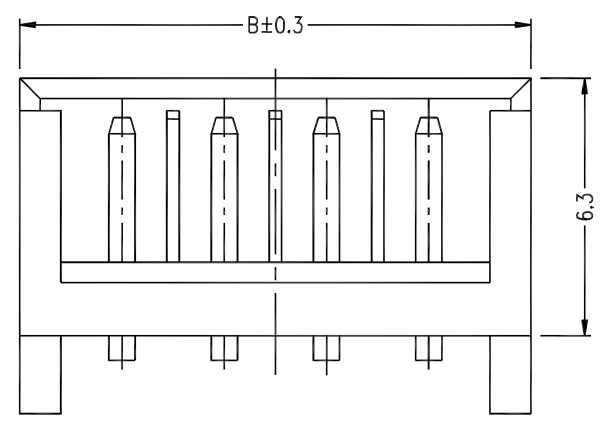
Housing: nylon 66, UL94V-0, white
PIN: brass

Mates with: 2503W (wire connector, single row)

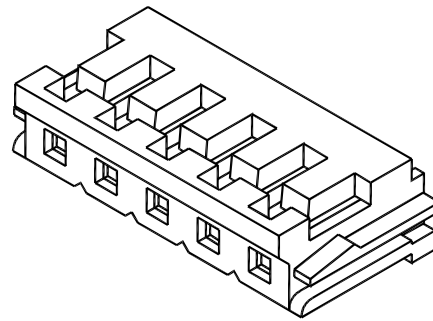
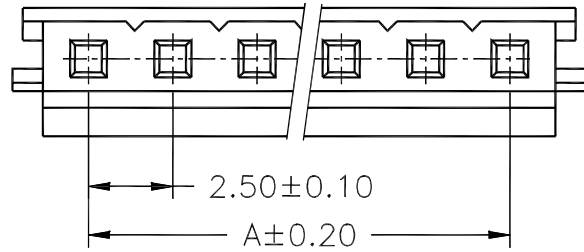
Part Number Information:



P.C.B LAYOUT



							General Tolerance	Zeakka Electronics				Document No.: ZK-2503BRT					
							.X ±0.3					APPR Kai Lee			Title: HEADER, R/A, THT TYPE, SINGLE ROW, 2.5MM PITCH, TIN		
							.XX ±0.2								CH'K Cris Wang	DRWN Jun Wei	Date 2020.8.8
Date	Version	EC No.	Description	DRWN	CH'K	APPR	.XXX ±0.1	THIRD ANGLE PROJECTION									



Specifications:

Current Rating: 3.0A AC/DC
 Voltage rating: 250V AC/DC
 Temperature range: -25°C to +85°C
 Contact resistance: 10mΩ max.
 Insulation resistance: 1000MΩ min.
 Withstand voltage: 800V AC/minute

Circuits	Dimensions (mm)	
	A	B
2	2.50	7.00
3	5.00	9.50
4	7.50	12.00
5	10.00	14.50
6	12.50	17.00
7	15.00	19.50
8	17.50	22.00
9	20.00	24.50
10	22.50	27.00
11	25.00	29.50
12	27.50	32.00
13	30.00	34.50
14	32.50	37.00
15	35.00	39.50

Material:

Housing: nylon 66, UL94V-0, white

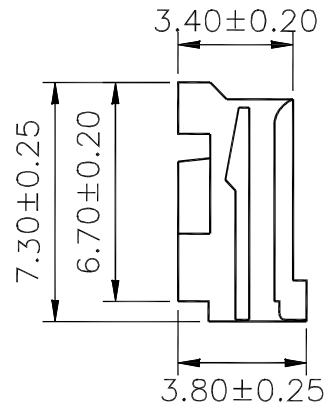
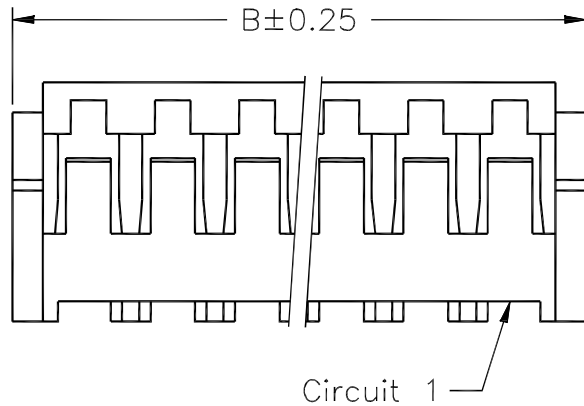
Mates with: 2503BVT (header, vertical, THT type)
 2503BRT (header, R/A, THT type)

Used with: 2503TF-PT (female terminal)

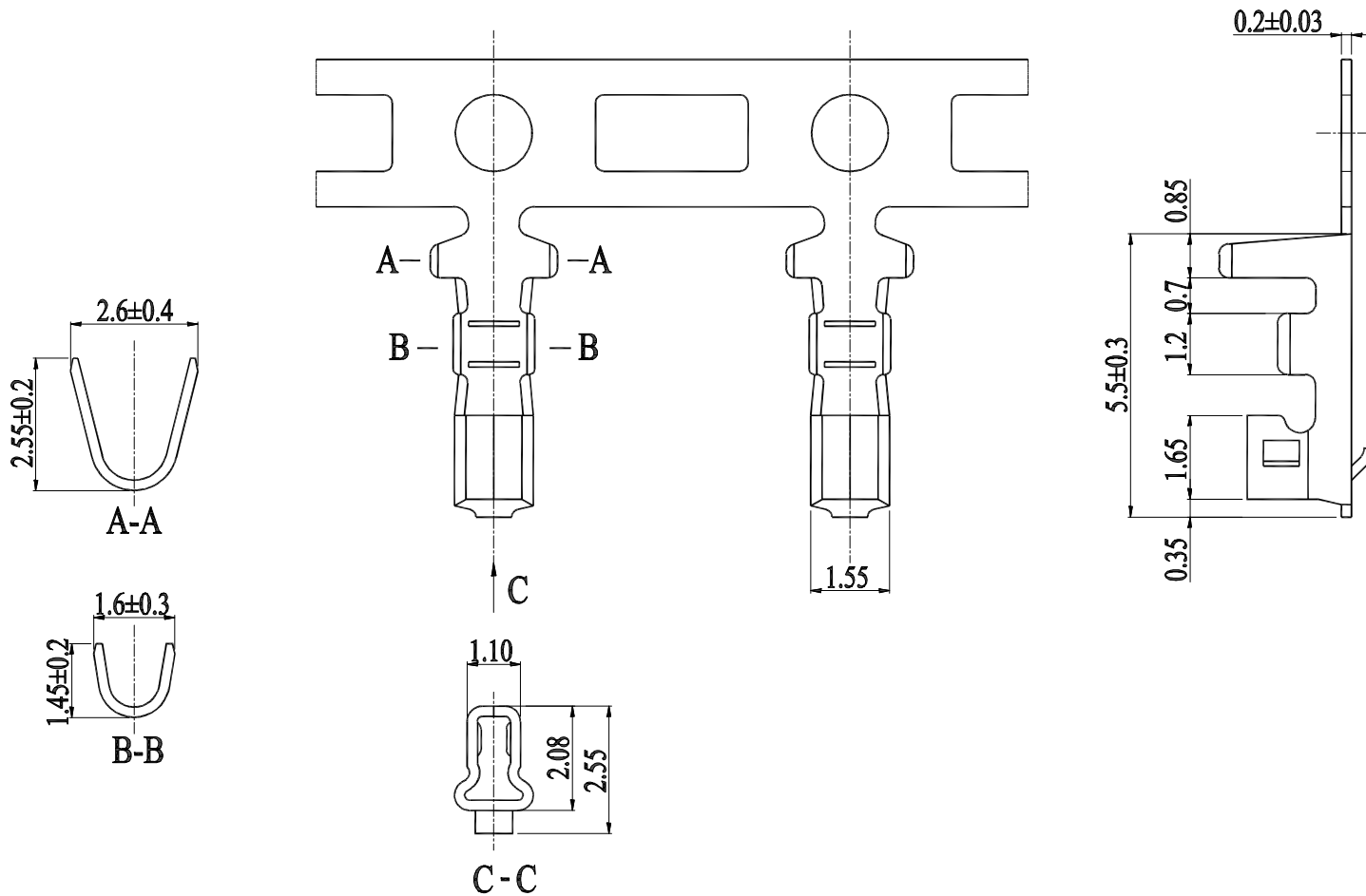
Part Number Information:

2503 W - XX 00 WH

Series Number
 W: wire connector
 No. of circuits, 02 to 15
 Material: 00-- nylon 66, UL94V-0
 Color: WH -- white



							General Tolerance	Zeakka Electronics				Document No.: ZK-2503W		
							.X ±0.3					Title: HOUSING, FEMALE, CRIMP TYPE, SINGLE ROW, 2.5MM PITCH		
							.XX ±0.2	APPR	CH'K	DRWN	Date	Dimensions	Scale	Version
Date	Version	EC No.	Description	DRWN	CH'K	APPR	.XXX ±0.1	Kai Lee	Cris Wang	Jun Wei	2020.8.8	mm	1:1	A
							THIRD ANGLE PROJECTION							



Specifications:

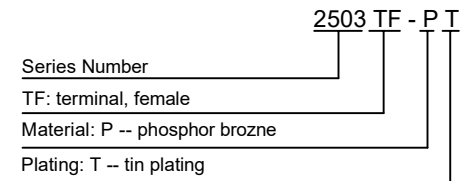
Current Rating: 3.0A AC/DC
 Voltage rating: 250V AC/DC
 Temperature range: -25°C to +85°C
 Contact resistance: 20mΩ max.
 Insulation resistance: 1000MΩ min.
 Withstand voltage: 1000V AC/minute
 Applicable wire: AWG28 - AWG22
 Insulation OD: max 1.90mm

Material:

Phosphor bronze

Used with: 2503W (wire connector)

Part Number Information:



							General Tolerance	Zeakka Electronics				Document No.: ZK-2503TF		
							.X ±0.3					Title: TERMINAL, FEMALE, CRIMP TYPE, PHOSPHOR BRONZE, TIN, REEL		
							.XX ±0.2					APPR	CH'K	DRWN
Date	Version	EC No.	Description	DRWN	CH'K	APPR	.XXX ±0.1	Kai Lee	Cris Wang	Jun Wei	2020.8.8	mm	1:1	A

THIRD ANGLE PROJECTION