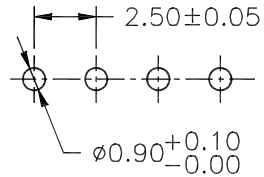
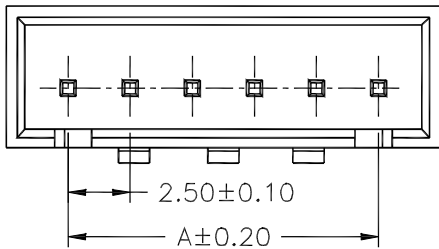
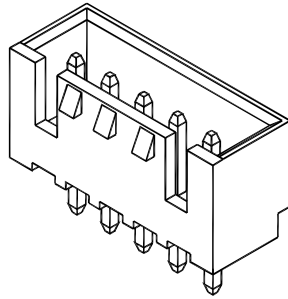
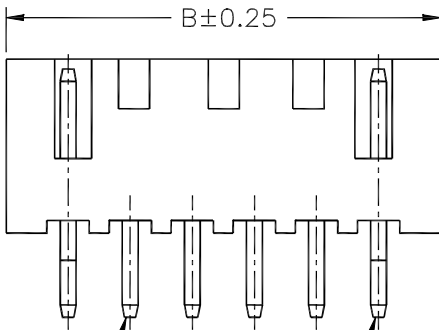


02P

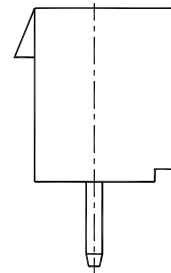
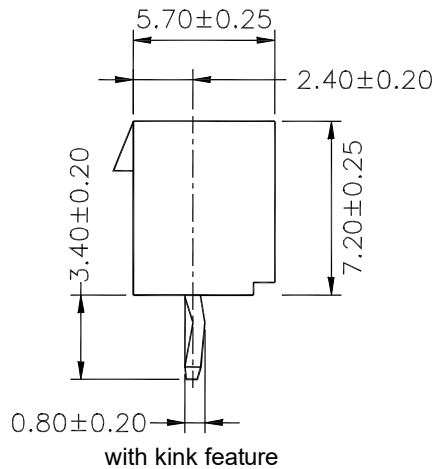


P.C.B LAYOUT



PIN 0.64 SQ

Circuit 1



without kink feature

**Specifications:**

Current Rating: 3.0A AC/DC  
 Voltage rating: 250V AC/DC  
 Temperature range: -25°C to +85°C  
 Contact resistance: 10mΩ max.  
 Insulation resistance: 1000MΩ min.  
 Withstand voltage: 1000V AC/minute

**Material:**

Housing: nylon 66, UL94V-0, white  
 PIN: brass

Mates with: 2506WF (wire connector, female)

**Part Number Information:**

2506 BVT - XX 00 WH T

Series Number  
 BVT: Board connector, vertical, THT type  
 No. of circuits, 02 to 16  
 Material: 00 -- nylon 66, UL94V-0  
 Color: WH--white  
 Plating: T-- tin plating

							General Tolerance	Zeakka Electronics				Document No.: ZK-2506BVT		
							.X ±0.3					Title: HEADER, VERTICAL, THT TYPE, SINGLE ROW, 2.5MM PITCH, TIN		
							.XX ±0.2					APPR	CH'K	DRWN
Date	Version	EC No.	Description	DRWN	CH'K	APPR	.XXX ±0.1	Kai Lee	Cris Wang	Jun Wei	2020.8.8	mm	1:1	A
							THIRD ANGLE PROJECTION							

**Specifications:**

Current Rating: 3.0A AC/DC  
 Voltage rating: 250V AC/DC  
 Temperature range: -25°C to +85°C  
 Contact resistance: 10mΩ max.  
 Insulation resistance: 1000MΩ min.  
 Withstand voltage: 1000V AC/minute

**Material:**

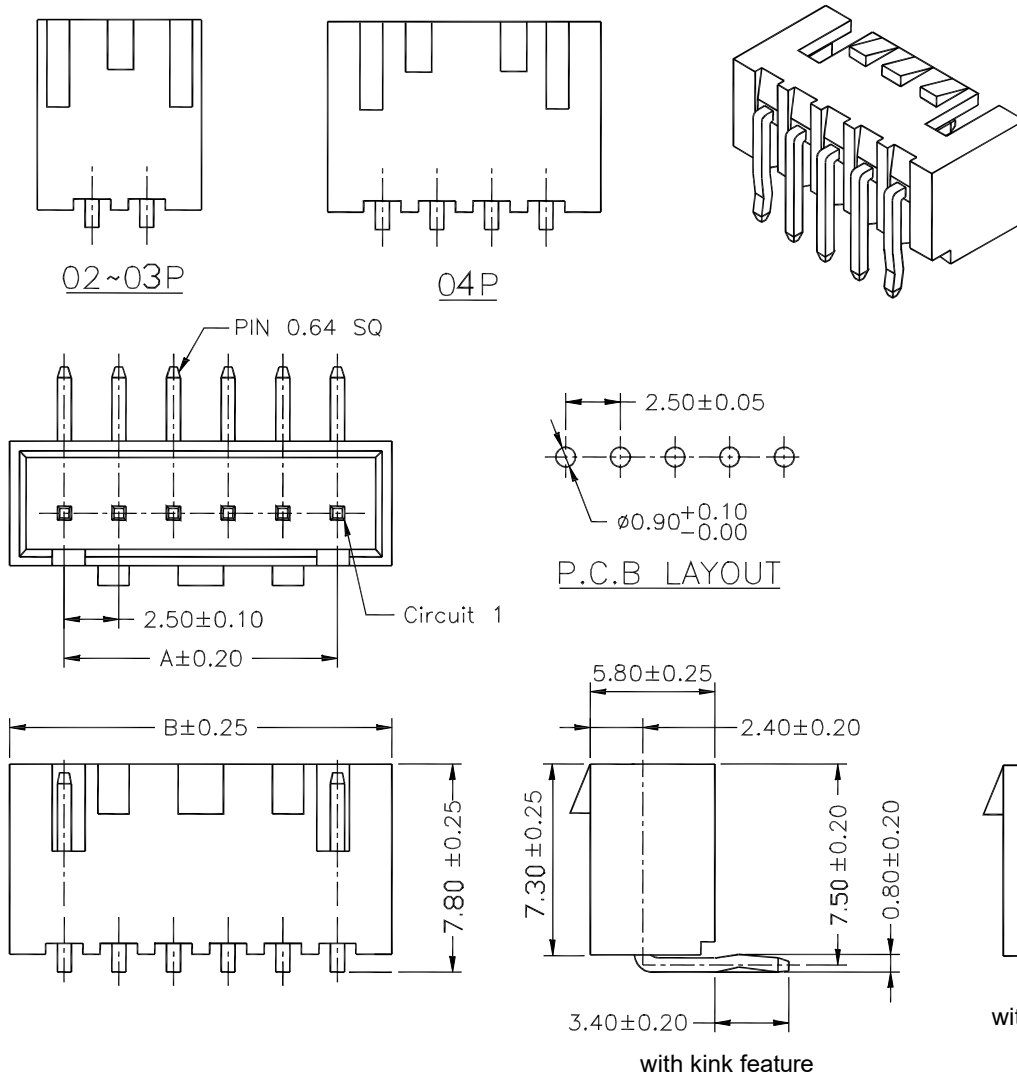
Housing: nylon 66, UL94V-0, white  
 PIN: brass

**Mates with:** 2506WF (wire connector, female)

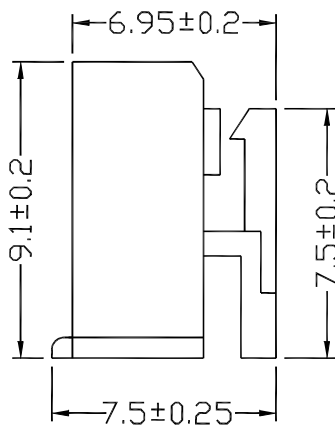
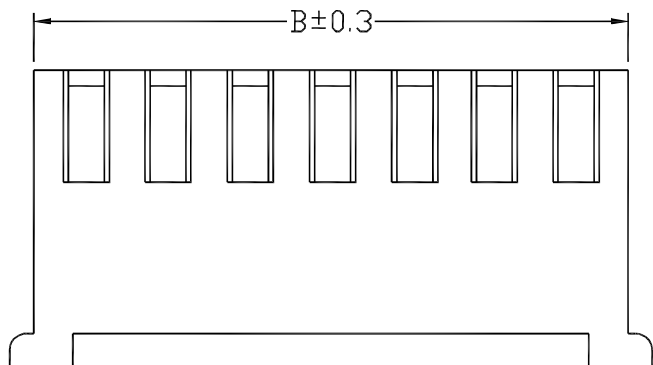
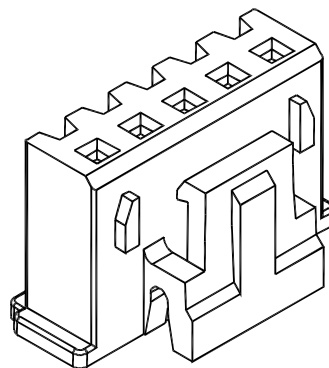
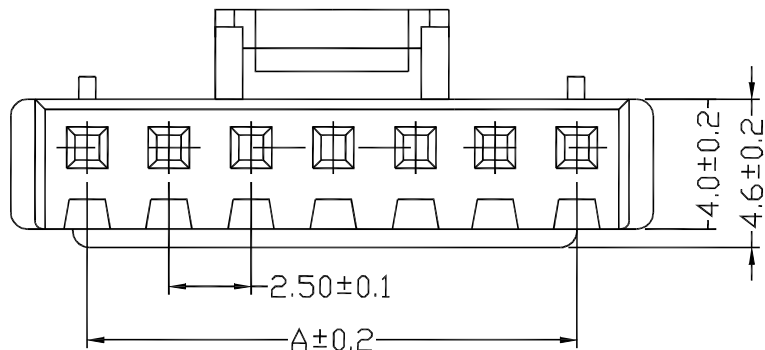
**Part Number Information:**

2506 BRT - XX 00 WH T

Series Number  
 BRT: Board connector, R/A, THT type  
 No. of circuits, 02 to 16  
 Material: 00 -- nylon 66, UL94V-0  
 Color: WH -- white  
 Plating: T-- tin plating



							General Tolerance	<h1>Zeakka Electronics</h1>				Document No.: ZK-2506BRT		
							.X ±0.3					Title: HEADER, R/A, THT TYPE, SINGLE ROW, 2.5MM PITCH, TIN		
							.XX ±0.2					APPR	CH'K	DRWN
Date	Version	EC No.	Description	DRWN	CH'K	APPR	THIRD ANGLE PROJECTION	Kai Lee	Cris Wang	Jun Wei	2020.8.8	mm	1:1	A



**Specifications:**

Current Rating: 3.0A AC/DC  
 Voltage rating: 250V AC/DC  
 Temperature range: -25°C to +85°C  
 Contact resistance: 10mΩ max.  
 Insulation resistance: 1000MΩ min.  
 Withstand voltage: 1000V AC/minute

**Material:**

Housing: nylon 66, UL94V-0, white

**Mates with:** 2506BVT (header, vertical, THT type)  
 2506BRT (header, R/A, THT type)  
 2506WM (wire connector, male)

**Used with:** 2506TF-PT (female terminal)

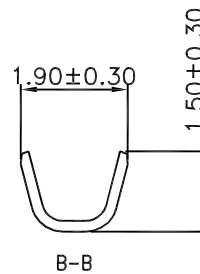
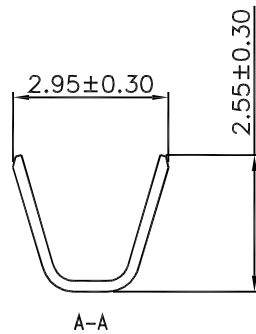
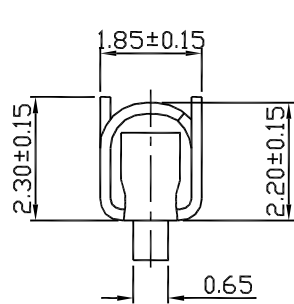
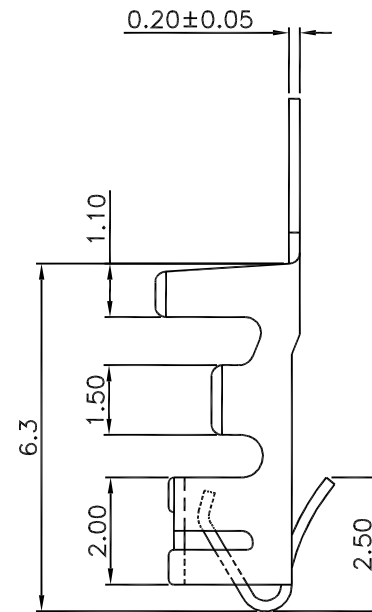
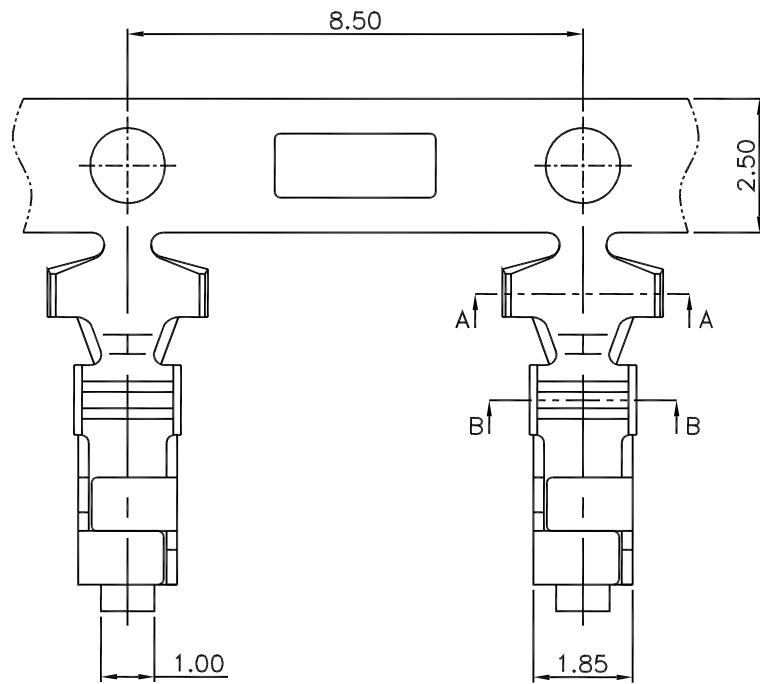
**Part Number Information:**

**2506 WF - XX 00 WH**

Series Number \_\_\_\_\_  
 WF: wire connector, female \_\_\_\_\_  
 No. of circuits, 02 to 16 \_\_\_\_\_  
 Material: 00-- nylon 66, UL94V-0 \_\_\_\_\_  
 Color: WH -- white \_\_\_\_\_

							General Tolerance	<b>Zeakka Electronics</b>				Document No.: ZK-2506WF		
							.X ±0.3					Title: HOUSING, FEMALE, CRIMP TYPE, SINGLE ROW, 2.5MM PITCH		
							.XX ±0.2					APPR	CH'K	DRWN
Date	Version	EC No.	Description	DRWN	CH'K	APPR	.XXX ±0.1	Kai Lee	Cris Wang	Jun Wei	2020.8.8	mm	1:1	A

THIRD ANGLE PROJECTION



**Specifications:**

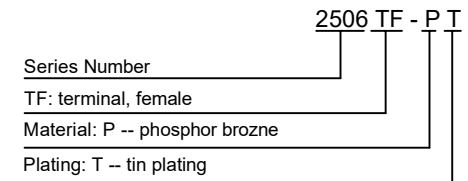
Current Rating: 3.0A AC/DC  
 Voltage rating: 250V AC/DC  
 Temperature range: -25°C to +85°C  
 Contact resistance: 10mΩ max.  
 Insulation resistance: 100MΩ min.  
 Withstand voltage: 1000V AC/minute  
 Applicable wire: AWG28 - AWG22  
 Insulation OD: max 1.90mm

**Material:**

Phosphor bronze

**Used with:** 2506WF (wire connector, female )

**Part Number Information:**



							General Tolerance	<b>Zeakka Electronics</b>				Document No.: ZK-2506TF						
							.X ±0.3					Title: TERMINAL, FEMALE, CRIMP TYPE, PHOSPHOR BRONZE, TIN, REEL						
							.XX ±0.2					APPR	CH'K	DRWN	Date	Dimensions	Scale	Version
							.XXX ±0.1					Kai Lee	Cris Wang	Jun Wei	2020.8.8	mm	1:1	A
Date	Version	EC No.	Description	DRWN	CH'K	APPR	THIRD ANGLE PROJECTION											