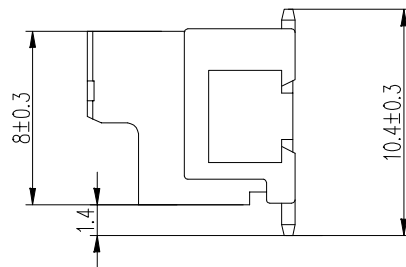
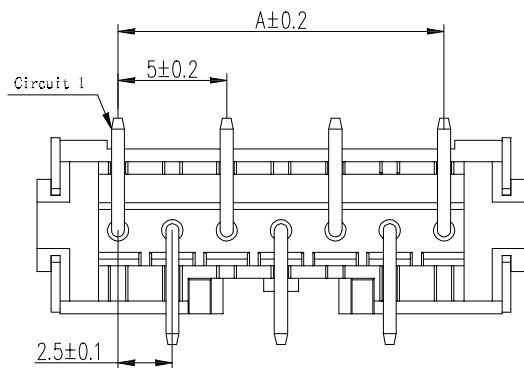


PCB LAYOUT



Specifications:

Current Rating: 3.0A AC/DC
 Voltage rating: 250V AC/DC
 Temperature range: -25°C to +85°C
 Contact resistance: 20mΩ max.
 Insulation resistance: 1000MΩ min.
 Withstand voltage: 1000V AC/minute
 Package: tape & reel

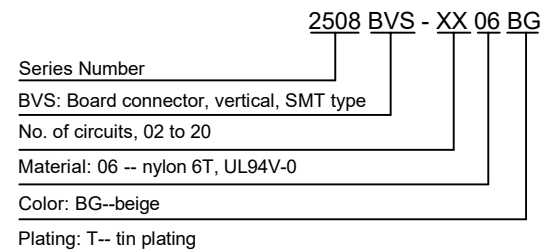
Material:

Housing: nylon 6T, UL94V-0, beige
 PIN: brass
 Solder tab: brass

Mates with: 2508WF (wire connector, female)

Circuits	Dimensions (mm)	
	A	B
2	2.50	7.50
3	5.00	10.00
4	7.50	12.50
5	10.00	15.00
6	12.50	17.50
7	15.00	20.00
8	17.50	22.50
9	20.00	25.00
10	22.50	27.50
11	25.00	30.00
12	27.50	32.50
13	30.00	35.00
14	32.50	37.50
15	35.00	40.00
20	47.50	52.50

Part Number Information:



							General Tolerance	Zeakka Electronics				Document No.: ZK-2508BVS			
							.X ±0.3					Title: HEADER, VERTICAL, SMT TYPE, SINGLE ROW, 2.5MM PITCH, TIN			
							.XX ±0.2					APPR	CH'K	DRWN	Date
Date	Version	EC No.	Description	DRWN	CH'K	APPR	.XXX ±0.1	THIRD ANGLE PROJECTION	Kai Lee	Cris Wang	Jun Wei	2020.8.8	mm	1:1	A

Circuits	Dimensions (mm)	
	A	B
2	2.50	7.50
3	5.00	10.00
4	7.50	12.50
5	10.00	15.00
6	12.50	17.50
7	15.00	20.00
8	17.50	22.50
9	20.00	25.00
10	22.50	27.50
11	25.00	30.00
12	27.50	32.50
13	30.00	35.00
14	32.50	37.50
15	35.00	40.00
20	47.50	52.50

Specifications:

Current Rating: 3.0A AC/DC
Voltage rating: 250V AC/DC
Temperature range: -25°C to +85°C
Contact resistance: 20mΩ max.
Insulation resistance: 1000MΩ min.
Withstand voltage: 1000V AC/minute

Material:

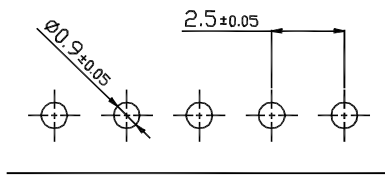
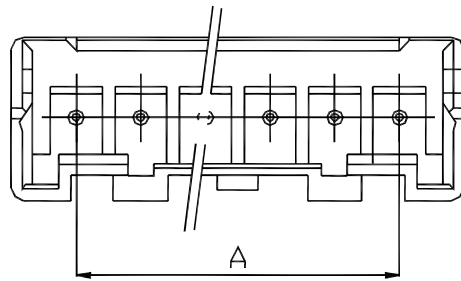
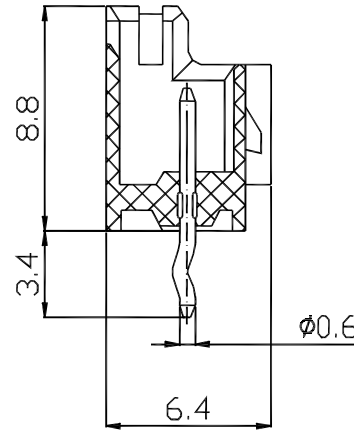
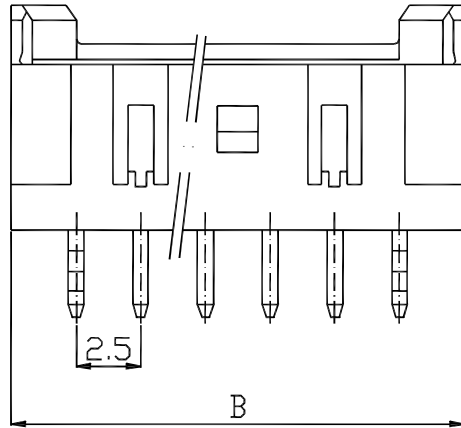
Housing: nylon 66, UL94V-0, white
PIN: brass

Mates with: 2508WF (wire connector, female)

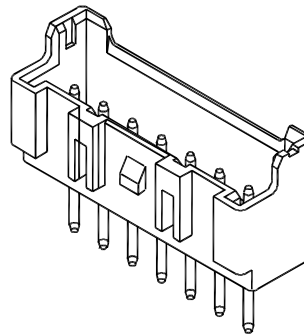
Part Number Information:

2508 BVT - XX 00 WH T

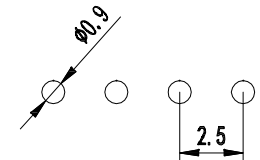
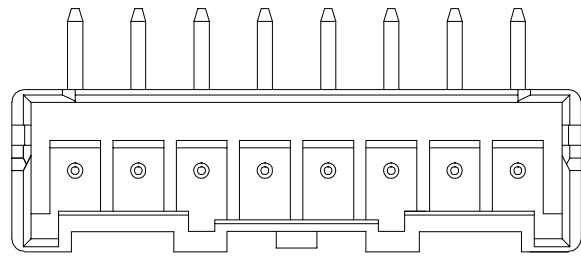
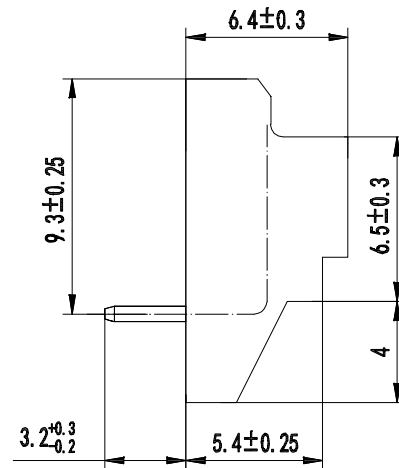
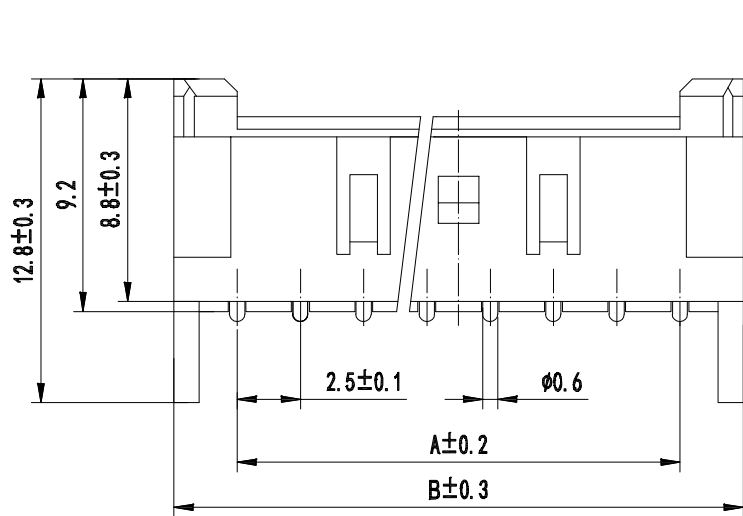
Series Number _____
BVT: Board connector, vertical, THT type _____
No. of circuits, 02 to 20 _____
Material: 06 -- nylon 66, UL94V-0 _____
Color: WH -- white _____
Plating: T-- tin plating _____



P. C. B LAYOUT



							General Tolerance	Zeakka Electronics				Document No.: ZK-2508BVT		
							.X ±0.3					Title: HEADER, VERTICAL, THT TYPE, SINGLE ROW, 2.5MM PITCH, TIN		
							.XX ±0.2	APPR	CH'K	DRWN	Date	Dimensions	Scale	Version
Date	Version	EC No.	Description	DRWN	CH'K	APPR	.XXX ±0.1	Kai Lee	Cris Wang	Jun Wei	2020.8.8	mm	1:1	A
							THIRD ANGLE PROJECTION							



P. C. B LATOUT

Specifications:

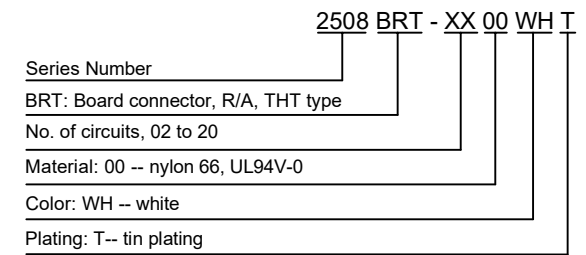
Current Rating: 3.0A AC/DC
 Voltage rating: 250V AC/DC
 Temperature range: -25°C to +85°C
 Contact resistance: 20mΩ max.
 Insulation resistance: 1000MΩ min.
 Withstand voltage: 1000V AC/minute

Material:

Housing: nylon 66, UL94V-0, white
 PIN: brass

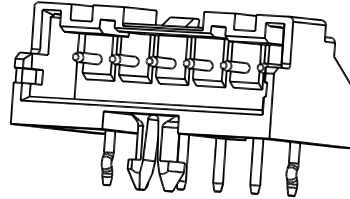
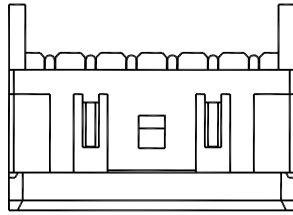
Mates with: 2508WF (wire connector, female)

Part Number Information:



Circuits	Dimensions (mm)	
	A	B
2	2.50	7.50
3	5.00	10.00
4	7.50	12.50
5	10.00	15.00
6	12.50	17.50
7	15.00	20.00
8	17.50	22.50
9	20.00	25.00
10	22.50	27.50
11	25.00	30.00
12	27.50	32.50
13	30.00	35.00
14	32.50	37.50
15	35.00	40.00

Date	Version	EC No.	Description	DRWN	CH'K	APPR	General Tolerance				Zeakka Electronics			Document No.:	ZK-2508BRT	
							.X ±0.3	.XX ±0.2	.XXX ±0.1	APPR	CH'K	DRWN	Date	Dimensions	Scale	Version
							THIRD ANGLE PROJECTION	⊕	⊖	Kai Lee	Cris Wang	Jun Wei	2020.8.8	mm	1:1	A



Specifications:

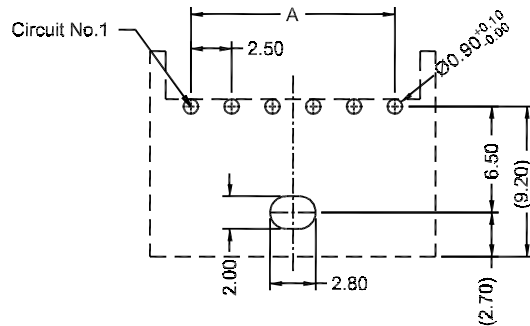
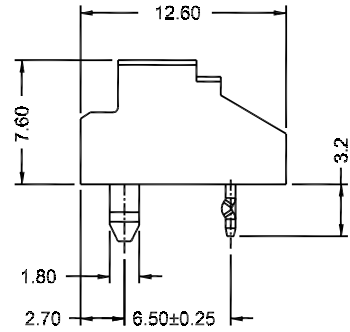
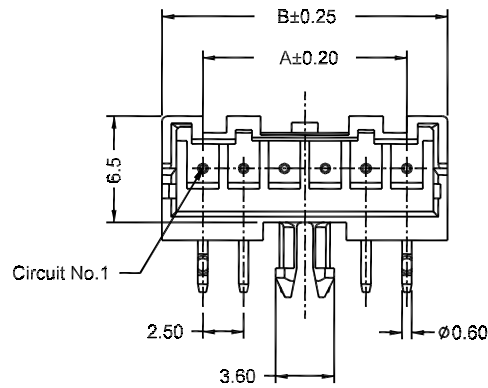
Current Rating: 3.0A AC/DC
 Voltage rating: 250V AC/DC
 Temperature range: -25°C to +85°C
 Contact resistance: 20mΩ max.
 Insulation resistance: 1000MΩ min.
 Withstand voltage: 1000V AC/minute

Circuits	Dimensions (mm)	
	A	B
2	2.50	7.50
3	5.00	10.00
4	7.50	12.50
5	10.00	15.00
6	12.50	17.50
7	15.00	20.00
8	17.50	22.50
9	20.00	25.00
10	22.50	27.50
11	25.00	30.00
12	27.50	32.50
13	30.00	35.00
14	32.50	37.50
15	35.00	40.00

Material:

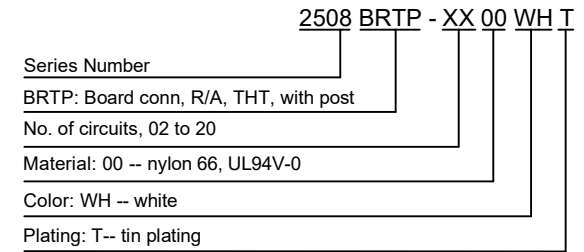
Housing: nylon 66, UL94V-0, white
 PIN: brass

Mates with: 2508WF (wire connector, female)



RECOMMENDED P.C.B LAYOUT T=1.60mm
 (TOLERANCE:±0.05)

Part Number Information:



							General Tolerance	Zeakka Electronics				Document No.: ZK-2508BRTP		
							.X ±0.3					Title: HEADER, R/A, THT TYPE, SINGLE ROW, 2.5MM PITCH, TIN		
							.XX ±0.2	APPR	CH'K	DRWN	Date	Dimensions	Scale	Version
Date	Version	EC No.	Description	DRWN	CH'K	APPR	.XXX ±0.1	Kai Lee	Cris Wang	Jun Wei	2020.8.8	mm	1:1	A
							THIRD ANGLE PROJECTION							

Circuits	Dimensions (mm)	
	A	B
2	2.50	7.30
3	5.00	9.80
4	7.50	12.30
5	10.00	14.80
6	12.50	17.30
7	15.00	19.80
8	17.50	22.30
9	20.00	24.80
10	22.50	27.30
11	25.00	29.80
12	27.50	32.30
13	30.00	34.80
14	32.50	37.30
15	35.00	39.80
20	47.50	52.30

Specifications:

Current Rating: 3.0A AC/DC
Voltage rating: 250V AC/DC
Temperature range: -25°C to +85°C
Contact resistance: 20mΩ max.
Insulation resistance: 1000MΩ min.
Withstand voltage: 1000V AC/minute

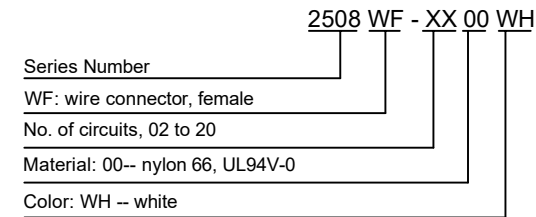
Material:

Housing: nylon 66, UL94V-0, white

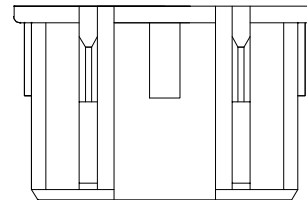
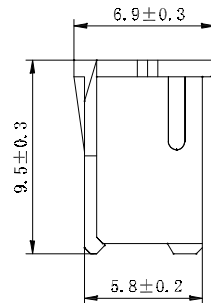
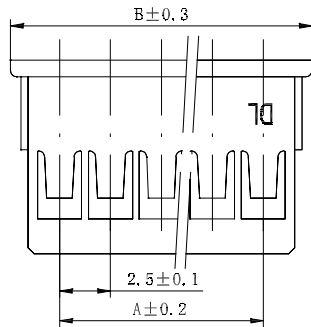
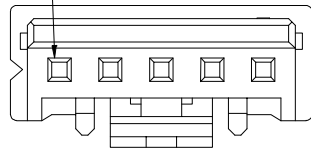
Mates with: 2508BVT (header, vertical, THT type)
2508BVTP (header, vertical, THT type, with post)
2508BRT (header, R/A, THT type)
2508BRTP (header, R/A, THT type, with post)
2508BVS (header, vertical, SMT type)
2508WM (wire connector, male)
2508WMA (wire connector, male, with panel locks)

Used with: 2508TF-PT (female terminal)

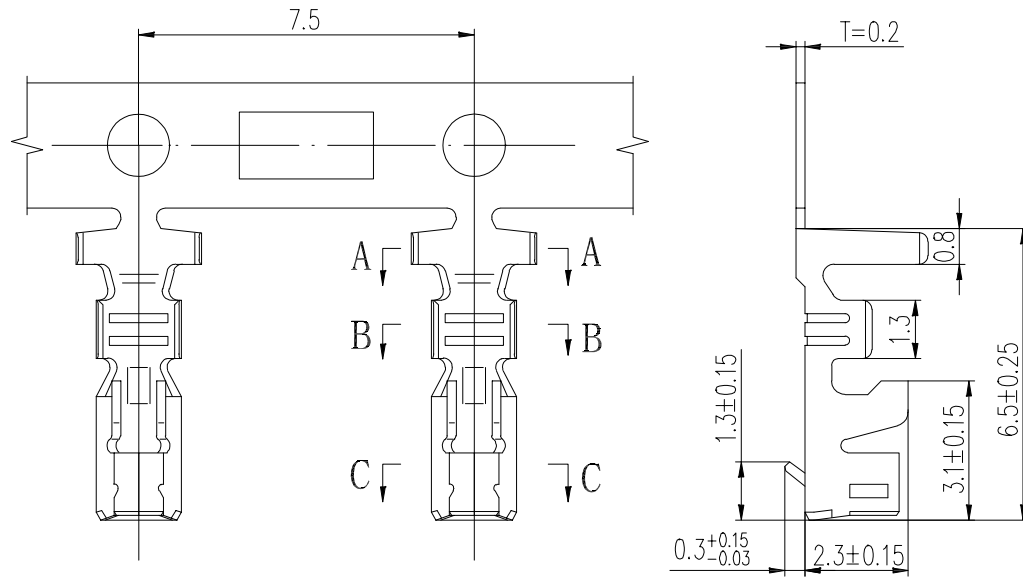
Part Number Information:



CIRCUIT NO. 1



							General Tolerance	Zeakka Electronics				Document No.: ZK-2508WF			
							.X ± 0.3					Title: HOUSING, FEMALE, CRIMP TYPE, SINGLE ROW, 2.5MM PITCH			
							.XX ± 0.2	APPR	CH'K	DRWN	Date	Dimensions	Scale	Version	
Date	Version	EC No.	Description	DRWN	CH'K	APPR	.XXX ± 0.1	Kai Lee	Cris Wang	Jun Wei	2020.8.8	mm	1:1	A	
							THIRD ANGLE PROJECTION								



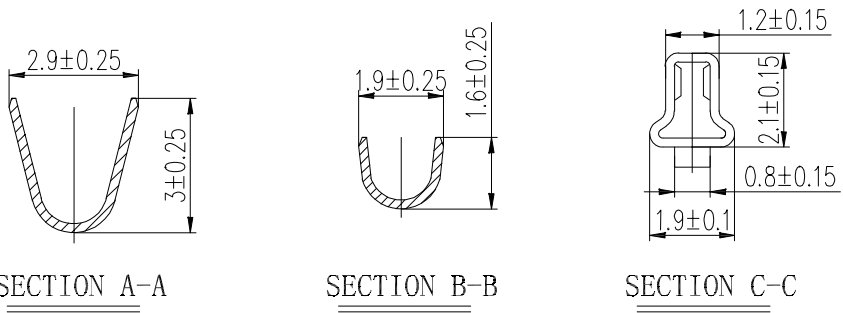
Specifications:

Current Rating: 3.0A AC/DC
 Voltage rating: 250V AC/DC
 Temperature range: -25°C to +85°C
 Contact resistance: 20mΩ max.
 Insulation resistance: 1000MΩ min.
 Withstand voltage: 1000V AC/minute
 Applicable wire: AWG28- AWG22

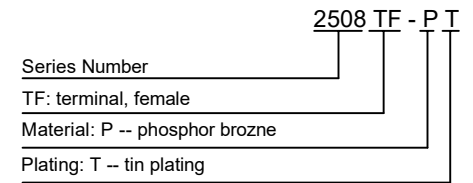
Material:

Phosphor bronze

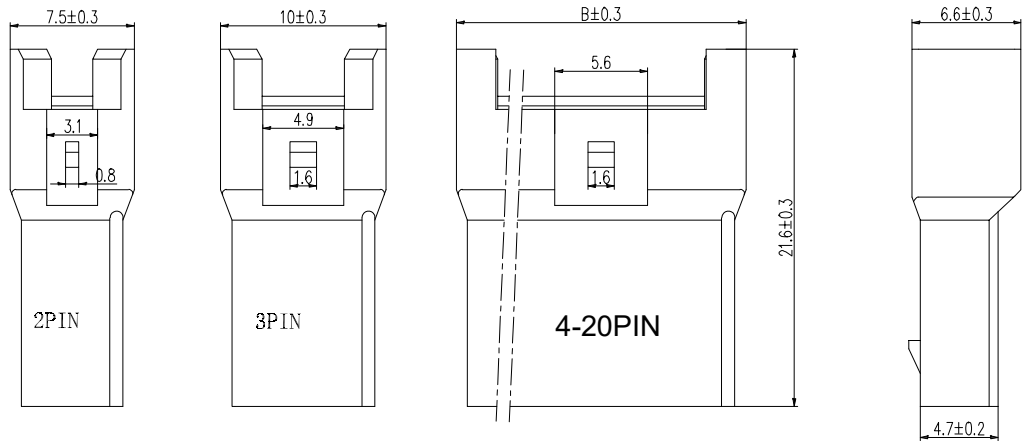
Used with: 2508WF (wire connector, female)



Part Number Information:



							General Tolerance	Zeakka Electronics				Document No.: ZK-2508TF						
							.X ±0.3					Title: TERMINAL, FEMALE, CRIMP TYPE, PHOSPHOR BRONZE, TIN, REEL						
							.XX ±0.2					APPR	CH'K	DRWN	Date	Dimensions	Scale	Version
							.XXX ±0.1					Kai Lee	Cris Wang	Jun Wei	2020.8.8	mm	1:1	A
Date	Version	EC No.	Description	DRWN	CH'K	APPR	THIRD ANGLE PROJECTION											



Specifications:

Current Rating: 3.0A AC/DC
 Voltage rating: 250V AC/DC
 Temperature range: -25°C to +85°C
 Contact resistance: 20mΩ max.
 Insulation resistance: 1000MΩ min.
 Withstand voltage: 1000V AC/minute

Circuits	Dimensions (mm)				
	A	B	C	D	E
2	2.50	7.50	5.90	7.90	11.20
3	5.00	10.00	8.40	10.40	13.70
4	7.50	12.50	10.90	12.90	16.20
5	10.00	15.00	13.40	15.40	18.70
6	12.50	17.50	15.90	17.90	21.20
7	15.00	20.00	18.40	20.40	23.70
8	17.50	22.50	20.90	22.90	26.20
9	20.00	25.00	23.40	25.40	28.70
10	22.50	27.50	25.90	27.90	31.20
11	25.00	30.00	28.40	30.40	33.70
12	27.50	32.50	30.90	32.90	36.20
13	30.00	35.00	33.40	35.40	38.70
14	32.50	37.50	35.90	37.90	41.20
15	35.00	40.00	38.40	40.40	43.70
20	47.50	52.50	50.90	52.90	56.20

Material:

Housing: nylon 66, UL94V-0, white

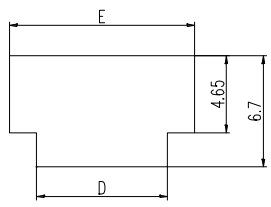
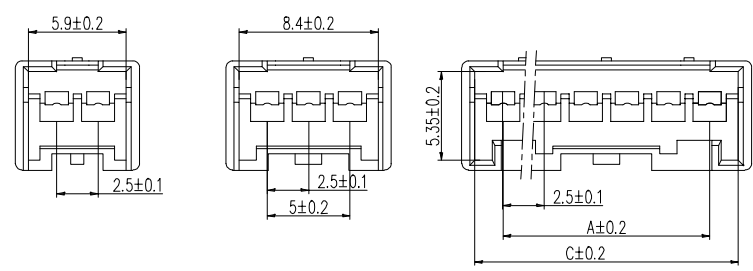
Mates with: 2508WF (wire connector, female)

Used with: 2508TM-PT (male terminal)

Part Number Information:

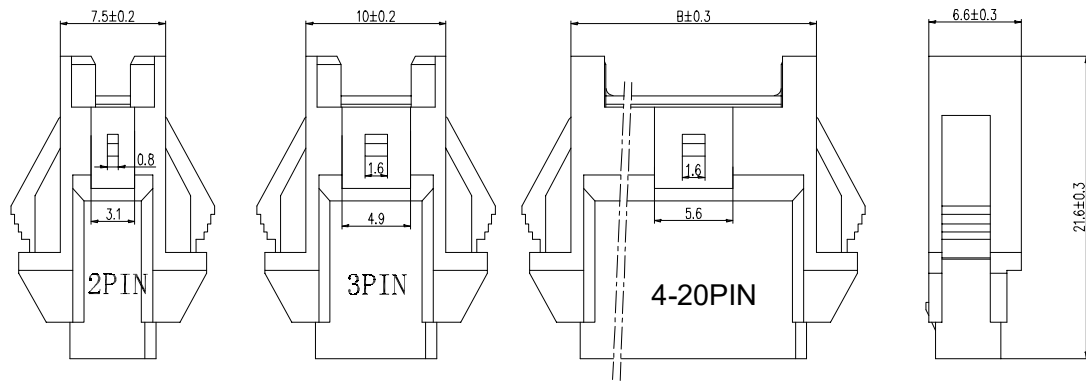
2508 WM - XX 00 WH

Series Number
 WM: wire connector, male
 No. of circuits, 02 to 20
 Material: 00-- nylon 66, UL94V-0
 Color: WH -- white



ASSEMBLY LAYOUT

							General Tolerance	Zeakka Electronics				Document No.: ZK-2508WM		
							.X ±0.3					Title: HOUSING, MALE, CRIMP TYPE, SINGLE ROW, 2.5MM PITCH		
							.XX ±0.2	APPR	CH'K	DRWN	Date	Dimensions	Scale	Version
Date	Version	EC No.	Description	DRWN	CH'K	APPR	.XXX ±0.1	Kai Lee	Cris Wang	Jun Wei	2020.8.8	mm	1:1	A
							THIRD ANGLE PROJECTION							



Specifications:

Current Rating: 3.0A AC/DC
 Voltage rating: 250V AC/DC
 Temperature range: -25°C to +85°C
 Contact resistance: 20mΩ max.
 Insulation resistance: 1000MΩ min.
 Withstand voltage: 1000V AC/minute

Circuits	Dimensions (mm)				
	A	B	C	D	E
2	2.50	7.50	5.90	7.90	11.20
3	5.00	10.00	8.40	10.40	13.70
4	7.50	12.50	10.90	12.90	16.20
5	10.00	15.00	13.40	15.40	18.70
6	12.50	17.50	15.90	17.90	21.20
7	15.00	20.00	18.40	20.40	23.70
8	17.50	22.50	20.90	22.90	26.20
9	20.00	25.00	23.40	25.40	28.70
10	22.50	27.50	25.90	27.90	31.20
11	25.00	30.00	28.40	30.40	33.70
12	27.50	32.50	30.90	32.90	36.20
13	30.00	35.00	33.40	35.40	38.70
14	32.50	37.50	35.90	37.90	41.20
15	35.00	40.00	38.40	40.40	43.70
20	47.50	52.50	50.90	52.90	56.20

Material:

Housing: nylon 66, UL94V-0, white

Mates with: 2508WF (wire connector, female)

Used with: 2508TM-PT (male terminal)

Part Number Information:

2508 WMA - XX 00 WH

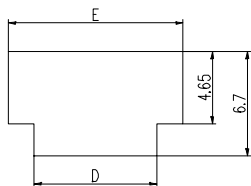
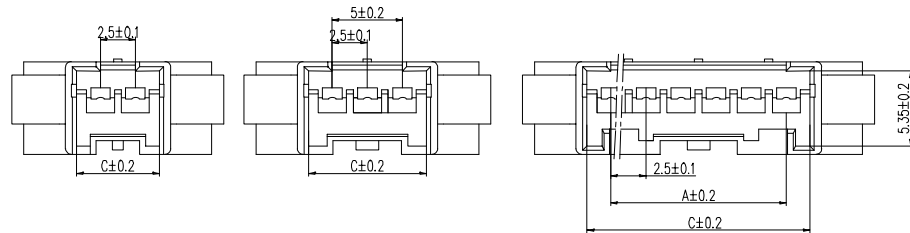
Series Number

WMA: wire conn, male, with panel locks

No. of circuits, 02 to 20

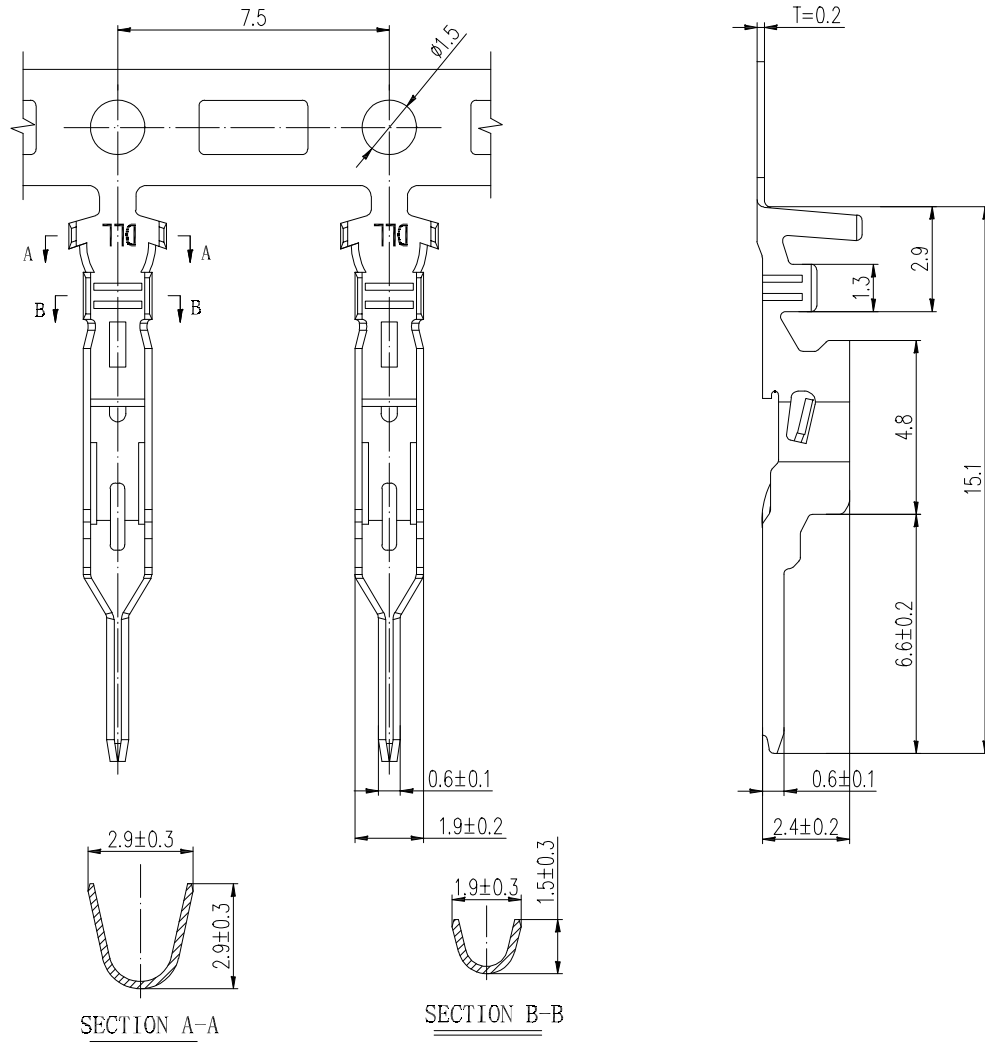
Material: 00-- nylon 66, UL94V-0

Color: WH -- white



ASSEMBLY LAYOUT

							General Tolerance	Zeakka Electronics				Document No.: ZK-2508WMA		
							.X ±0.3					Title: HOUSING, MALE, CRIMP TYPE, SINGLE ROW, 2.5MM PITCH		
							.XX ±0.2	APPR	CH'K	DRWN	Date	Dimensions	Scale	Version
							.XXX ±0.1							
Date	Version	EC No.	Description	DRWN	CH'K	APPR	THIRD ANGLE PROJECTION	Kai Lee	Cris Wang	Jun Wei	2020.8.8	mm	1:1	A



Specifications:

Current Rating: 3.0A AC/DC
 Voltage rating: 250V AC/DC
 Temperature range: -25°C to +85°C
 Contact resistance: 20mΩ max.
 Insulation resistance: 1000MΩ min.
 Withstand voltage: 1000V AC/minute
 Applicable wire: AWG28 - AWG20

Material:

Phosphor bronze

Used with:

2508WM (wire connector, male)
 2508WMA (wire connector, male, with panel locks)

Part Number Information:

2508 TM - P T

Series Number _____
 TM: terminal, male _____
 Material: P -- phosphor bronze _____
 Plating: T -- tin plating _____

							General Tolerance	<h1>Zeakka Electronics</h1>				Document No.: ZK-2508TM						
							.X ± 0.3					Title: TERMINAL, MALE, CRIMP TYPE, PHOSPHOR BRONZE, TIN, REEL						
							.XX ± 0.2					APPR	CH'K	DRWN	Date	Dimensions	Scale	Version
							.XXX ± 0.1					Kai Lee	Cris Wang	Jun Wei	2020.8.8	mm	1:1	A
Date	Version	EC No.	Description	DRWN	CH'K	APPR	THIRD ANGLE PROJECTION											