

Circuits	Dimensions (mm)	
	A	B
4	2.54	5.08
6	5.08	7.62
8	7.62	10.16
10	10.16	12.70
12	12.70	15.24
14	15.24	17.78
16	17.78	20.32
18	20.32	22.86
20	22.86	25.40
22	25.40	27.94
24	27.94	30.48
26	30.48	33.02
28	33.02	35.56
30	35.56	38.10
32	38.10	40.64
34	40.64	43.18
36	43.18	45.72
38	45.72	48.26
40	48.26	50.80
42	50.80	53.34
44	53.34	55.88
46	55.88	58.42
48	58.42	60.96
50	60.96	63.50
52	63.50	66.04
54	66.04	68.58

**Specifications:**

Current Rating: 5.0A AC/DC  
Voltage rating: 250V AC/DC  
Temperature range: -25°C to +85°C  
Contact resistance: 20mΩ max.  
Insulation resistance: 1000MΩ min.  
Withstand voltage: 1500V AC/minute

**Material:**

Housing: PBT, UL94V-0, black

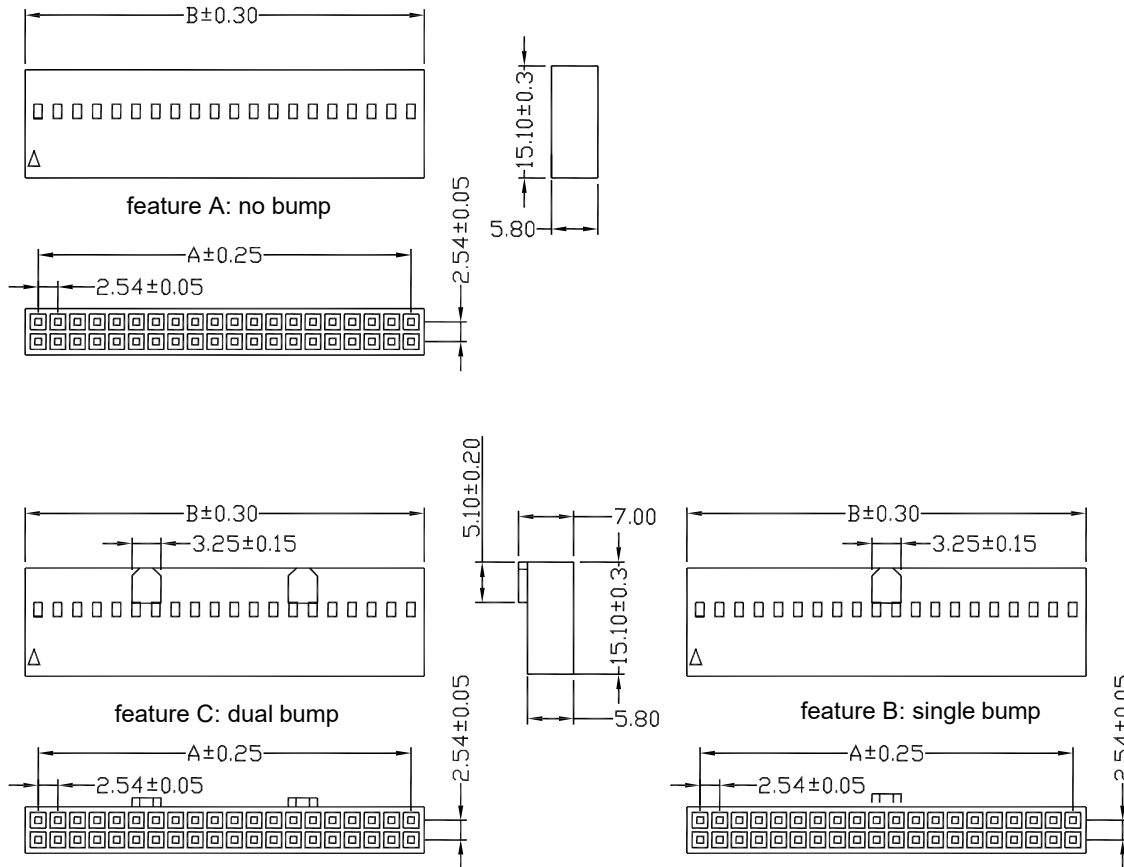
**Mates with:** 2.54mm dual row box header  
2.54mm dual row pin header

**Used with:** 2452TF-PX (female terminal)

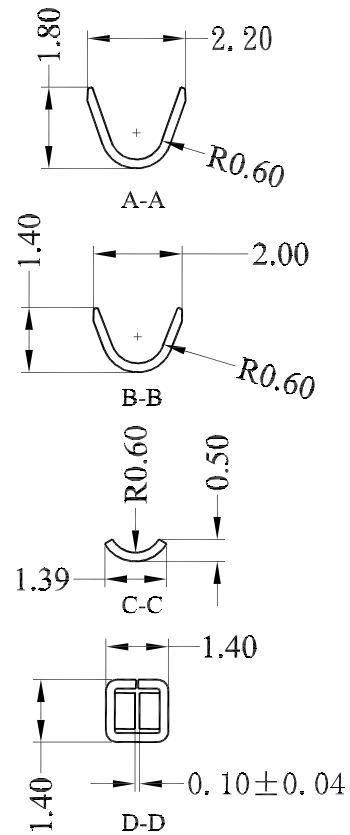
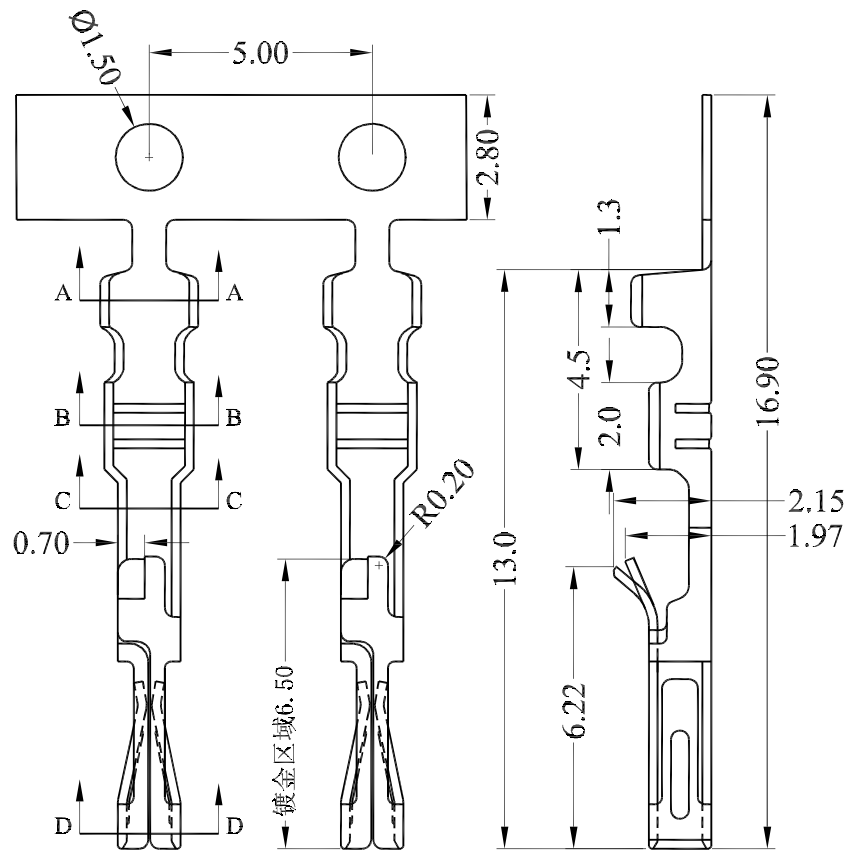
**Part Number Information:**

**2542 WX - XX 00 BK**

Series Number  
W: wire connector, X: feature code  
No. of circuits, 04 to 54  
Material: 05-- PBT, UL94V-0  
Color: BK -- black



Date	Version	EC No.	Description	DRWN	CH'K	APPR	General Tolerance	Zeakka Electronics				Document No.:	ZK-2542WX		
							.X ±0.3					APPR	CH'K	DRWN	Date
							.XX ±0.2	Kai Lee	Cris Wang	Jun Wei	2020.8.8	mm	1:1	A	
							.XXX ±0.1								
							THIRD ANGLE PROJECTION								



**Specifications:**

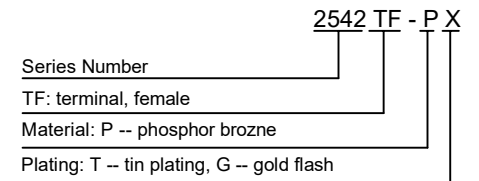
Current Rating: 3.0A AC/DC  
 Voltage rating: 250V AC/DC  
 Temperature range: -25°C to +85°C  
 Contact resistance: 20mΩ max.  
 Insulation resistance: 1000MΩ min.  
 Withstand voltage: 1500V AC/minute  
 Applicable wire: AWG28 - AWG22  
 Insulation OD: max 1.63mm

**Material:**

Phosphor bronze

Used with: 2542W (wire connector, female)

**Part Number Information:**



							General Tolerance	Zeakka Electronics				Document No.: ZK-2542TF			
							.X ±0.3					Title: TERMINAL, FEMALE, CRIMP TYPE, PHOSPHOR BRONZE, REEL			
							.XX ±0.2					APPR	CH'K	DRWN	Date
Date	Version	EC No.	Description	DRWN	CH'K	APPR	.XXX ±0.1	THIRD ANGLE PROJECTION	Kai Lee	Cris Wang	Jun Wei	2020.8.8	mm	1:1	A