

Circuits	Dimensions (mm)		
	A	B	C
2	2.54	8.89	5.33
3	5.08	11.43	7.87
4	7.62	13.97	10.41
5	10.16	16.51	12.95
6	12.70	19.05	15.49
7	15.24	21.59	18.03
8	17.78	24.13	20.57
9	20.32	26.67	23.11
10	22.86	29.21	25.65
11	25.40	31.75	28.19
12	27.94	34.29	30.73
13	30.48	36.83	33.27
14	33.02	39.37	35.81
15	35.56	41.91	38.35

Specifications:

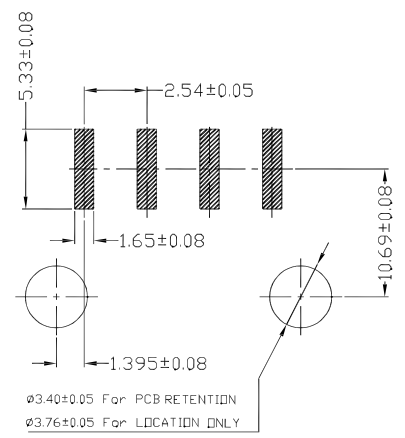
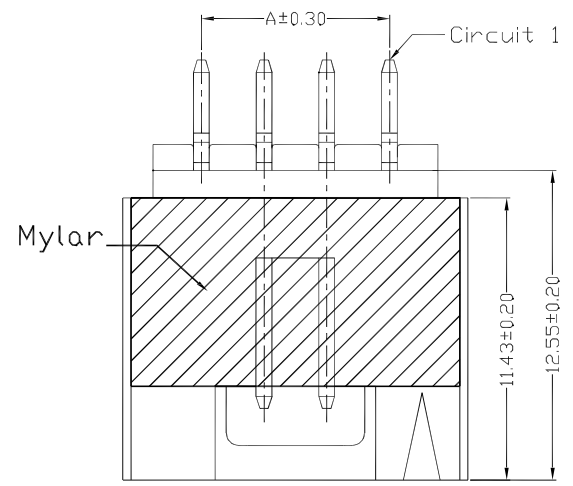
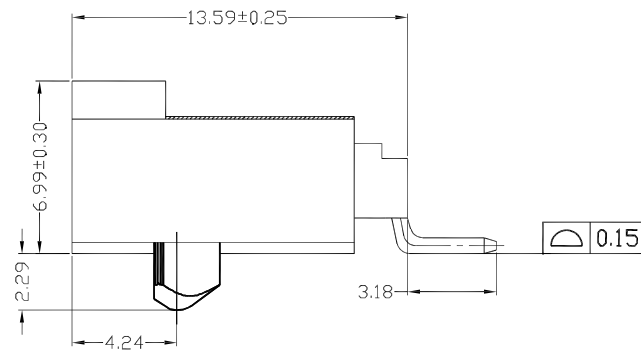
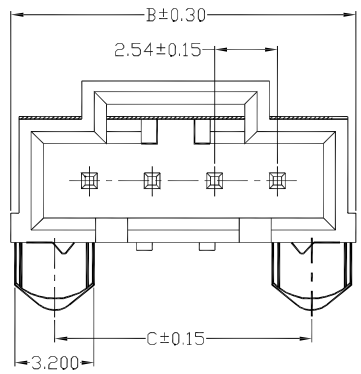
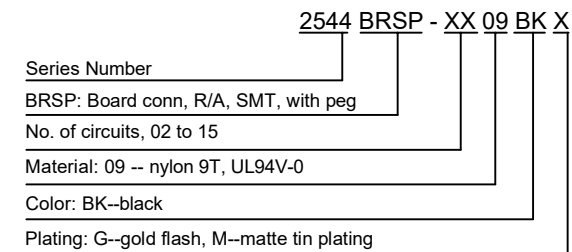
Current Rating: 2.5A AC/DC
Voltage rating: 250V AC/DC
Temperature range: -25°C to +85°C
Contact resistance: 20mΩ max.
Insulation resistance: 1000MΩ min.
Withstand voltage: 1500V AC/minute
Package: tape & reel

Material:

Housing: nylon 9T, UL94V-0, black
PIN: brass

Mates with: 2544WFG (wire connector, female, positive latch)
2544WFC (wire connector, female, front ribs)
2544WFA (wire connector, female, non-polarized)

Part Number Information:



Recommand PCB Layout

							General Tolerance	Zeakka Electronics				Document No.: ZK-2544BRSP		
							.X ±0.3					Title: HEADER, R/A, SMT TYPE, SINGLE ROW, 2.54MM PITCH		
							.XX ±0.2	APPR	CH'K	DRWN	Date	Dimensions	Scale	Version
Date	Version	EC No.	Description	DRWN	CH'K	APPR	.XXX ±0.1	Kai Lee	Cris Wang	Jun Wei	2020.8.8	mm	1:1	A
							THIRD ANGLE PROJECTION							

Circuits	Dimensions (mm)	
	A	B
2	2.54	8.89
3	5.08	11.43
4	7.62	13.97
5	10.16	16.51
6	12.70	19.05
7	15.24	21.59
8	17.78	24.13
9	20.32	26.67
10	22.86	29.21
11	25.40	31.75
12	27.94	34.29
13	30.48	36.83
14	33.02	39.37
15	35.56	41.91

Specifications:

Current Rating: 2.5A AC/DC
Voltage rating: 250V AC/DC
Temperature range: -25°C to +85°C
Contact resistance: 20mΩ max.
Insulation resistance: 1000MΩ min.
Withstand voltage: 1500V AC/minute
Package: tape & reel

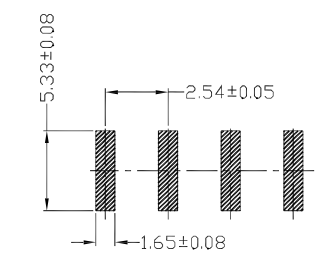
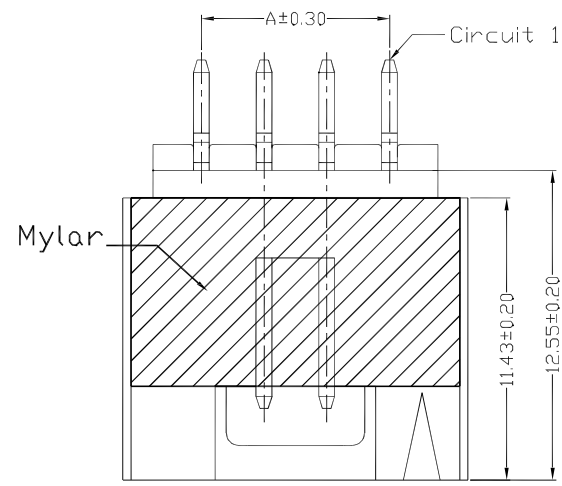
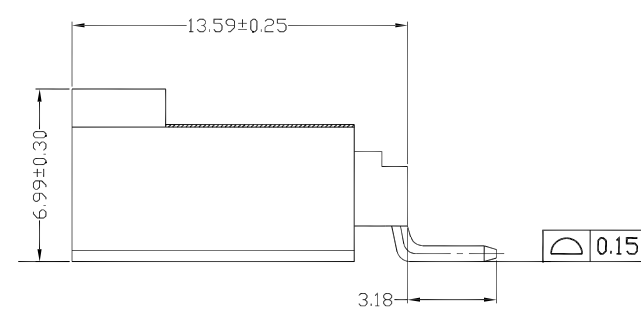
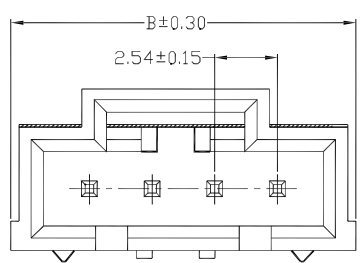
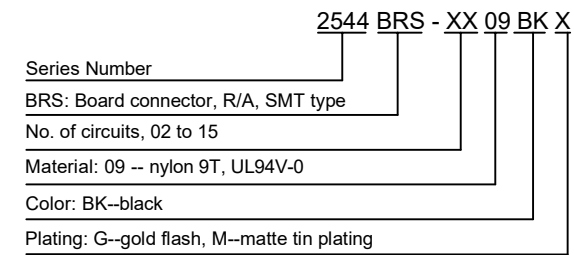
Material:

Housing: nylon 9T, UL94V-0, black
PIN: brass

Mates with:

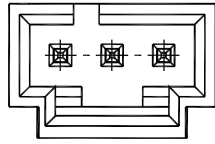
- 2544WFG (wire connector, female, positive latch)
- 2544WFC (wire connector, female, front ribs)
- 2544WFA (wire connector, female, non-polarized)

Part Number Information:

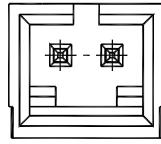


Recommand PCB Layout

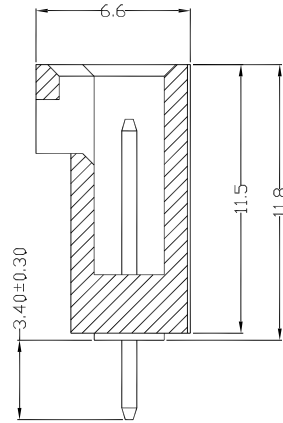
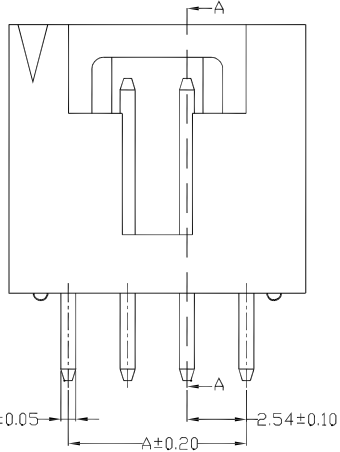
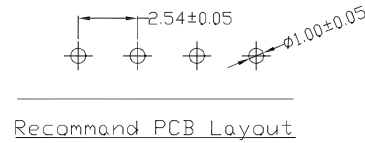
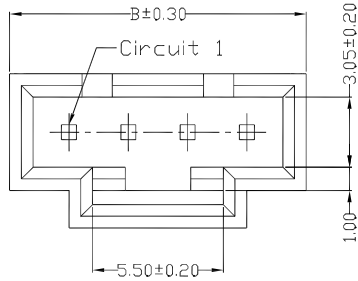
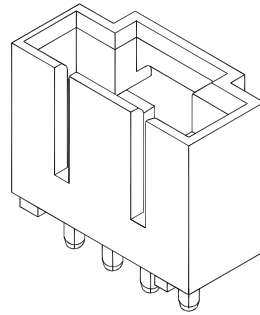
							General Tolerance	Zeakka Electronics				Document No.: ZK-2544BRS		
							.X ±0.3					Title: HEADER, R/A, SMT TYPE, SINGLE ROW, 2.54MM PITCH		
							.XX ±0.2	APPR	CH'K	DRWN	Date	Dimensions	Scale	Version
Date	Version	EC No.	Description	DRWN	CH'K	APPR	.XXX ±0.1	Kai Lee	Cris Wang	Jun Wei	2020.8.8	mm	1:1	A
							THIRD ANGLE PROJECTION							



3P



2P



SECTION A-A
SCALE 1:1

Specifications:

Current Rating: 2.5A AC/DC
 Voltage rating: 250V AC/DC
 Temperature range: -25°C to +85°C
 Contact resistance: 20mΩ max.
 Insulation resistance: 1000MΩ min.
 Withstand voltage: 1500V AC/minute

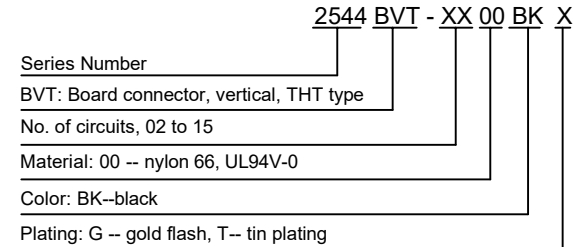
Material:

Housing: nylon 66, UL94V-0, black
 PIN: brass

Circuits	Dimensions (mm)	
	A	B
2	2.54	7.62
3	5.08	10.16
4	7.62	12.70
5	10.16	15.24
6	12.70	17.78
7	15.24	20.32
8	17.78	22.86
9	20.32	25.40
10	22.86	27.94
11	25.40	30.48
12	27.94	33.02
13	30.48	35.56
14	33.02	38.10
15	35.56	40.64

Mates with: 2544WFG (wire connector, female, positive latch)
 2544WFC (wire connector, female, front ribs)
 2544WFA (wire connector, female, non-polarized)

Part Number Information:



Date	Version	EC No.	Description	DRWN	CH'K	APPR	General Tolerance				Zeakka Electronics				Document No.:											
							.X ±0.3				APPR				CH'K				DRWN				ZK-2544BVT			
							.XX ±0.2																Title: HEADER, VERTICAL, THT TYPE, SINGLE ROW, 2.54MM PITCH			
							.XXX ±0.1				Date				Dimensions				Scale				Version			
							THIRD ANGLE PROJECTION	Kai Lee	Cris Wang	Jun Wei	2020.8.8	mm	1:1	A												

Circuits	Dimensions (mm)	
	A	B
2	2.54	7.62
3	5.08	10.16
4	7.62	12.70
5	10.16	15.24
6	12.70	17.78
7	15.24	20.32
8	17.78	22.86
9	20.32	25.40
10	22.86	27.94
11	25.40	30.48
12	27.94	33.02
13	30.48	35.56
14	33.02	38.10
15	35.56	40.64

Specifications:

Current Rating: 2.5A AC/DC
Voltage rating: 250V AC/DC
Temperature range: -25°C to +85°C
Contact resistance: 20mΩ max.
Insulation resistance: 1000MΩ min.
Withstand voltage: 1500V AC/minute

Material:

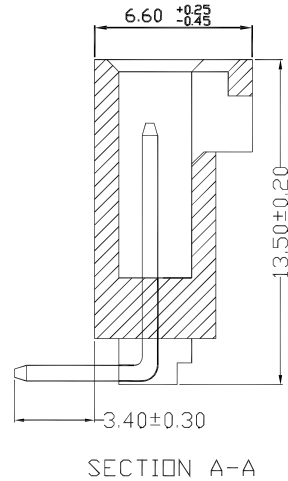
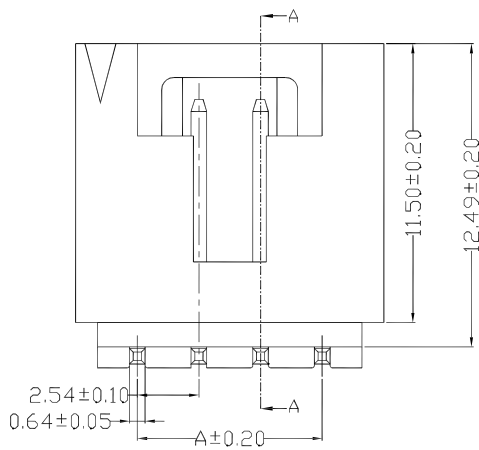
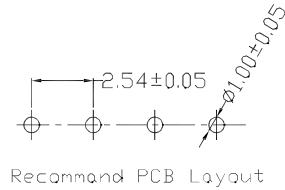
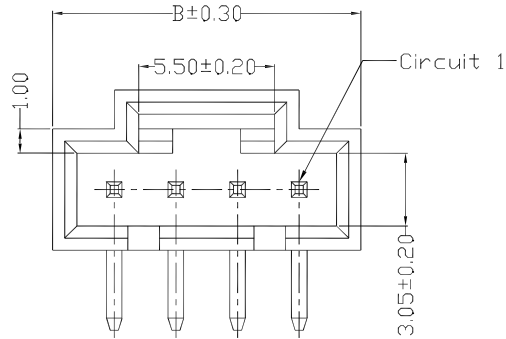
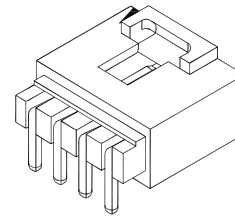
Housing: nylon 66, UL94V-0, black
PIN: brass

Mates with: 2544WFG (wire connector, female, positive latch)
2544WFC (wire connector, female, front ribs)
2544WFA (wire connector, female, non-polarized)

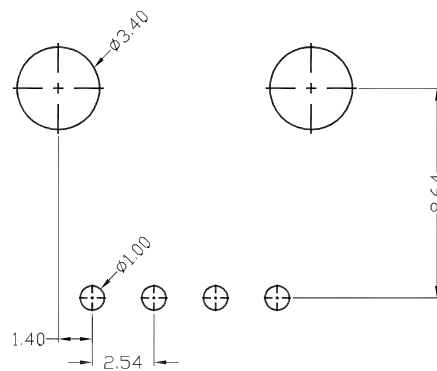
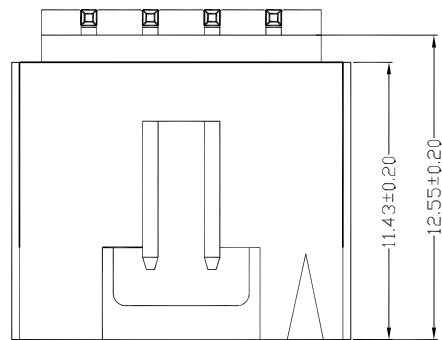
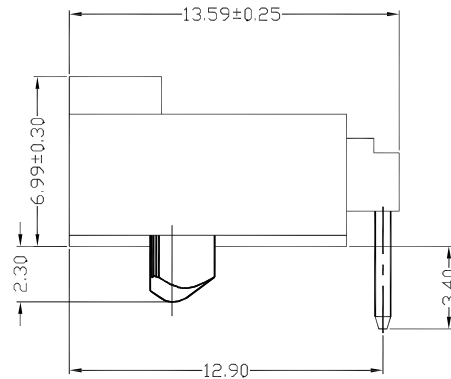
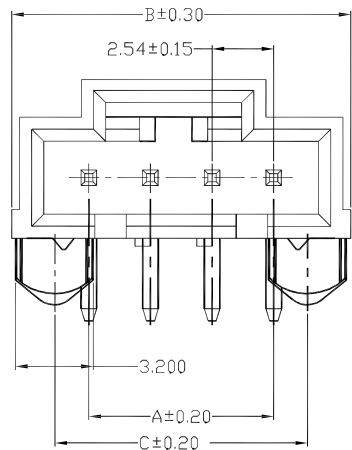
Part Number Information:

2544 BRT - XX 00 BK X

Series Number
BRT: Board connector, R/A, THT type
No. of circuits, 02 to 15
Material: 00 -- nylon 66, UL94V-0
Color: BK--black
Plating: G--gold flash, T-- tin plating



							General Tolerance	Zeakka Electronics				Document No.: ZK-2544BRT		
							.X ±0.3					Title: HEADER, R/A, THT TYPE, SINGLE ROW, 2.54MM PITCH,		
							.XX ±0.2	APPR	CH'K	DRWN	Date	Dimensions	Scale	Version
Date	Version	EC No.	Description	DRWN	CH'K	APPR	.XXX ±0.1	Kai Lee	Cris Wang	Jun Wei	2020.8.8	mm	1:1	A
							THIRD ANGLE PROJECTION							



Recommad PCB Layout

Specifications:

Current Rating: 2.5A AC/DC
 Voltage rating: 250V AC/DC
 Temperature range: -25°C to +85°C
 Contact resistance: 20mΩ max.
 Insulation resistance: 1000MΩ min.
 Withstand voltage: 1500V AC/minute

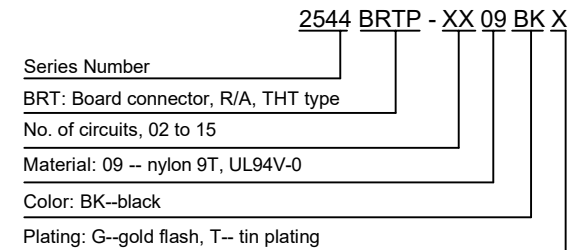
Material:

Housing: nylon 66, UL94V-0, black
 PIN: brass

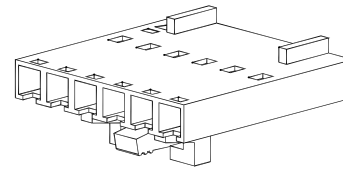
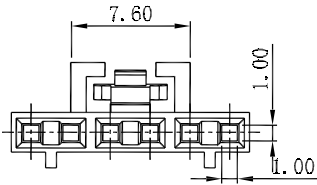
Circuits	Dimensions (mm)		
	A	B	C
3	5.08	11.43	7.87
4	7.62	13.97	10.41
5	10.16	16.51	12.95
6	12.70	19.05	15.49
7	15.24	21.59	18.03
8	17.78	24.13	20.57
9	20.32	26.67	23.11
10	22.86	29.21	25.65
11	25.40	31.75	28.19
12	27.94	34.29	30.73
13	30.48	36.83	33.27
14	33.02	39.37	35.81
15	35.56	41.91	38.35

Mates with: 2544WFG (wire connector, female, positive latch)
 2544WFC (wire connector, female, front ribs)
 2544WFA (wire connector, female, non-polarized)

Part Number Information:



							General Tolerance	Zeakka Electronics				Document No.: ZK-2544BRT		
							.X ±0.3					Title: HEADER, R/A, THT TYPE, SINGLE ROW, 2.54MM PITCH		
							.XX ±0.2	APPR	CH'K	DRWN	Date	Dimensions	Scale	Version
Date	Version	EC No.	Description	DRWN	CH'K	APPR	.XXX ±0.1	Kai Lee	Cris Wang	Jun Wei	2020.8.8	mm	1:1	A
							THIRD ANGLE PROJECTION							



Specifications:

Current Rating: 2.5A AC/DC
 Voltage rating: 250V AC/DC
 Temperature range: -25°C to +85°C
 Contact resistance: 20mΩ max.
 Insulation resistance: 1000MΩ min.
 Withstand voltage: 1000V AC/minute

Circuits	Dimensions (mm)	
	A	B
2	5.08	2.54
3	7.62	5.08
4	10.16	7.62
5	12.70	10.16
6	15.24	12.70
7	17.78	15.24
8	20.32	17.78
9	22.86	20.32
10	25.40	22.86
11	27.94	25.40
12	30.48	27.94
13	33.02	30.48
14	35.56	33.02
15	38.10	35.56
16	40.64	38.10
17	43.18	40.64
18	45.72	43.18
19	48.26	45.72
20	50.80	48.26

Material:

Housing: nylon 66, UL94V-0, black

Mates with: 2544BVT (header, vertical, THT type)
 2544BRT (header, R/A, THT type)
 2544BRTP (header, R/A, THT type, with peg)
 2544BVS (header, vertical, SMT type)
 2544BRS (header, R/A, SMT type)
 2544BRSP (header, R/A, SMT type, with peg)
 2544WWM (wire connector, male)

Used with: 2544TF-PX (female terminal)

Part Number Information:

2544 WFG - XX 00 BK

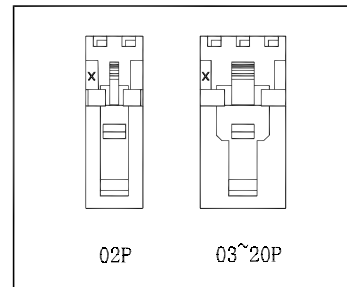
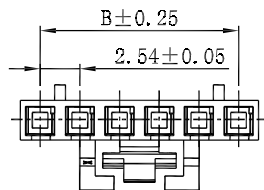
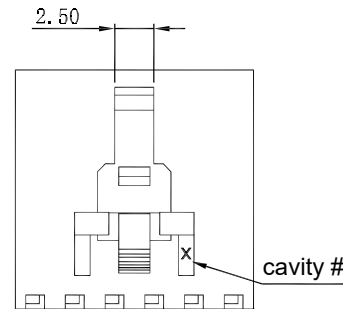
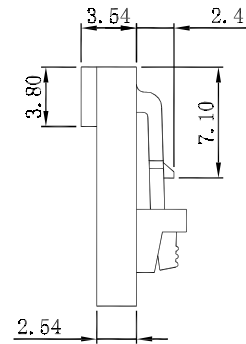
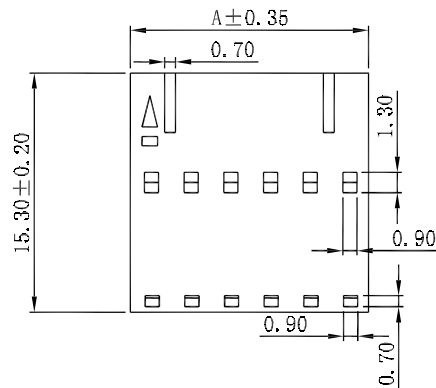
Series Number

WFG: wire conn, female, positive latch

No. of circuits, 02 to 20

Material: 00-- nylon 66, UL94V-0

Color: BK -- black



							General Tolerance	Zeakka Electronics				Document No.: ZK-2544WFG		
							.X ±0.3					Title: HOUSING, FEMALE, CRIMP TYPE, SINGLE ROW, 2.54MM PITCH, VERSION G		
							.XX ±0.2	APPR	CH'K	DRWN	Date	Dimensions	Scale	Version
Date	Version	EC No.	Description	DRWN	CH'K	APPR	.XXX ±0.1	Kai Lee	Cris Wang	Jun Wei	2020.8.8	mm	1:1	A
							THIRD ANGLE PROJECTION							

Circuits	Dimensions (mm)	
	A	B
2	5.08	2.54
3	7.62	5.08
4	10.16	7.62
5	12.70	10.16
6	15.24	12.70
7	17.78	15.24
8	20.32	17.78
9	22.86	20.32
10	25.40	22.86
11	27.94	25.40
12	30.48	27.94
13	33.02	30.48
14	35.56	33.02
15	38.10	35.56
16	40.64	38.10
17	43.18	40.64
18	45.72	43.18
19	48.26	45.72
20	50.80	48.26

Specifications:

Current Rating: 2.5A AC/DC
Voltage rating: 250V AC/DC
Temperature range: -25°C to +85°C
Contact resistance: 20mΩ max.
Insulation resistance: 1000MΩ min.
Withstand voltage: 1000V AC/minute

Material:

Housing: nylon 66, UL94V-0, black

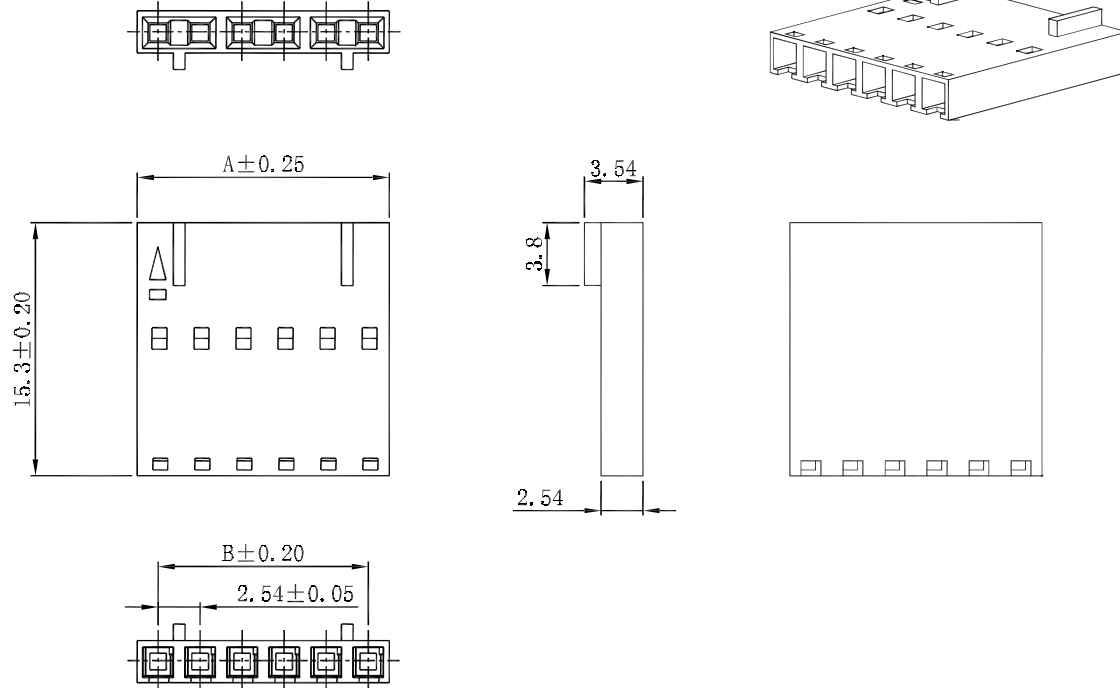
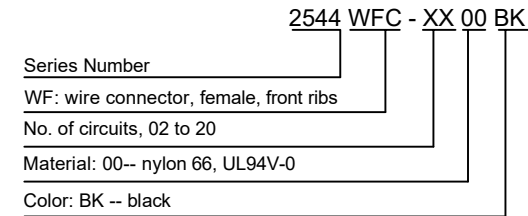
Mates with:

- 2544BVT (header, vertical, THT type)
- 2544BRT (header, R/A, THT type)
- 2544BRTP (header, R/A, THT type, with peg)
- 2544BVS (header, vertical, SMT type)
- 2544BRS (header, R/A, SMT type)
- 2544BRSP (header, R/A, SMT type, with peg)
- 2544WWM (wire connector, male)

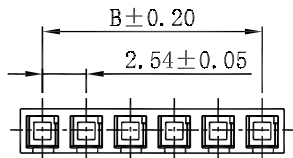
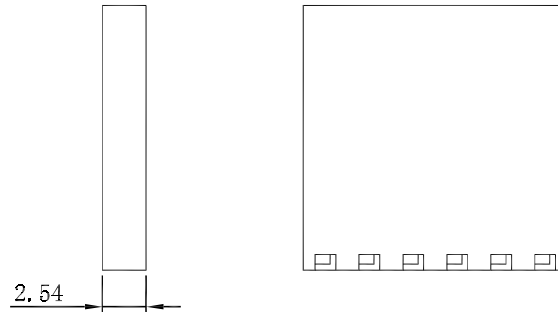
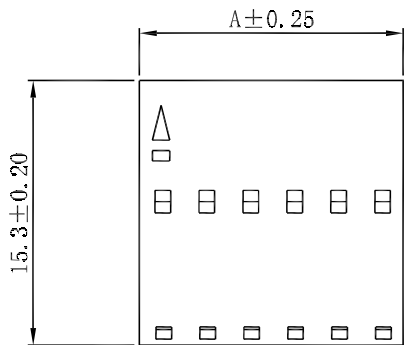
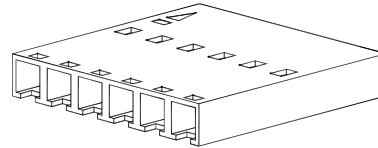
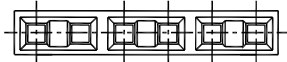
Used with:

2544TF-PX (female terminal)

Part Number Information:



							General Tolerance	Zeakka Electronics				Document No.: ZK-2544WFC		
							.X ±0.3					Title: HOUSING, FEMALE, CRIMP TYPE, SINGLE ROW, 2.54MM PITCH, VERSION C		
							.XX ±0.2	APPR	CH'K	DRWN	Date	Dimensions	Scale	Version
Date	Version	EC No.	Description	DRWN	CH'K	APPR	.XXX ±0.1	Kai Lee	Cris Wang	Jun Wei	2020.8.8	mm	1:1	A
							THIRD ANGLE PROJECTION							



Specifications:

Current Rating: 2.5A AC/DC
 Voltage rating: 250V AC/DC
 Temperature range: -25°C to +85°C
 Contact resistance: 20mΩ max.
 Insulation resistance: 1000MΩ min.
 Withstand voltage: 1000V AC/minute

Circuits	Dimensions (mm)	
	A	B
2	5.08	2.54
3	7.62	5.08
4	10.16	7.62
5	12.70	10.16
6	15.24	12.70
7	17.78	15.24
8	20.32	17.78
9	22.86	20.32
10	25.40	22.86
11	27.94	25.40
12	30.48	27.94
13	33.02	30.48
14	35.56	33.02
15	38.10	35.56
16	40.64	38.10
17	43.18	40.64
18	45.72	43.18
19	48.26	45.72
20	50.80	48.26

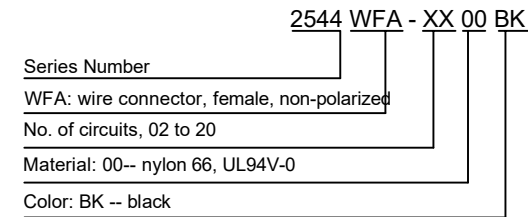
Material:

Housing: nylon 66, UL94V-0, black

Mates with: 2544BVT (header, vertical, THT type)
 2544BRT (header, R/A, THT type)
 2544BRTP (header, R/A, THT type, with peg)
 2544BVS (header, vertical, SMT type)
 2544BRS (header, R/A, SMT type)
 2544BRSP (header, R/A, SMT type, with peg)
 2544WM (wire connector, male)

Used with: 2544TF-PX (female terminal)

Part Number Information:



Date	Version	EC No.	Description	DRWN	CH'K	APPR	General Tolerance				Zeakka Electronics				Document No.:	ZK-2544WFA
							.X ±0.3	.XX ±0.2	.XXX ±0.1	APPR	CH'K	DRWN	Date	Dimensions	Scale	Version
							THIRD ANGLE PROJECTION	⊕	≡	Kai Lee	Cris Wang	Jun Wei	2020.8.8	mm	1:1	A

Specifications:

Current Rating: 3.0A AC/DC
 Voltage rating: 250V AC/DC
 Temperature range: -25°C to +85°C
 Contact resistance: 20mΩ max.
 Insulation resistance: 1000MΩ min.
 Withstand voltage: 1500V AC/minute
 Applicable wire: AWG28 - AWG22
 Insulation OD: max 1.63mm

Material:

Phosphor bronze

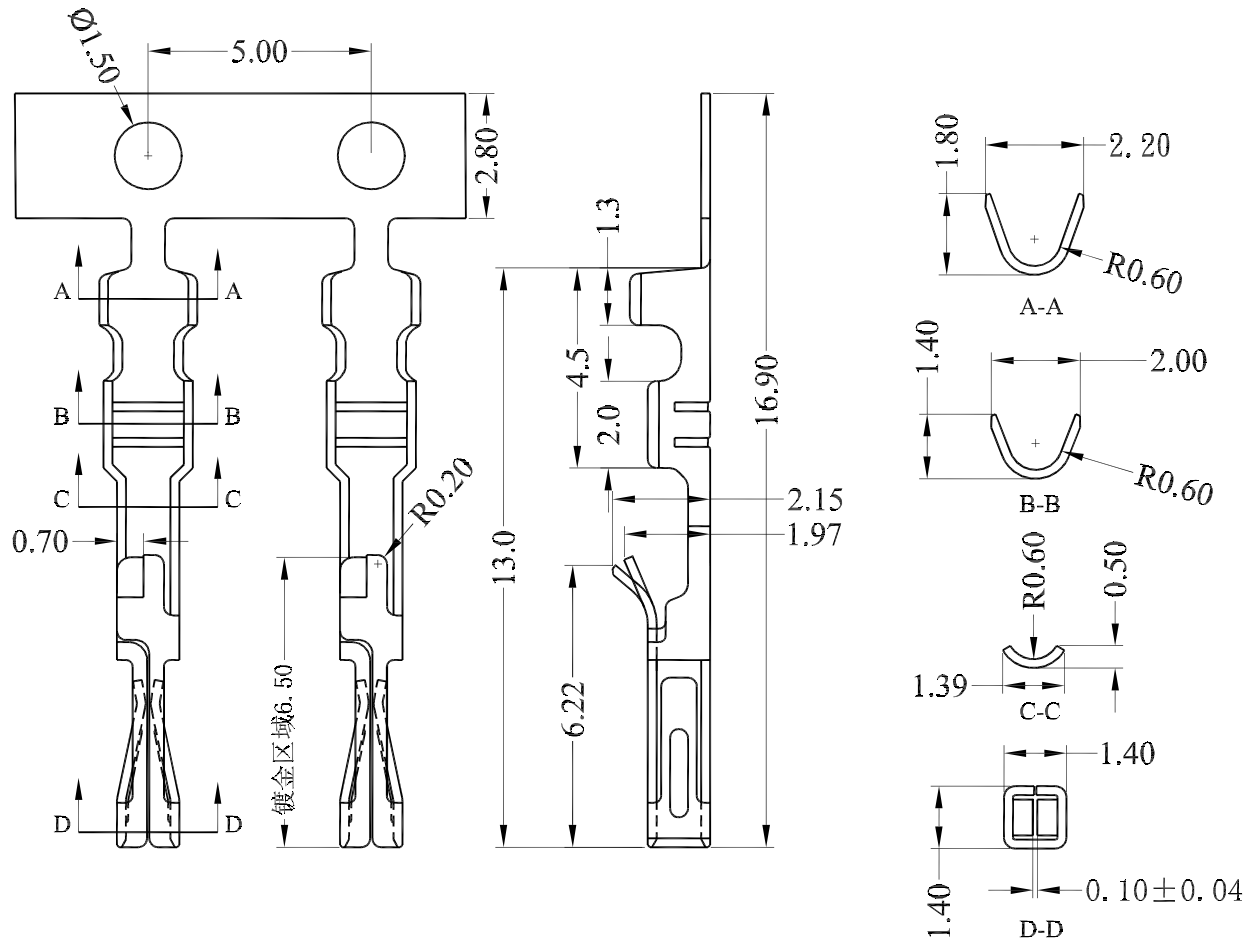
Used with:

2544WFG (wire connector, female, positive latch)
 2544WFC (wire connector, female, front ribs)
 2544WFA (wire connector, female, non-polarized)

Part Number Information:

2544 TF - P X

Series Number _____
 TF: terminal, female _____
 Material: P -- phosphor bronze _____
 Plating: T -- tin plating, G -- gold flash _____



							General Tolerance	Zeakka Electronics				Document No.: ZK-2544TF						
							.X ± 0.3					Title: TERMINAL, FEMALE, CRIMP TYPE, PHOSPHOR BRONZE, REEL						
							.XX ± 0.2					APPR	CH'K	DRWN	Date	Dimensions	Scale	Version
							.XXX ± 0.1					Kai Lee	Cris Wang	Jun Wei	2020.8.8	mm	1:1	A
Date	Version	EC No.	Description	DRWN	CH'K	APPR	THIRD ANGLE PROJECTION											

Circuits	Dimensions (mm)	
	A	B
2	2.54	7.11
3	5.08	9.65
4	7.62	12.19
5	10.16	14.73
6	12.70	17.27
7	15.24	19.81
8	17.78	22.35
9	20.32	24.89
10	22.86	27.43
11	25.40	29.97
12	27.94	32.51
13	30.48	35.05
14	33.02	37.59
15	35.56	40.13
16	38.10	42.67
17	40.64	45.21
18	43.18	47.75
19	45.72	50.29
20	48.26	52.83

Specifications:

Current Rating: 2.5A AC/DC
Voltage rating: 250V AC/DC
Temperature range: -25°C to +85°C
Contact resistance: 20mΩ max.
Insulation resistance: 1000MΩ min.
Withstand voltage: 1000V AC/minute

Material:

Housing: nylon 66, UL94V-0, black

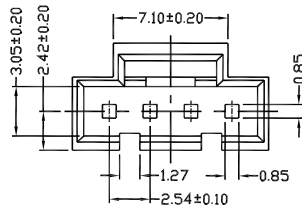
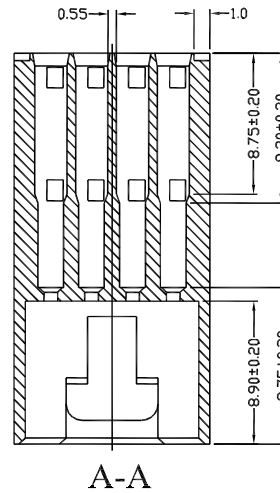
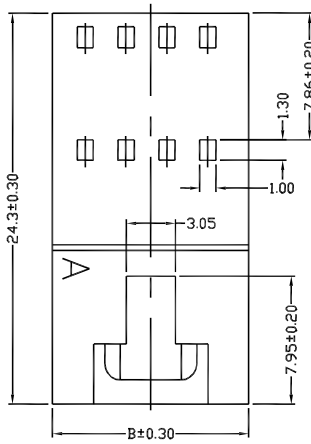
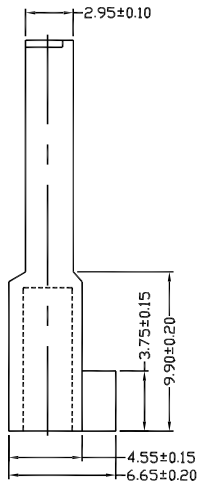
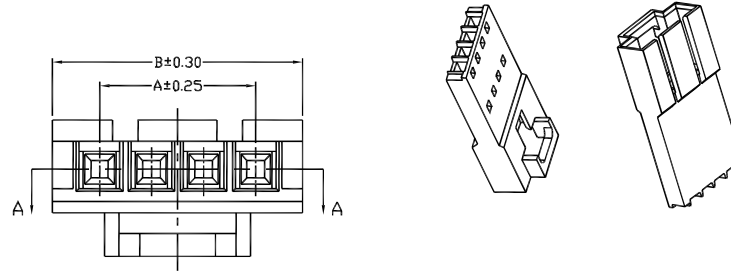
Mates with: 2544WFG (wire connector, female, positive latch)
2544WFC (wire connector, female, front ribs)
2544WFA (wire connector, female, non-polarized)

Used with: 2544TM-PX (male terminal)

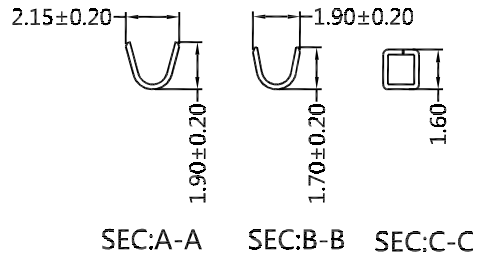
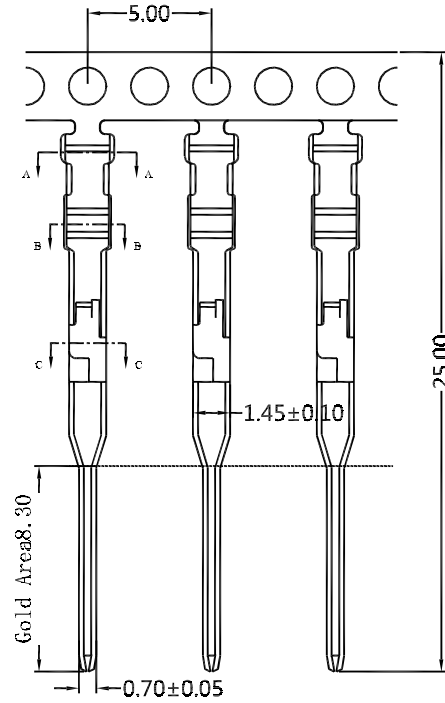
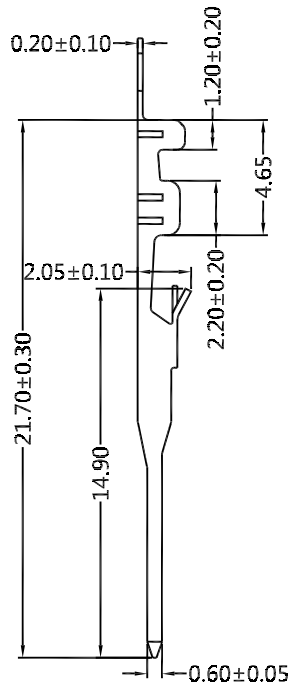
Part Number Information:

2544 WM - XX 00 BK

Series Number
WM: wire connector, male
No. of circuits, 02 to 20
Material: 00-- nylon 66, UL94V-0
Color: BK -- black



							General Tolerance	Zeakka Electronics				Document No.: ZK-2544WM		
							.X ±0.3					Title: HOUSING, MALE, CRIMP TYPE, SINGLE ROW, 2.54MM PITCH		
							.XX ±0.2	APPR	CH'K	DRWN	Date	Dimensions	Scale	Version
Date	Version	EC No.	Description	DRWN	CH'K	APPR	.XXX ±0.1	Kai Lee	Cris Wang	Jun Wei	2020.8.8	mm	1:1	A
							THIRD ANGLE PROJECTION							



Specifications:

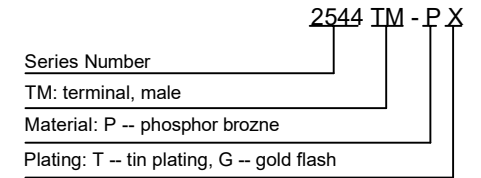
Current Rating: 3.0A AC/DC
 Voltage rating: 250V AC/DC
 Temperature range: -25°C to +85°C
 Contact resistance: 20mΩ max.
 Insulation resistance: 1000MΩ min.
 Withstand voltage: 1500V AC/minute
 Applicable wire: AWG22 - AWG24
 Insulation OD: max 1.63mm

Material:

Phosphor bronze

Used with: 2544WM (wire connector, male)

Part Number Information:



							General Tolerance	Zeakka Electronics				Document No.: ZK-2544TM						
							.X ±0.3					Title: TERMINAL, MALE, CRIMP TYPE, PHOSPHOR BRONZE, REEL						
							.XX ±0.2					APPR	CH'K	DRWN	Date	Dimensions	Scale	Version
							.XXX ±0.1					Kai Lee	Cris Wang	Jun Wei	2020.8.8	mm	1:1	A
Date	Version	EC No.	Description	DRWN	CH'K	APPR	THIRD ANGLE PROJECTION											