

**Specifications:**

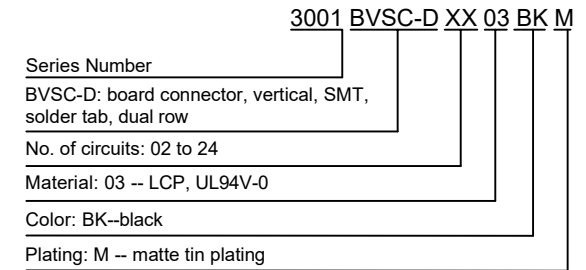
Current Rating: 5.0A AC/DC  
 Voltage rating: 250V AC/DC  
 Temperature range: -40°C to +105°C  
 Contact resistance: 10mΩ max.  
 Insulation resistance: 1000MΩ min.  
 Withstand voltage: 1000V AC/minute  
 Package: tape & reel

**Material:**

Housing: LCP, UL94V-0, black  
 PIN: brass  
 Retention clip: brass

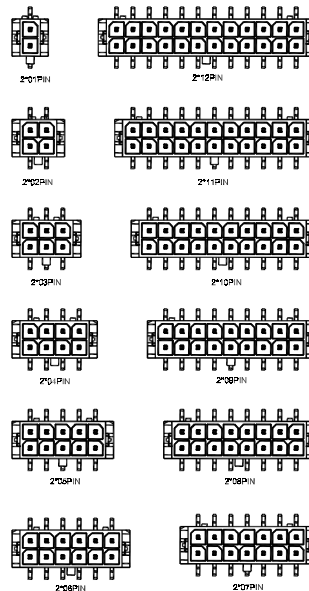
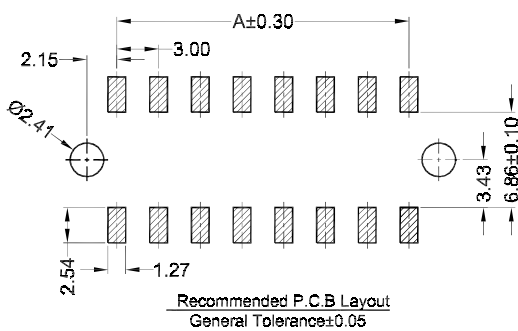
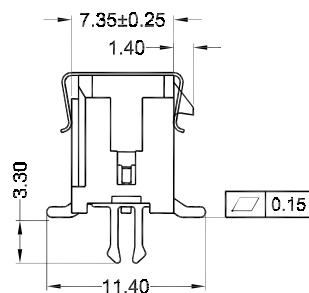
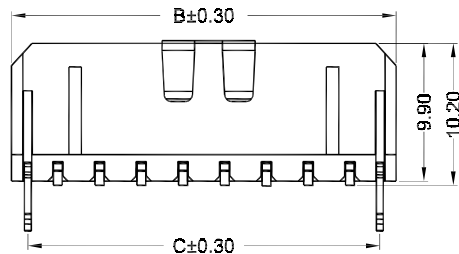
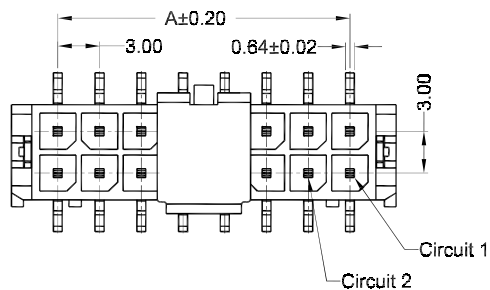
Mates with: 3001WF-D (wire connector, female, dual row)

**Part Number Information:**



Circuits	Dimensions (mm)	
	A	B
2	-	6.65
4	3.00	9.65
6	6.00	12.65
8	9.00	15.65
10	12.00	18.65
12	15.00	21.65
14	18.00	24.65
16	21.00	27.65
18	24.00	30.65
20	27.00	33.65
22	30.00	36.65
24	33.00	39.65

Date	Version	EC No.	Description	DRWN	CH'K	APPR	General Tolerance	Zeakka Electronics				Document No.:	ZK-3001BVSC-D		
							.X ±0.3	APPR	CH'K	DRWN	Date	Dimensions	Scale	Version	
							.XX ±0.2	Kai Lee	Cris Wang	Jun Wei	2020.8.8	mm	1:1	A	
							.XXX ±0.1								
							THIRD ANGLE PROJECTION								



**Specifications:**

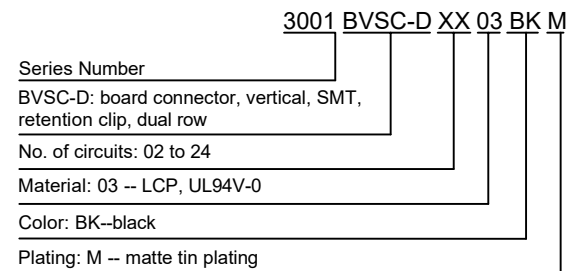
Current Rating: 5.0A AC/DC  
 Voltage rating: 250V AC/DC  
 Temperature range: -40°C to +105°C  
 Contact resistance: 10mΩ max.  
 Insulation resistance: 1000MΩ min.  
 Withstand voltage: 1000V AC/minute  
 Package: tape & reel

**Material:**

Housing: LCP, UL94V-0, black  
 PIN: brass  
 Retention clip: brass

Mates with: 3001WF-D (wire connector, female, dual row)

**Part Number Information:**



Circuits	Dimensions (mm)		
	A	B	C
2	-	6.65	4.30
4	3.00	9.65	7.30
6	6.00	12.65	10.30
8	9.00	15.65	13.30
10	12.00	18.65	16.30
12	15.00	21.65	19.30
14	18.00	24.65	22.30
16	21.00	27.65	25.30
18	24.00	30.65	28.30
20	27.00	33.65	31.30
22	30.00	36.65	34.30
24	33.00	39.65	37.30

Date	Version	EC No.	Description	DRWN	CH'K	APPR	General Tolerance	Zeakka Electronics				Document No.:	ZK-3001BVSC-D		
							.X ±0.3	APPR	CH'K	DRWN	Date	Dimensions	Scale	Version	
						.XX ±0.2									
						.XXX ±0.1									
							THIRD ANGLE PROJECTION	Kai Lee	Cris Wang	Jun Wei	2020.8.8	mm	1:1	A	

Circuits	Dimensions (mm)	
	A	B
2	6.65	-
4	9.65	3.00
6	12.65	6.00
8	15.65	9.00
10	18.65	12.00
12	21.65	15.00
14	24.65	18.00
16	27.65	21.00
18	30.65	24.00
20	33.65	27.00
22	36.65	30.00
24	39.65	33.00

**Specifications:**

Current Rating: 5.0A AC/DC  
Voltage rating: 250V AC/DC  
Temperature range: -40°C to +105°C  
Contact resistance: 10mΩ max.  
Insulation resistance: 1000MΩ min.  
Withstand voltage: 1000V AC/minute  
Package: tape & reel

**Material:**

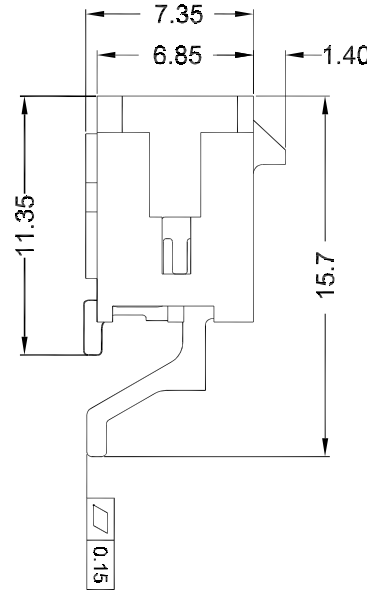
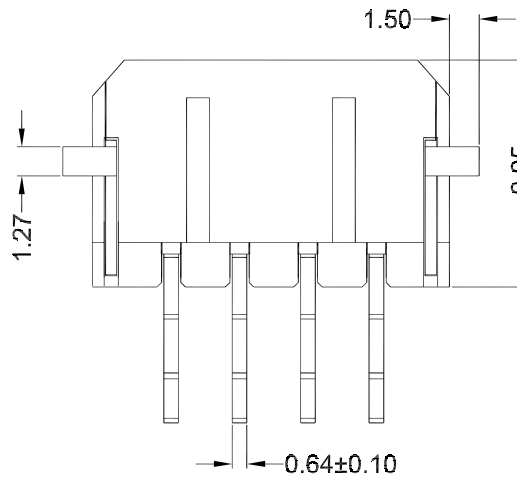
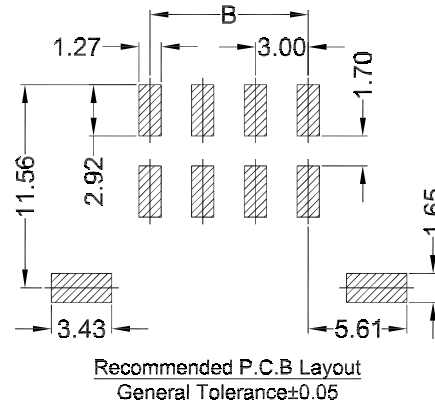
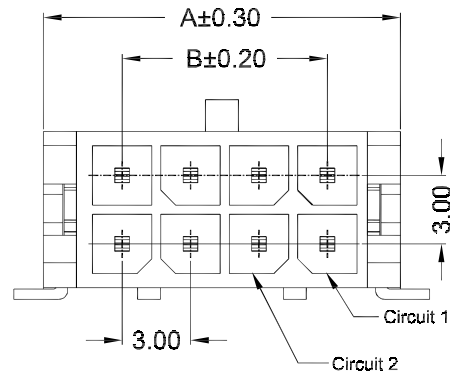
Housing: LCP, UL94V-0, black  
PIN: brass  
Solder tab: brass

**Mates with:** 3001WF-D (wire connector, female, dual row)

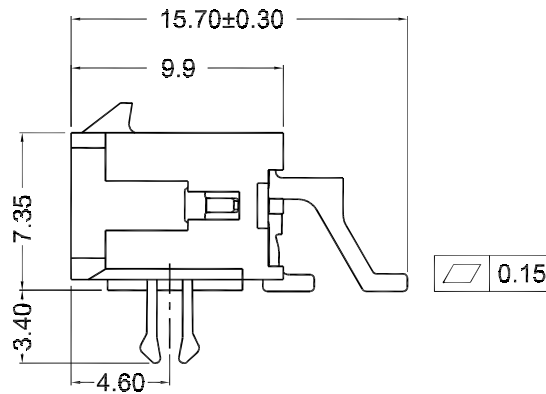
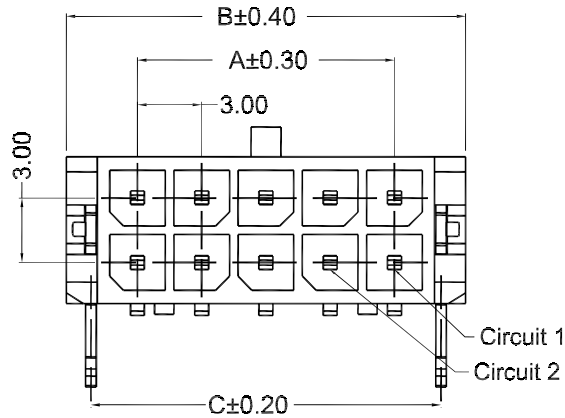
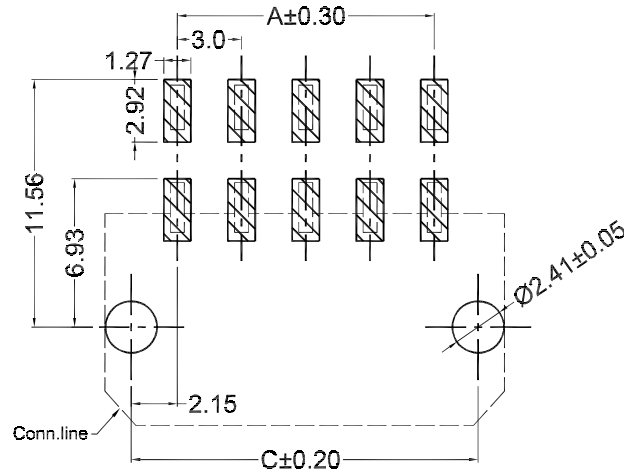
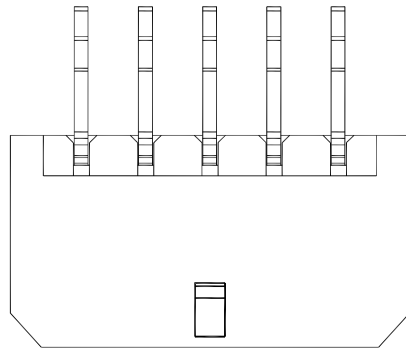
**Part Number Information:**

**3001 BRS-D XX 03 BK M**

Series Number  
BRS-D: board connector, R/A, SMT, solder tab, dual row  
No. of circuits: 02 to 24  
Material: 03 -- LCP, UL94V-0  
Color: BK--black  
Plating: M -- matte tin plating



							General Tolerance	Zeakka Electronics				Document No.: ZK-3001BRS-D		
							.X ±0.3					Title: HEADER, R/A, SMT TYPE, DUAL ROW, 3.0MM PITCH, SOLDER TAB, MATTE TIN		
							.XX ±0.2	APPR	CH'K	DRWN	Date	Dimensions	Scale	Version
Date	Version	EC No.	Description	DRWN	CH'K	APPR	.XXX ±0.1	Kai Lee	Cris Wang	Jun Wei	2020.8.8	mm	1:1	A
							THIRD ANGLE PROJECTION							



**Specifications:**

Current Rating: 5.0A AC/DC  
 Voltage rating: 250V AC/DC  
 Temperature range: -40°C to +105°C  
 Contact resistance: 10mΩ max.  
 Insulation resistance: 1000MΩ min.  
 Withstand voltage: 1000V AC/minute  
 Package: tape & reel

**Material:**

Housing: LCP, UL94V-0, black  
 PIN: brass  
 Retention clip: brass

**Mates with:** 3001WF-D (wire connector, female, dual row)

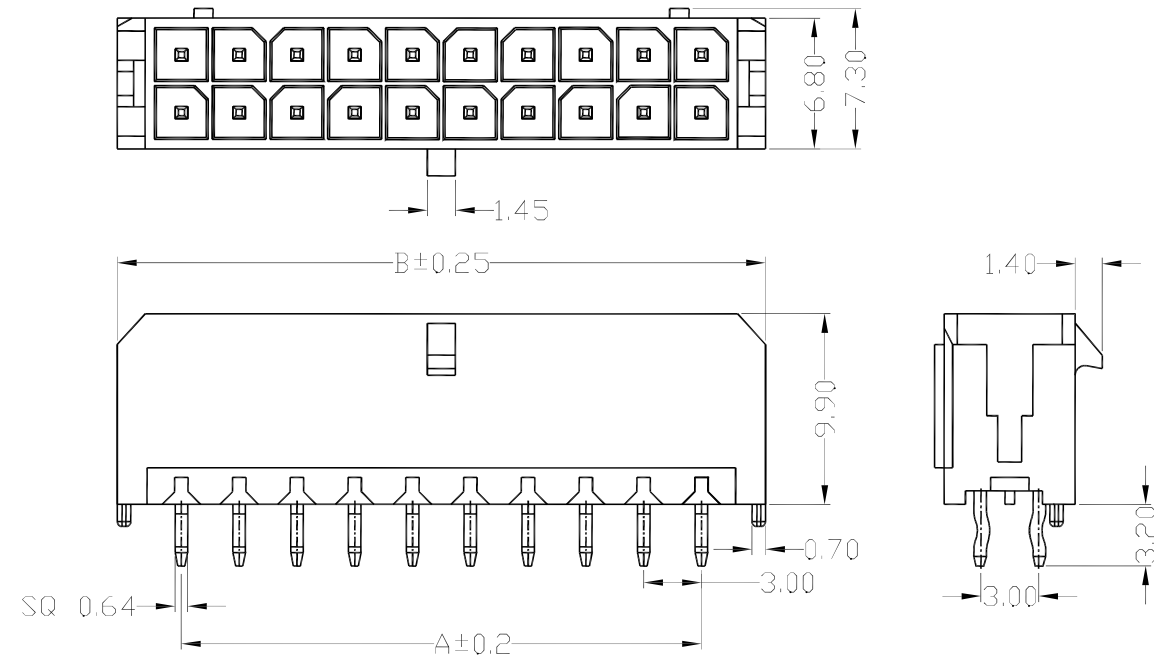
Circuits	Dimensions (mm)		
	A	B	C
2	-	6.65	4.30
4	3.00	9.65	7.30
6	6.00	12.65	10.30
8	9.00	15.65	13.30
10	12.00	18.65	16.30
12	15.00	21.65	19.30
14	18.00	24.65	22.30
16	21.00	27.65	25.30
18	24.00	30.65	28.30
20	27.00	33.65	31.30
22	30.00	36.65	34.30
24	33.00	39.65	37.30

**Part Number Information:**

3001 BRSC-D XX 03 BK M

Series Number  
 BRSC-D: board connector, R/A, SMT, retention clip, dual row  
 No. of circuits: 02 to 24  
 Material: 03 -- LCP, UL94V-0  
 Color: BK--black  
 Plating: M -- matte tin plating

							General Tolerance	Zeakka Electronics				Document No.:	ZK-3001BRSC-D		
							.X ±0.3								
							.XX ±0.2	APPR	CH'K	DRWN	Date	Dimensions	Scale	Version	
Date	Version	EC No.	Description	DRWN	CH'K	APPR	.XXX ±0.1	Kai Lee	Cris Wang	Jun Wei	2020.8.8	mm	1:1	A	
							THIRD ANGLE PROJECTION								



**Specifications:**

Current Rating: 5.0A AC/DC  
 Voltage rating: 250V AC/DC  
 Temperature range: -40°C to +105°C  
 Contact resistance: 10mΩ max.  
 Insulation resistance: 1000MΩ min.  
 Withstand voltage: 1000V AC/minute

**Material:**

Housing: LCP, UL94V-0, black  
 PIN: brass

**Mates with:** 3001WF-D (wire connector, female, dual row)

Circuits	Dimensions (mm)	
	A	B
2	-	6.65
4	3.00	9.65
6	6.00	12.65
8	9.00	15.65
10	12.00	18.65
12	15.00	21.65
14	18.00	24.65
16	21.00	27.65
18	24.00	30.65
20	27.00	33.65
22	30.00	36.65
24	33.00	39.65

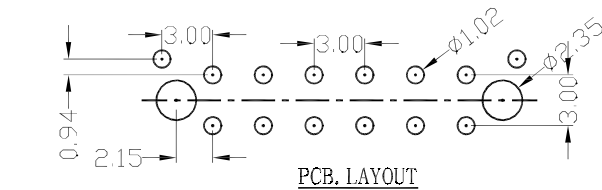
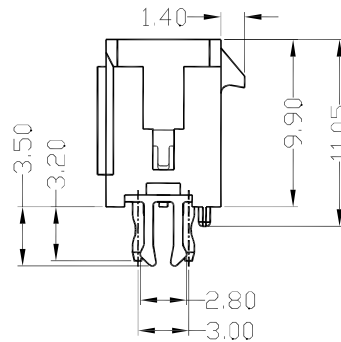
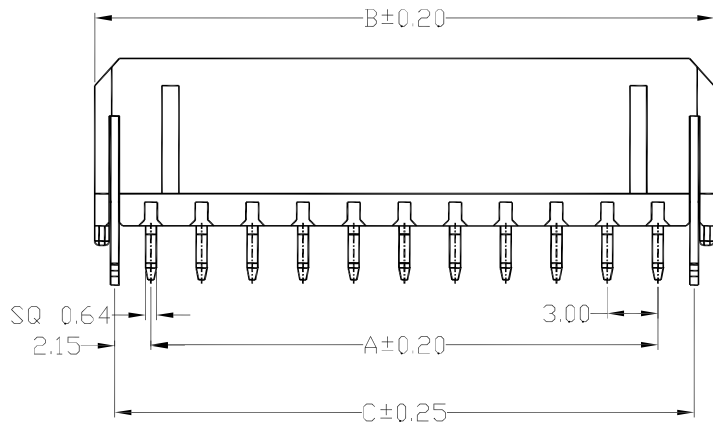
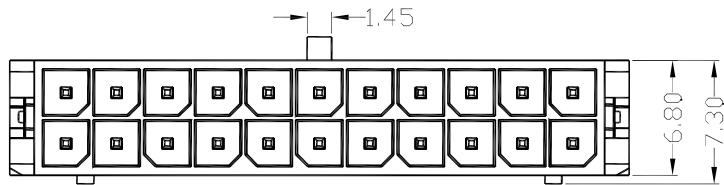
**Part Number Information:**

**3001 BVTP-D XX 03 BK X**

Series Number: 3001  
 BVTP-D: board connector, vertical, THT, polarizing peg, dual row  
 No. of circuits: 02 to 24  
 Material: 03 -- LCP, UL94V-0  
 Color: BK--black  
 Plating: M -- matte tin plating, T -- tin plating, G -- gold flash

P. C. B LAYOUT

							General Tolerance	Zeakka Electronics				Document No.: ZK-3001BVTP-D		
							.X ±0.3					Title: HEADER, VERTICAL, THT TYPE, DUAL ROW, 3.0MM PITCH, POLARIZING PEG		
							.XX ±0.2	APPR	CH'K	DRWN	Date	Dimensions	Scale	Version
Date	Version	EC No.	Description	DRWN	CH'K	APPR	.XXX ±0.1	Kai Lee	Cris Wang	Jun Wei	2020.8.8	mm	1:1	A
							THIRD ANGLE PROJECTION							



PCB LAYOUT

**Specifications:**

Current Rating: 5.0A AC/DC  
 Voltage rating: 250V AC/DC  
 Temperature range: -40°C to +105°C  
 Contact resistance: 10mΩ max.  
 Insulation resistance: 1000MΩ min.  
 Withstand voltage: 1000V AC/minute

**Material:**

Housing: LCP, UL94V-0, black  
 PIN: brass  
 Retention clip: brass

**Mates with:** 3001WF-D (wire connector, female, dual row)

**Part Number Information:**

		<b>3001 BVTC-D XX 03 BK X</b>	
Series Number	XX	03	BK X
BVTC-D: board connector, vertical, THT, retention clip, dual row			
No. of circuits:	02 to 24		
Material:	03 -- LCP, UL94V-0		
Color:	BK--black		
Plating:	M -- matte tin plating, T -- tin plating, G -- gold flash		

Circuits	Dimensions (mm)		
	A	B	C
2	-	6.65	4.30
4	3.00	9.65	7.30
6	6.00	12.65	10.30
8	9.00	15.65	13.30
10	12.00	18.65	16.30
12	15.00	21.65	19.30
14	18.00	24.65	22.30
16	21.00	27.65	25.30
18	24.00	30.65	28.30
20	27.00	33.65	31.30
22	30.00	36.65	34.30
24	33.00	39.65	37.30

							General Tolerance	<h1>Zeakka Electronics</h1>				Document No.: ZK-3001BVTC-D						
							.X ±0.3					Title: HEADER, VERTICAL, THT TYPE, DUAL ROW, 3.0MM PITCH, RETENTION CLIP						
							.XX ±0.2					APPR	CH'K	DRWN	Date	Dimensions	Scale	Version
							.XXX ±0.1					Kai Lee	Cris Wang	Jun Wei	2020.8.8	mm	1:1	A
Date	Version	EC No.	Description	DRWN	CH'K	APPR	THIRD ANGLE PROJECTION											



Circuits	Dimensions (mm)		
	A	B	C
2	-	6.65	4.30
4	3.00	9.65	7.30
6	6.00	12.65	10.30
8	9.00	15.65	13.30
10	12.00	18.65	16.30
12	15.00	21.65	19.30
14	18.00	24.65	22.30
16	21.00	27.65	25.30
18	24.00	30.65	28.30
20	27.00	33.65	31.30
22	30.00	36.65	34.30
24	33.00	39.65	37.30

**Specifications:**

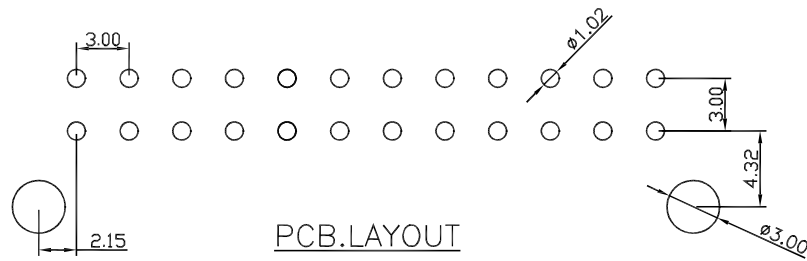
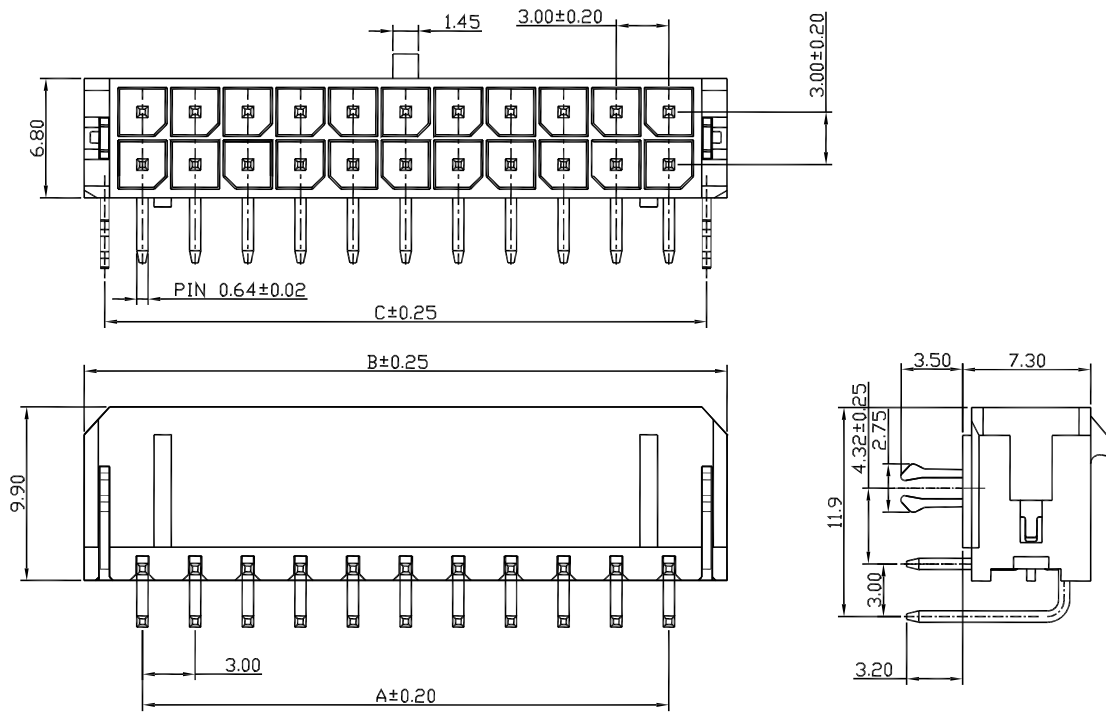
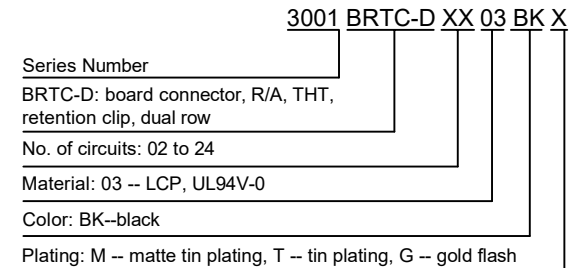
Current Rating: 5.0A AC/DC  
Voltage rating: 250V AC/DC  
Temperature range: -40°C to +105°C  
Contact resistance: 10mΩ max.  
Insulation resistance: 1000MΩ min.  
Withstand voltage: 1000V AC/minute

**Material:**

Housing: LCP, UL94V-0, black  
PIN: brass  
Retention clip: brass

**Mates with:** 3001WF-D (wire connector, female, dual row)

**Part Number Information:**



Date	Version	EC No.	Description	DRWN	CH'K	APPR	General Tolerance	Zeakka Electronics				Document No.:	ZK-3001BRTC-D	
							.X ±0.3	APPR	CH'K	DRWN	Date	Dimensions	Scale	Version
							.XX ±0.2	Kai Lee	Cris Wang	Jun Wei	2020.8.8	mm	1:1	A
							.XXX ±0.1							
							THIRD ANGLE PROJECTION							



Circuits	Dimensions (mm)	
	A	B
2	-	5.50
4	3.00	8.50
6	6.00	10.00
8	9.00	13.00
10	12.00	16.00
12	15.00	19.00
14	18.00	22.00
16	21.00	25.00
18	24.00	28.00
20	27.00	31.00
22	30.00	34.00
24	33.00	37.00

**Specifications:**

Current Rating: 5.0A AC/DC  
Voltage rating: 250V AC/DC  
Temperature range: -40°C to +105°C  
Contact resistance: 10mΩ max.  
Insulation resistance: 1000MΩ min.  
Withstand voltage: 1000V AC/minute

**Material:**

Housing: nylon 66, UL94V-0/2, black

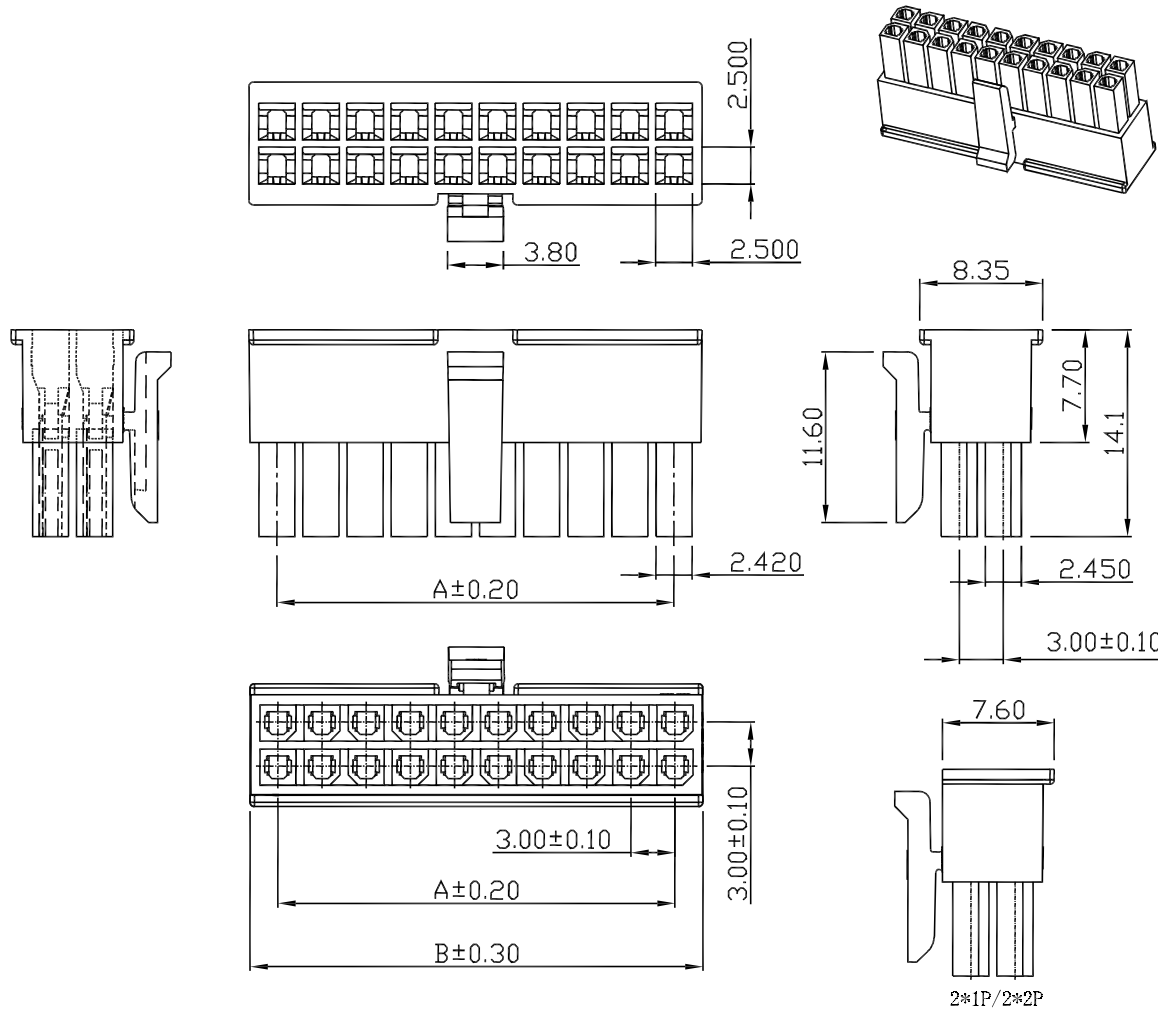
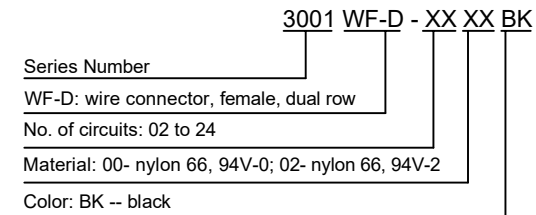
**Mates with:**

- 3001BVTP-D (header, vertical, THT, peg, dual row)
- 3001BVTC-D (header, vertical, THT, clip, dual row)
- 3001BVS-D (header, vertical, SMT, tab, dual row)
- 3001BVSC-D (header, vertical, SMT, clip, dual row)
- 3001BRTP-D (header, R/A, THT, peg, dual row)
- 3001BRTC-D (header, R/A, THT, clip, dual row)
- 3001BRS-D (header, R/A, SMT, tab, dual row)
- 3001BRSC-D (header, R/A, SMT, clip, dual row)
- 3001WM-D (wire connector, male, dual row)
- 3001WME-D (wire connector, male, with ears, dual row)

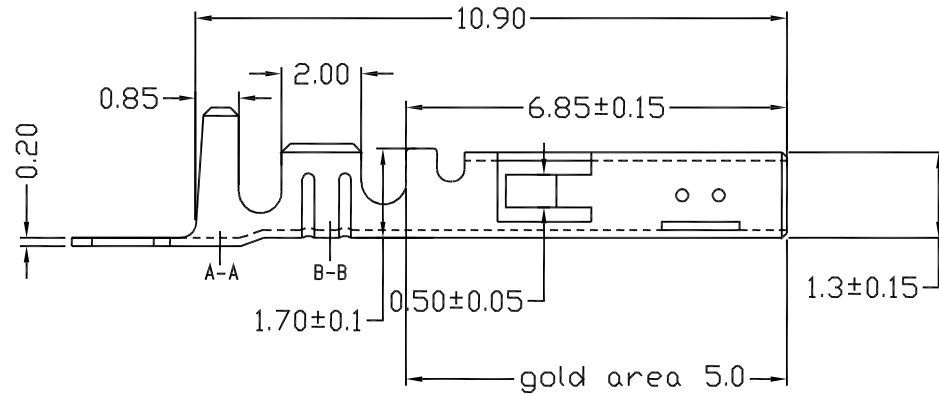
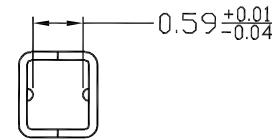
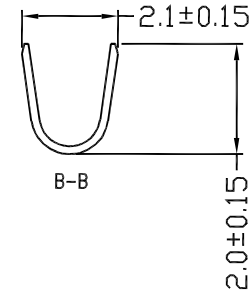
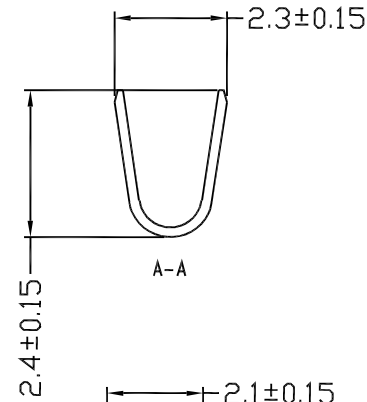
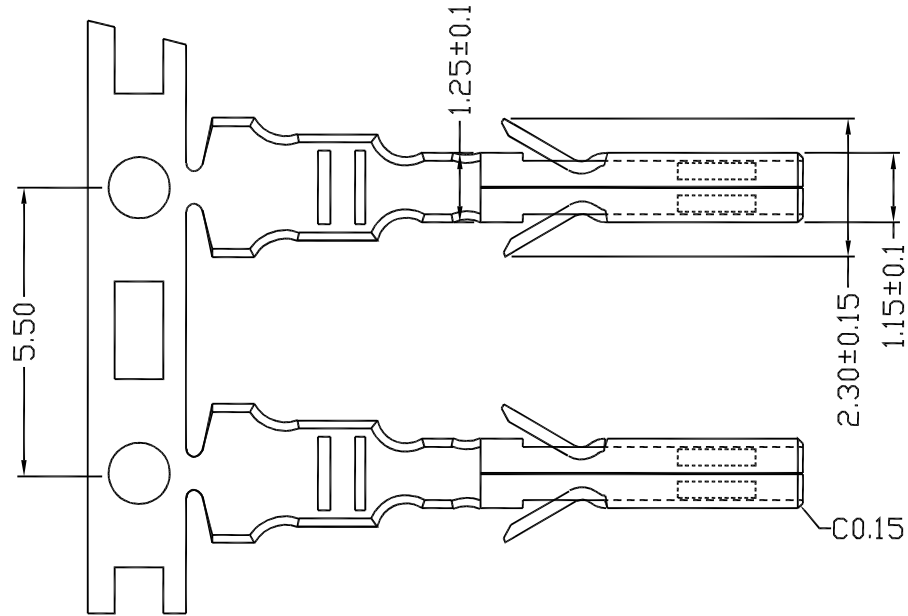
**Used with:**

3001TF-PX (female terminal)

**Part Number Information:**



							General Tolerance	Zeakka Electronics				Document No.: ZK-3001WF-D		
							.X ±0.3					Title: HOUSING, FEMALE, CRIMP TYPE, DUAL ROW, 3.0MM PITCH, BLACK		
							.XX ±0.2	APPR	CH'K	DRWN	Date	Dimensions	Scale	Version
Date	Version	EC No.	Description	DRWN	CH'K	APPR	.XXX ±0.1	Kai Lee	Cris Wang	Jun Wei	2020.8.8	mm	1:1	A
							THIRD ANGLE PROJECTION							



**Specifications:**

Current Rating: 5.0A AC/DC  
 Voltage rating: 250V AC/DC  
 Temperature range: -40°C to +105°C  
 Contact resistance: 10mΩ max.  
 Insulation resistance: 1000MΩ min.  
 Withstand voltage: 1000V AC/minute  
 Applicable wire: AWG24 - AWG20  
 Insulation OD: max 1.85mm  
 Package: reel

**Material:**

Phosphor bronze

**Used with:**

3001WF-S (wire connector, female, single row)  
 3001WF-D (wire connector, female, dual row)

**Part Number Information:**

3001 TF - P X  
 Series Number  
 TF: terminal, female  
 Material: P -- phosphor bronze  
 Plating: T -- tin plating; G -- gold flash

							General Tolerance	<b>Zeakka Electronics</b>				Document No.: ZK-3001TF						
							.X ±0.3					Title: TERMINAL, FEMALE, CRIMP TYPE, PHOSPHOR BRONZE, REEL						
							.XX ±0.2					APPR	CH'K	DRWN	Date	Dimensions	Scale	Version
							.XXX ±0.1					Kai Lee	Cris Wang	Jun Wei	2020.8.8	mm	1:1	A
Date	Version	EC No.	Description	DRWN	CH'K	APPR	THIRD ANGLE PROJECTION											

Circuits	Dimensions (mm)	
	A	B
2	-	3.95
4	3.00	6.95
6	6.00	9.95
8	9.00	12.95
10	12.00	15.95
12	15.00	18.95
14	18.00	21.95
16	21.00	24.95
18	24.00	27.95
20	27.00	30.95
22	30.00	33.95
24	33.00	36.95

### Specifications:

Current Rating: 5.0A AC/DC  
Voltage rating: 250V AC/DC  
Temperature range: -40°C to +105°C  
Contact resistance: 10mΩ max.  
Insulation resistance: 1000MΩ min.  
Withstand voltage: 1000V AC/minute

### Material:

Housing: nylon 66, UL94V-0/2, black

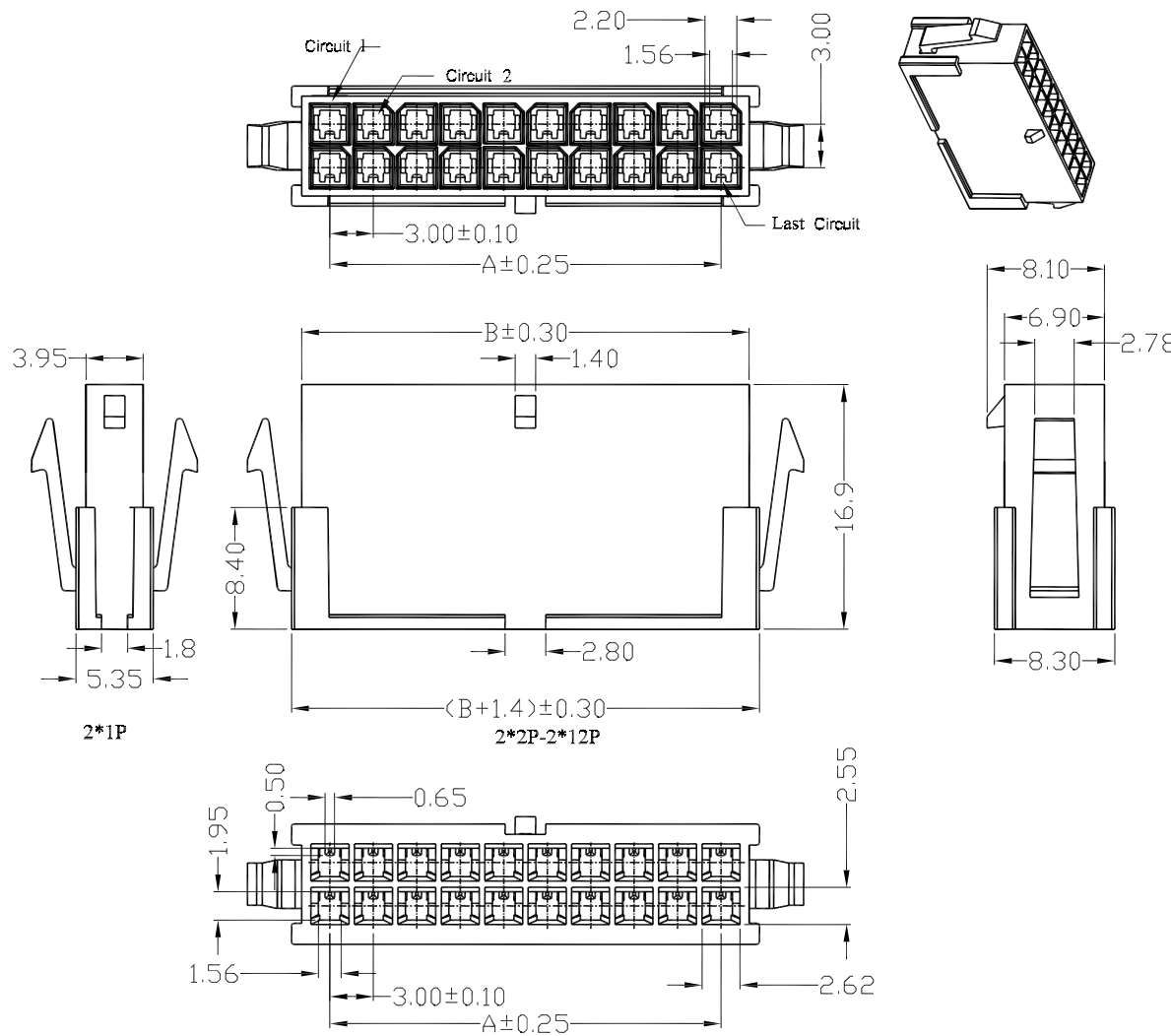
Mates with: 3001WF-D (wire connector, female, dual row)

Used with: 3001TM-PX (male terminal)

### Part Number Information:

**3001 WME-D - XX XX BK**

Series Number: \_\_\_\_\_  
WME-D: wire conn, male, ears, dual row  
No. of circuits: 02 to 24  
Material: 00- nylon 66, 94V-0; 02- nylon, 94V-2  
Color: BK -- black



							General Tolerance	Zeakka Electronics				Document No.: ZK-3001WME-D		
							.X ±0.3					Title: HOUSING, MALE, CRIMP TYPE, DUAL ROW, 3.0MM PITCH, BLACK, WITH EARS		
							.XX ±0.2	APPR	CH'K	DRWN	Date	Dimensions	Scale	Version
Date	Version	EC No.	Description	DRWN	CH'K	APPR	.XXX ±0.1	Kai Lee	Cris Wang	Jun Wei	2020.8.8	mm	1:1	A
							THIRD ANGLE PROJECTION							

Circuits	Dimensions (mm)	
	A	B
2	-	3.95
4	3.00	6.95
6	6.00	9.95
8	9.00	12.95
10	12.00	15.95
12	15.00	18.95
14	18.00	21.95
16	21.00	24.95
18	24.00	27.95
20	27.00	30.95
22	30.00	33.95
24	33.00	36.95

**Specifications:**

Current Rating: 5.0A AC/DC  
Voltage rating: 250V AC/DC  
Temperature range: -40°C to +105°C  
Contact resistance: 10mΩ max.  
Insulation resistance: 1000MΩ min.  
Withstand voltage: 1000V AC/minute

**Material:**

Housing: nylon 66, UL94V-0/2, black

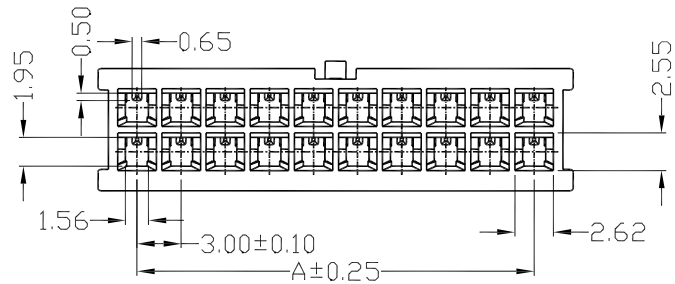
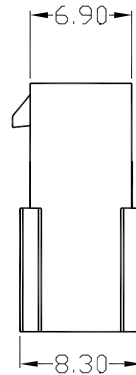
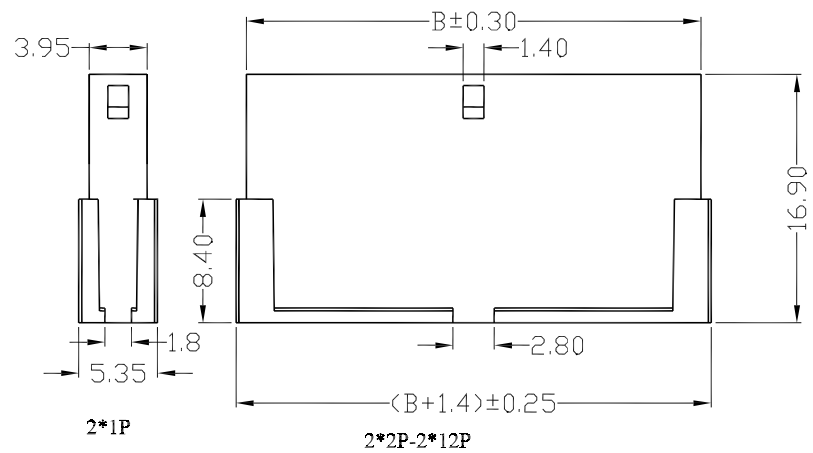
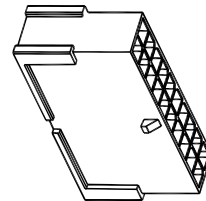
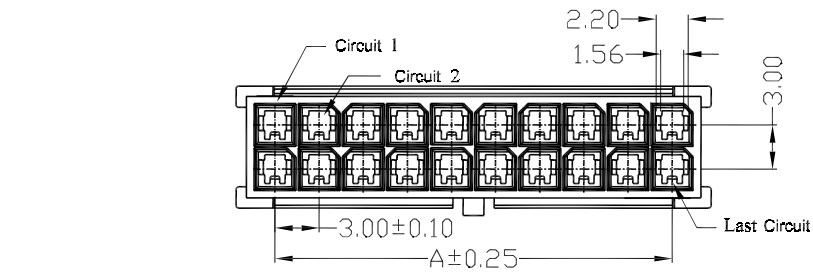
**Mates with:** 3001WF-D (wire connector, female, dual row)

**Used with:** 3001TM-PX (male terminal)

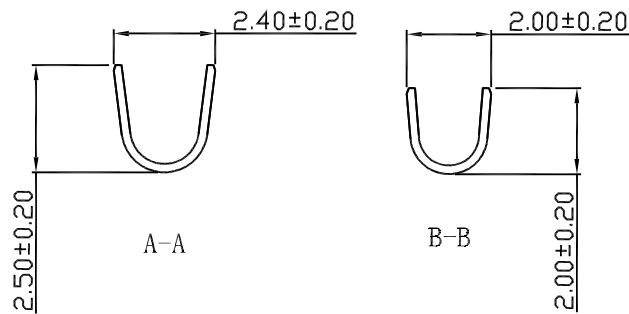
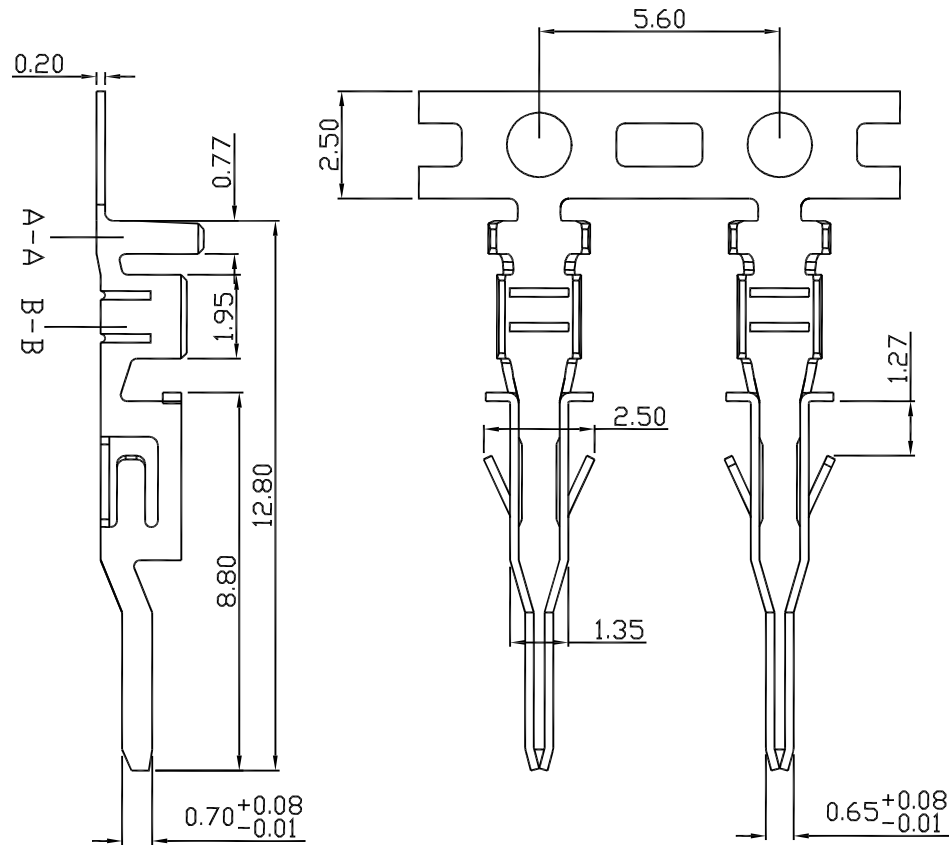
**Part Number Information:**

**3001 WM-D - XX XX BK**

Series Number  
WM-D: wire connector, male, dual row  
No. of circuits: 02 to 24  
Material: 00- nylon 66, 94V-0; 02- nylon 66, 94V-2  
Color: BK -- black



							General Tolerance	Zeakka Electronics				Document No.: ZK-3001WM-D		
							.X ±0.3					Title: HOUSING, MALE, CRIMP TYPE, DUAL ROW 3.0MM PITCH, BLACK		
							.XX ±0.2	APPR	CH'K	DRWN	Date	Dimensions	Scale	Version
Date	Version	EC No.	Description	DRWN	CH'K	APPR	.XXX ±0.1	Kai Lee	Cris Wang	Jun Wei	2020.8.8	mm	1:1	A
							THIRD ANGLE PROJECTION							



**Specifications:**

Current Rating: 5.0A AC/DC  
 Voltage rating: 250V AC/DC  
 Temperature range: -40°C to +105°C  
 Contact resistance: 10mΩ max.  
 Insulation resistance: 1000MΩ min.  
 Withstand voltage: 1000V AC/minute  
 Applicable wire: AWG24 - AWG20  
 Insulation OD: max 1.85mm  
 Package: reel

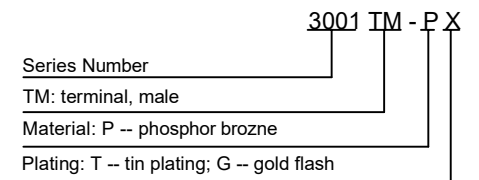
**Material:**

Phosphor bronze

**Used with:**

- 3001WM-S (wire connector, male, single row)
- 3001WME-S (wire connector, male, ears, single row)
- 3001WM-D (wire connector, male, dual row)
- 3001WME-D (wire connector, male, ears, dual row)

**Part Number Information:**



							General Tolerance	<b>Zeakka Electronics</b>				Document No.: ZK-3001TM						
							.X ±0.3					Title: TERMINAL, MALE, CRIMP TYPE, PHOSPHOR BRONZE, REEL						
							.XX ±0.2					APPR	CH'K	DRWN	Date	Dimensions	Scale	Version
							.XXX ±0.1					Kai Lee	Cris Wang	Jun Wei	2020.8.8	mm	1:1	A
Date	Version	EC No.	Description	DRWN	CH'K	APPR	THIRD ANGLE PROJECTION											