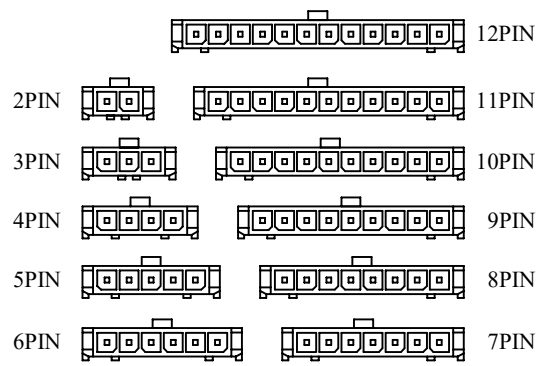


P.C.B. LAYOUT



Specifications:

Current Rating: 5.0A AC/DC
 Voltage rating: 250V AC/DC
 Temperature range: -40°C to +105°C
 Contact resistance: 10mΩ max.
 Insulation resistance: 1000MΩ min.
 Withstand voltage: 1000V AC/minute
 Package: tape & reel

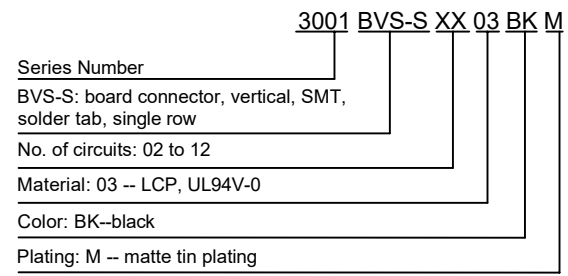
Material:

Housing: LCP, UL94V-0, black
 PIN: brass
 Solder tab: brass

Mates with: 3001WF-S (wire connector, female, single row)

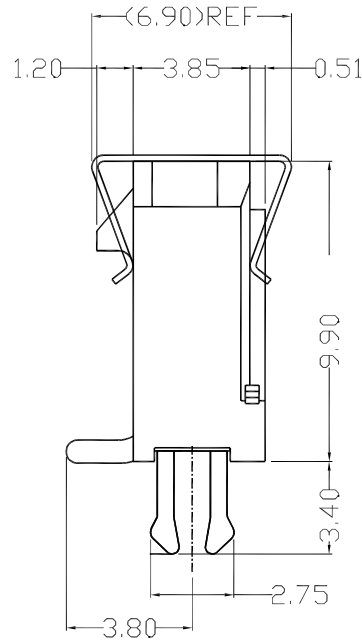
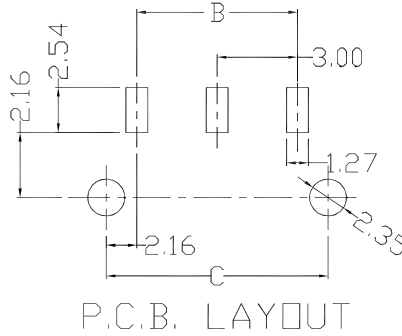
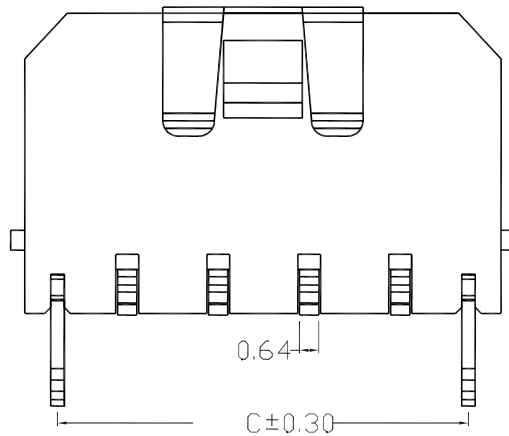
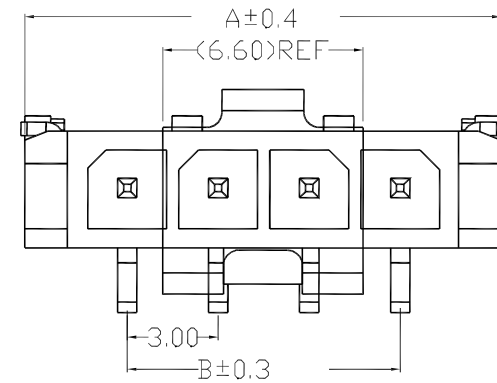
Circuits	Dimensions (mm)		
	A	B	C
2	9.70	3.00	14.20
3	12.70	6.00	17.20
4	15.70	9.00	20.20
5	18.70	12.00	23.20
6	21.70	15.00	26.20
7	24.70	18.00	29.20
8	27.70	21.00	32.20
9	30.70	24.00	35.20
10	33.70	27.00	38.20
11	36.70	30.00	41.20
12	39.70	33.00	44.20

Part Number Information:



Series Number: 3001 BVS-S XX 03 BK M
 BVS-S: board connector, vertical, SMT, solder tab, single row
 No. of circuits: 02 to 12
 Material: 03 -- LCP, UL94V-0
 Color: BK--black
 Plating: M -- matte tin plating

							General Tolerance	Zeakka Electronics				Document No.:	ZK-3001BVS-S		
							.X ±0.3								
							.XX ±0.2	APPR	CH'K	DRWN	Date	Dimensions	Scale	Version	
Date	Version	EC No.	Description	DRWN	CH'K	APPR	.XXX ±0.1	Kai Lee	Cris Wang	Jun Wei	2020.8.8	mm	1:1	A	
							THIRD ANGLE PROJECTION								



Specifications:

Current Rating: 5.0A AC/DC
 Voltage rating: 250V AC/DC
 Temperature range: -40°C to +105°C
 Contact resistance: 10mΩ max.
 Insulation resistance: 1000MΩ min.
 Withstand voltage: 1000V AC/minute
 Package: tape & reel

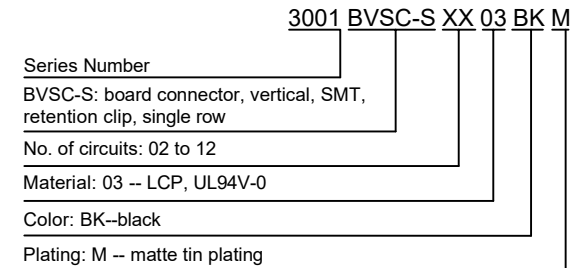
Circuits	Dimensions (mm)		
	A	B	C
2	9.65	3.00	7.30
3	12.65	6.00	10.30
4	15.65	9.00	13.30
5	18.65	12.00	16.30
6	21.65	15.00	19.30
7	24.65	18.00	22.30
8	27.65	21.00	25.30
9	30.65	24.00	28.30
10	33.65	27.00	31.30
11	36.65	30.00	34.30
12	39.65	33.00	37.30

Material:

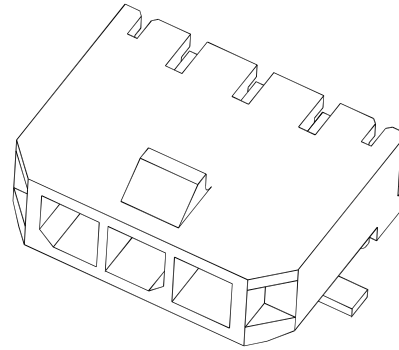
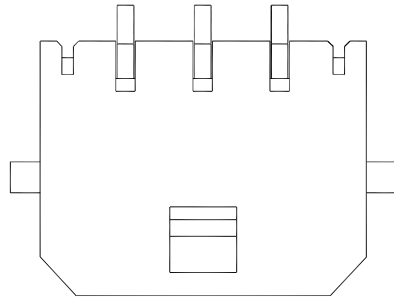
Housing: LCP, UL94V-0, black
 PIN: brass
 Retention clip: brass

Mates with: 3001WF-S (wire connector, female, single row)

Part Number Information:



							General Tolerance	Zeakka Electronics				Document No.: ZK-3001BVSC-S		
							.X ±0.3					Title: HEADER, VERTICAL, SMT TYPE, SINGLE ROW 3.0MM PITCH, RETENTION CLIP, MATTE TIN		
							.XX ±0.2	APPR	CH'K	DRWN	Date	Dimensions	Scale	Version
Date	Version	EC No.	Description	DRWN	CH'K	APPR	.XXX ±0.1	Kai Lee	Cris Wang	Jun Wei	2020.8.8	mm	1:1	A
							THIRD ANGLE PROJECTION							



Circuits	Dimensions (mm)		
	A	B	C
2	9.65	3.00	14.20
3	12.65	6.00	17.20
4	15.65	9.00	20.20
5	18.65	12.00	23.20
6	21.65	15.00	26.20
7	24.65	18.00	29.20
8	27.65	21.00	32.20
9	30.65	24.00	35.20
10	33.65	27.00	38.20
11	36.65	30.00	41.20
12	39.65	33.00	44.20

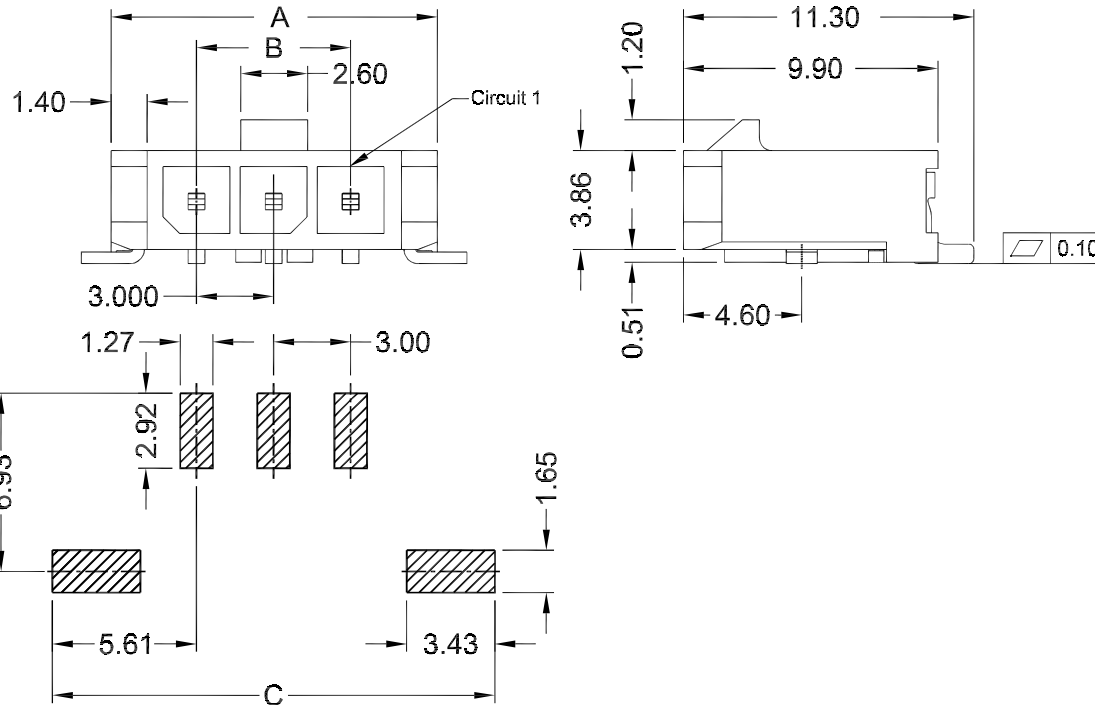
Specifications:

Current Rating: 5.0A AC/DC
 Voltage rating: 250V AC/DC
 Temperature range: -40°C to +105°C
 Contact resistance: 10mΩ max.
 Insulation resistance: 1000MΩ min.
 Withstand voltage: 1000V AC/minute
 Package: tape & reel

Material:

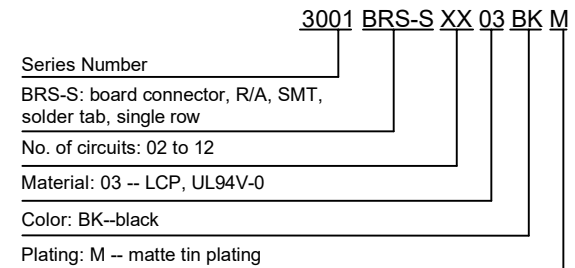
Housing: LCP, UL94V-0, black
 PIN: brass
 Solder tab: brass

Mates with: 3001WF-S (wire connector, female, single row)

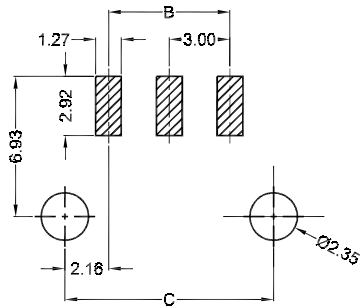
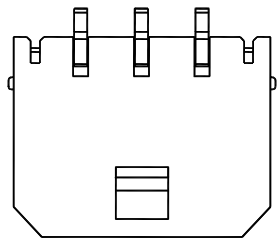


P.C.B. LAYOUT

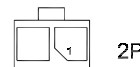
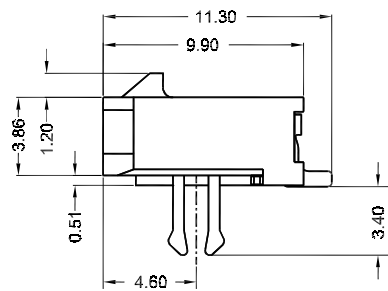
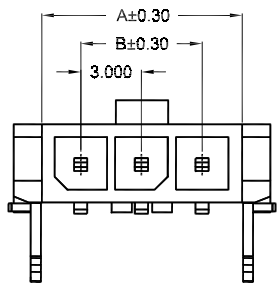
Part Number Information:



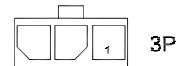
							General Tolerance	Zeakka Electronics				Document No.: ZK-3001BRS-S		
							.X ±0.3					Title: HEADER, R/A, SMT TYPE, SINGLE ROW, 3.0MM PITCH, SOLDER TAB, MATTE TIN		
							.XX ±0.2	APPR	CH'K	DRWN	Date	Dimensions	Scale	Version
Date	Version	EC No.	Description	DRWN	CH'K	APPR	.XXX ±0.1	Kai Lee	Cris Wang	Jun Wei	2020.8.8	mm	1:1	A
							THIRD ANGLE PROJECTION							



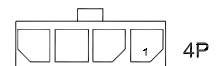
P.C.B. LAYOUT



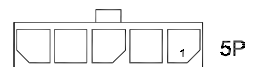
2P



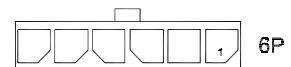
3P



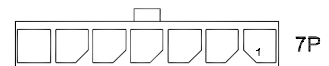
4P



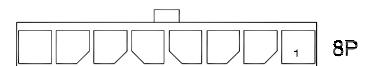
5P



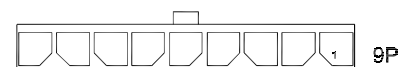
6P



7P



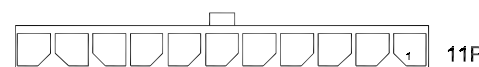
8P



9P



10P



11P



12P

Specifications:

Current Rating: 5.0A AC/DC
 Voltage rating: 250V AC/DC
 Temperature range: -40°C to +105°C
 Contact resistance: 10mΩ max.
 Insulation resistance: 1000MΩ min.
 Withstand voltage: 1000V AC/minute
 Package: tape & reel

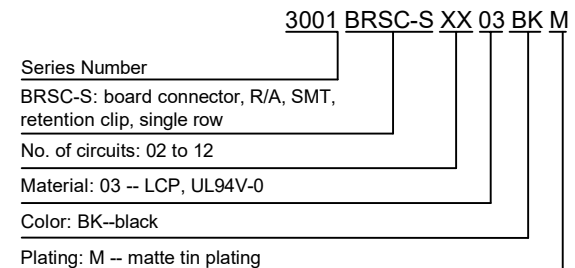
Material:

Housing: LCP, UL94V-0, black
 PIN: brass
 Retention clip: brass

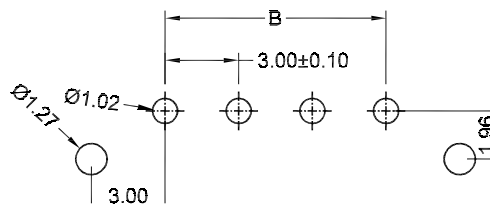
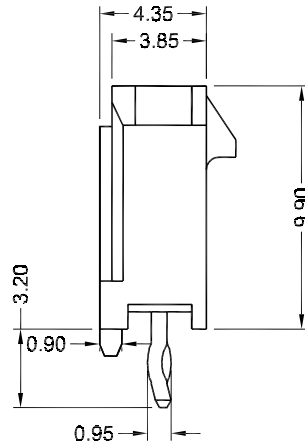
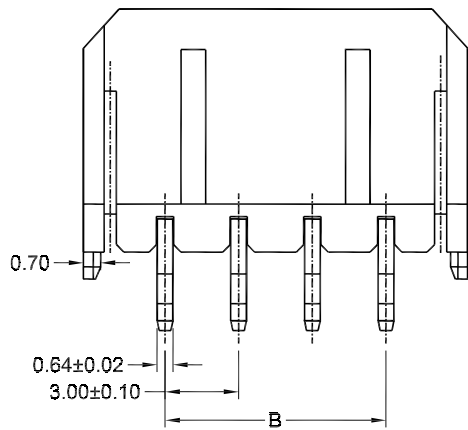
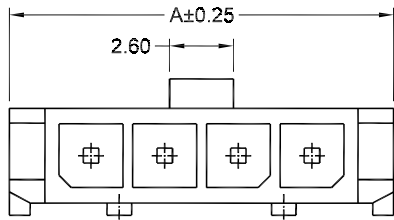
Circuits	Dimensions (mm)		
	A	B	C
2	6.85	3.00	4.30
3	9.85	6.00	7.30
4	12.85	9.00	10.30
5	15.85	12.00	13.30
6	18.85	15.00	16.30
7	21.85	18.00	19.30
8	24.85	21.00	22.30
9	27.85	24.00	25.30
10	30.85	27.00	28.30
11	33.85	30.00	31.30
12	36.85	33.00	34.30

Mates with: 3001WF-S (wire connector, female, single row)

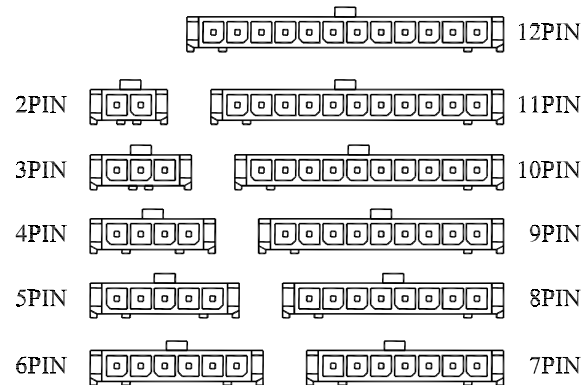
Part Number Information:



							General Tolerance	Zeakka Electronics				Document No.:	ZK-3001BRSC-S		
							.X ±0.3								
							.XX ±0.2	APPR	CH'K	DRWN	Date	Dimensions	Scale	Version	
Date	Version	EC No.	Description	DRWN	CH'K	APPR	.XXX ±0.1	Kai Lee	Cris Wang	Jun Wei	2020.8.8	mm	1:1	A	
							THIRD ANGLE PROJECTION								



P.C.B LAYOUT



Specifications:

Current Rating: 5.0A AC/DC
 Voltage rating: 250V AC/DC
 Temperature range: -40°C to +105°C
 Contact resistance: 10mΩ max.
 Insulation resistance: 1000MΩ min.
 Withstand voltage: 1000V AC/minute

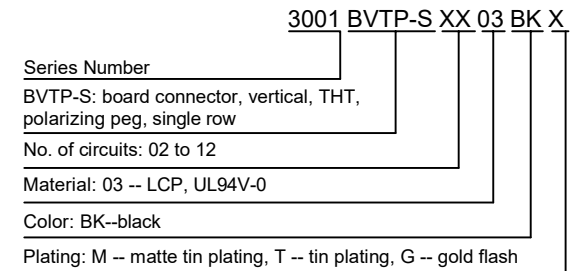
Material:

Housing: LCP, UL94V-0, black
 PIN: brass

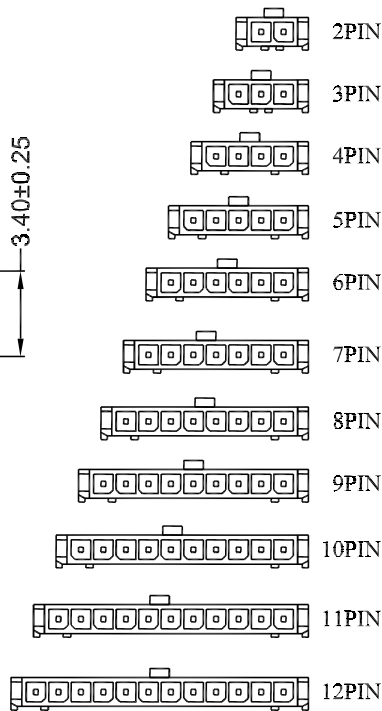
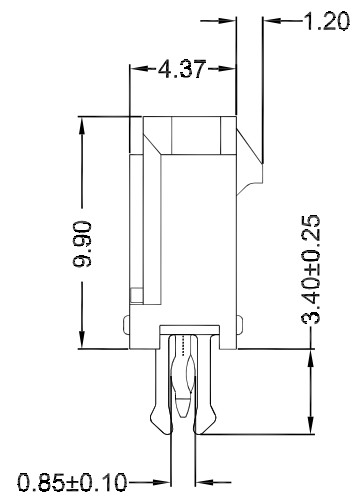
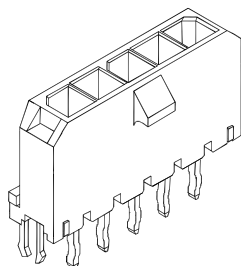
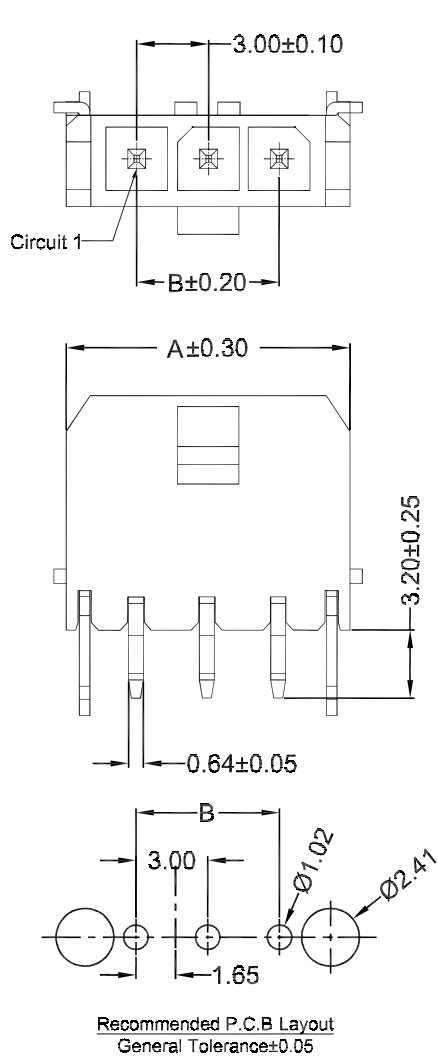
Mates with: 3001WF-S (wire connector, female, single row)

Circuits	Dimensions (mm)	
	A	B
2	9.65	3.00
3	12.65	6.00
4	15.65	9.00
5	18.65	12.00
6	21.65	15.00
7	24.65	18.00
8	27.65	21.00
9	30.65	24.00
10	33.65	27.00
11	36.65	30.00
12	39.65	33.00

Part Number Information:



							General Tolerance	Zeakka Electronics				Document No.:	ZK-3001BVTP-S		
							.X ±0.3								
							.XX ±0.2	APPR	CH'K	DRWN	Date	Dimensions	Scale	Version	
Date	Version	EC No.	Description	DRWN	CH'K	APPR	.XXX ±0.1	Kai Lee	Cris Wang	Jun Wei	2020.8.8	mm	1:1	A	
							THIRD ANGLE PROJECTION								



Specifications:

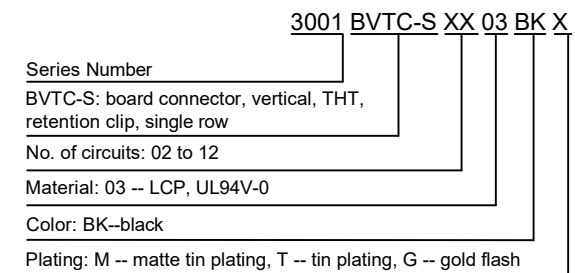
Current Rating: 5.0A AC/DC
 Voltage rating: 250V AC/DC
 Temperature range: -40°C to +105°C
 Contact resistance: 10mΩ max.
 Insulation resistance: 1000MΩ min.
 Withstand voltage: 1000V AC/minute

Material:

Housing: LCP, UL94V-0, black
 PIN: brass
 Retention clip: brass

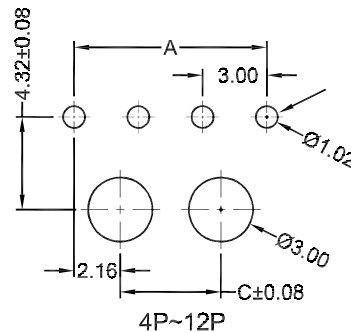
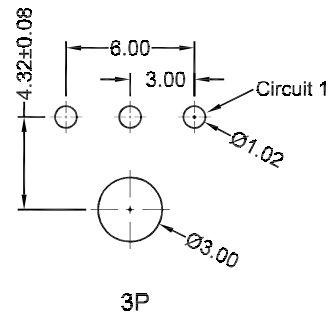
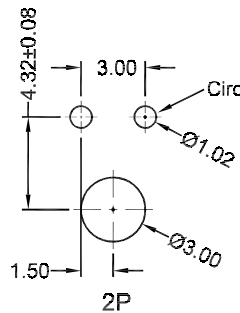
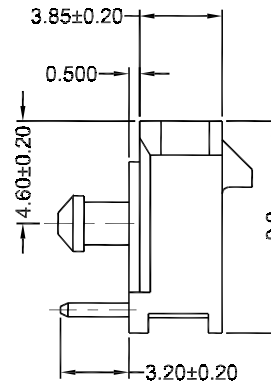
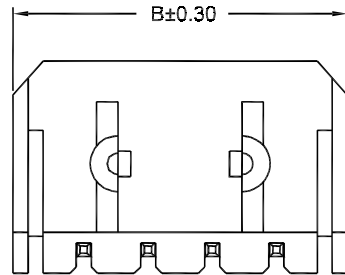
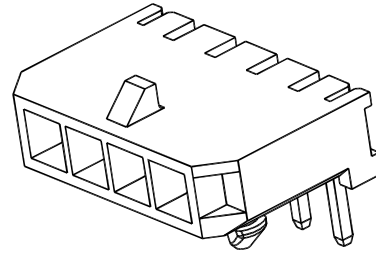
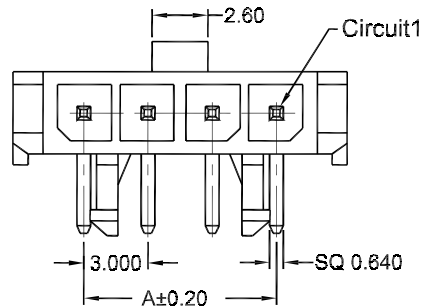
Mates with: 3001WF-S (wire connector, female, single row)

Part Number Information:



Circuits	Dimensions (mm)	
	A	B
2	9.65	3.00
3	12.65	6.00
4	15.65	9.00
5	18.65	12.00
6	21.65	15.00
7	24.65	18.00
8	27.65	21.00
9	30.65	24.00
10	33.65	27.00
11	36.65	30.00
12	39.65	33.00

							General Tolerance	Zeakka Electronics				Document No.: ZK-3001BVTC-S		
							.X ±0.3					Title: HEADER, VERTICAL, THT TYPE, SINGLE ROW, 3.0MM PITCH, RETENTION CLIP		
							.XX ±0.2	APPR	CH'K	DRWN	Date	Dimensions	Scale	Version
Date	Version	EC No.	Description	DRWN	CH'K	APPR	.XXX ±0.1	Kai Lee	Cris Wang	Jun Wei	2020.8.8	mm	1:1	A
							THIRD ANGLE PROJECTION							



Recommended P.C.B Layout
General Tolerance±0.05

Specifications:

Current Rating: 5.0A AC/DC
Voltage rating: 250V AC/DC
Temperature range: -40°C to +105°C
Contact resistance: 10mΩ max.
Insulation resistance: 1000MΩ min.
Withstand voltage: 1000V AC/minute

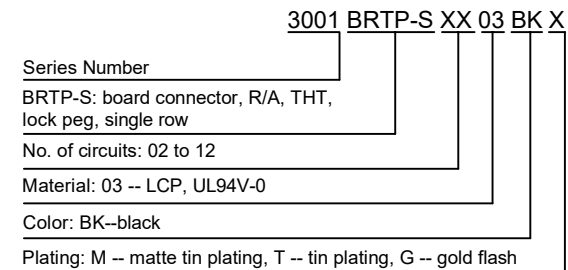
Material:

Housing: LCP, UL94V-0, black
PIN: brass

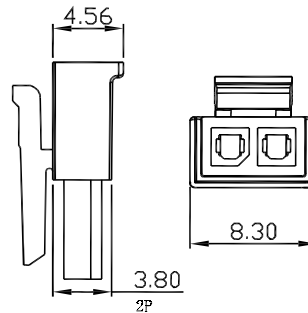
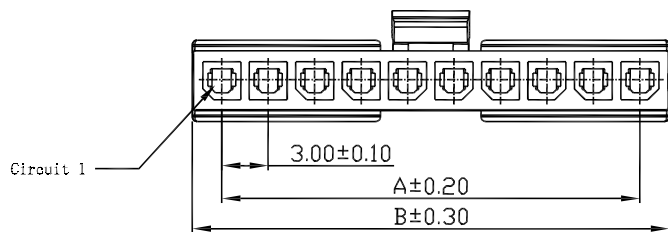
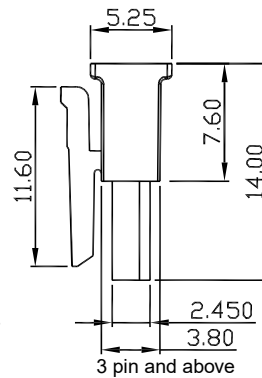
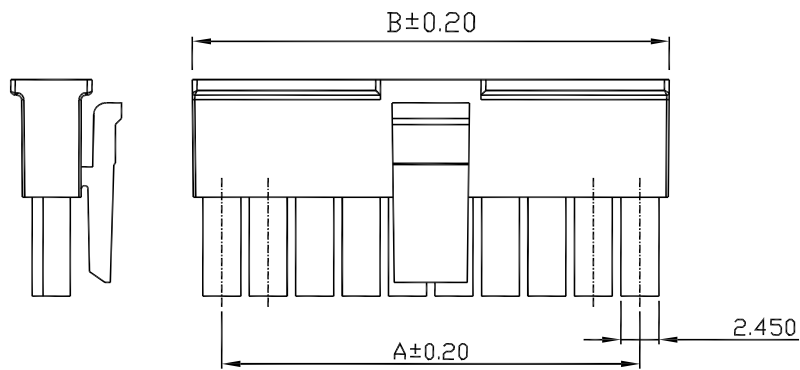
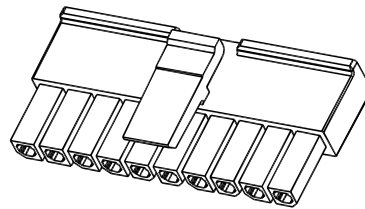
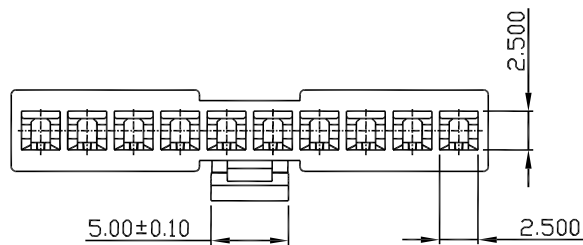
Mates with: 3001WF-S (wire connector, female, single row)

Circuits	Dimensions (mm)		
	A	B	C
2	3.00	9.65	-
3	6.00	12.65	-
4	9.00	15.65	4.70
5	12.00	18.65	7.70
6	15.00	21.65	10.70
7	18.00	24.65	13.70
8	21.00	27.65	16.70
9	24.00	30.65	19.70
10	27.00	33.65	22.70
11	30.00	36.65	25.70
12	33.00	39.65	28.70

Part Number Information:



							General Tolerance	Zeakka Electronics				Document No.:	ZK-3001BRTP-S		
							.X ±0.3								
							.XX ±0.2	APPR	CH'K	DRWN	Date	Dimensions	Scale	Version	
Date	Version	EC No.	Description	DRWN	CH'K	APPR	THIRD ANGLE PROJECTION	Kai Lee	Cris Wang	Jun Wei	2020.8.8	mm	1:1	A	



Specifications:

Current Rating: 5.0A AC/DC
 Voltage rating: 250V AC/DC
 Temperature range: -40°C to +105°C
 Contact resistance: 10mΩ max.
 Insulation resistance: 1000MΩ min.
 Withstand voltage: 1000V AC/minute

Material:

Housing: nylon 66, UL94V-0/2, black

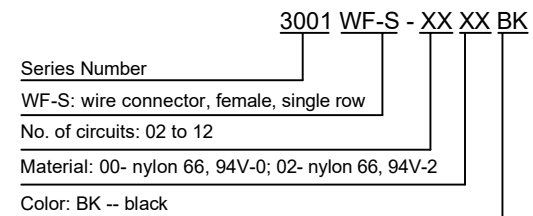
Mates with:

- 3001BVTP-S (header, vertical, THT, peg, single row)
- 3001BVTC-S (header, vertical, THT, clip, single row)
- 3001BVS-S (header, vertical, SMT, tab, single row)
- 3001BVSC-S (header, vertical, SMT, clip, single row)
- 3001BRTP-S (header, R/A, THT, peg, single row)
- 3001BRTC-S (header, R/A, THT, clip, single row)
- 3001BRS-S (header, R/A, SMT, tab, single row)
- 3001BRSC-S (header, R/A, SMT, clip, single row)
- 3001WM-S (wire connector, male, single row)
- 3001WME-S (wire connector, male, with ears, single row)

Used with:

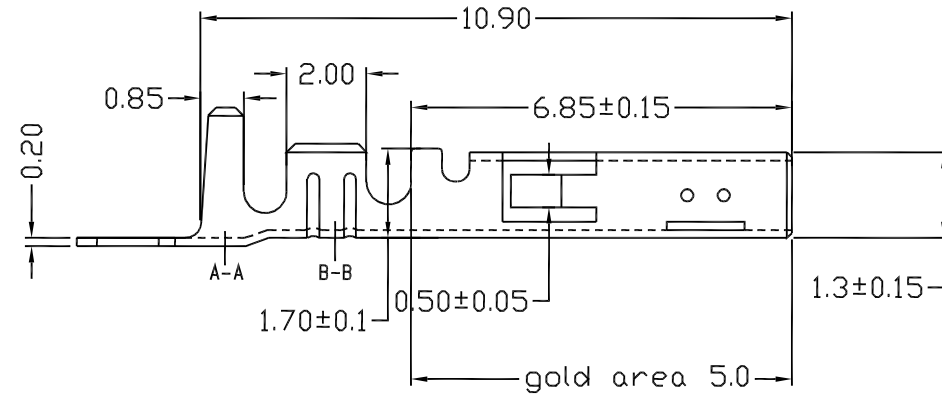
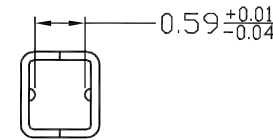
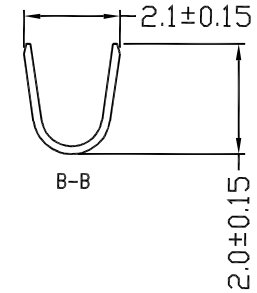
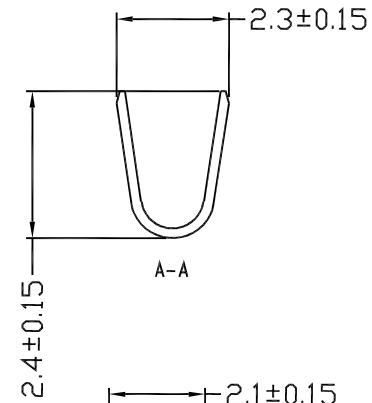
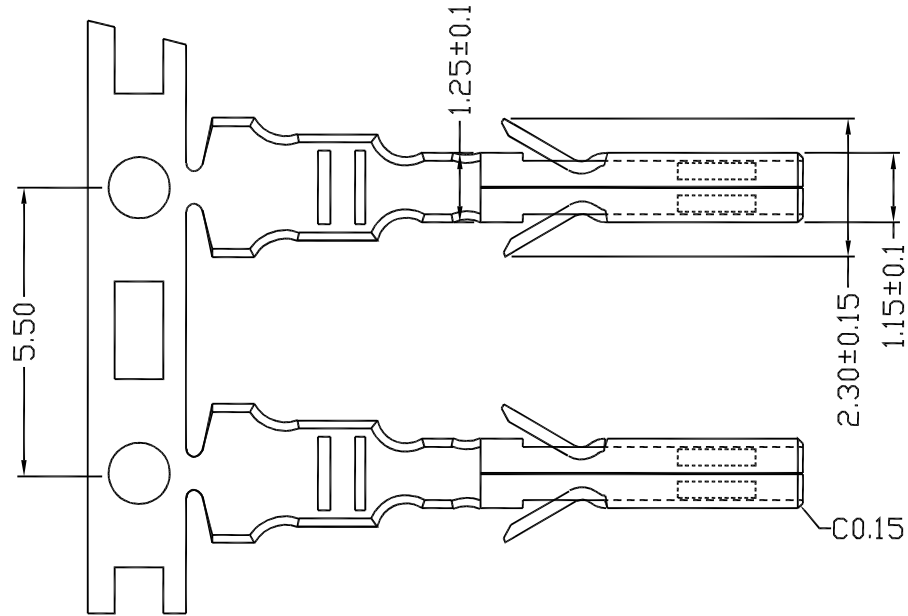
- 3001TF-PX (female terminal)

Part Number Information:



Circuits	Dimensions (mm)	
	A	B
2	3.00	8.30
3	6.00	9.80
4	9.00	12.80
5	12.00	15.80
6	15.00	18.80
7	18.00	21.80
8	21.00	24.80
9	24.00	27.80
10	27.00	30.80
11	30.00	33.80
12	33.00	36.80

							General Tolerance	Zeakka Electronics				Document No.: ZK-3001WF-S		
							.X ±0.3					Title: HOUSING, FEMALE, CRIMP TYPE, SINGLE ROW, 3.0MM PITCH, BLACK		
							.XX ±0.2	APPR	CH'K	DRWN	Date	Dimensions	Scale	Version
Date	Version	EC No.	Description	DRWN	CH'K	APPR	.XXX ±0.1	Kai Lee	Cris Wang	Jun Wei	2020.8.8	mm	1:1	A
							THIRD ANGLE PROJECTION							



Specifications:

Current Rating: 5.0A AC/DC
 Voltage rating: 250V AC/DC
 Temperature range: -40°C to +105°C
 Contact resistance: 10mΩ max.
 Insulation resistance: 1000MΩ min.
 Withstand voltage: 1000V AC/minute
 Applicable wire: AWG24 - AWG20
 Insulation OD: max 1.85mm
 Package: reel

Material:

Phosphor bronze

Used with:

3001WF-S (wire connector, female, single row)
 3001WF-D (wire connector, female, dual row)

Part Number Information:

3001 TF - P X
 Series Number
 TF: terminal, female
 Material: P -- phosphor bronze
 Plating: T -- tin plating; G -- gold flash

							General Tolerance	Zeakka Electronics				Document No.: ZK-3001TF						
							.X ± 0.3					Title: TERMINAL, FEMALE, CRIMP TYPE, PHOSPHOR BRONZE, REEL						
							.XX ± 0.2					APPR	CH'K	DRWN	Date	Dimensions	Scale	Version
							.XXX ± 0.1					Kai Lee	Cris Wang	Jun Wei	2020.8.8	mm	1:1	A
Date	Version	EC No.	Description	DRWN	CH'K	APPR	THIRD ANGLE PROJECTION											

Circuits	Dimensions (mm)	
	A	B
2	3.00	6.95
3	6.00	9.95
4	9.00	12.95
5	12.00	15.95
6	15.00	18.95
7	18.00	21.95
8	21.00	24.95
9	24.00	27.95
10	27.00	30.95
11	30.00	33.95
12	33.00	36.95

Specifications:

Current Rating: 5.0A AC/DC
Voltage rating: 250V AC/DC
Temperature range: -40°C to +105°C
Contact resistance: 10mΩ max.
Insulation resistance: 1000MΩ min.
Withstand voltage: 1000V AC/minute

Material:

Housing: nylon 66, UL94V-0/2, black

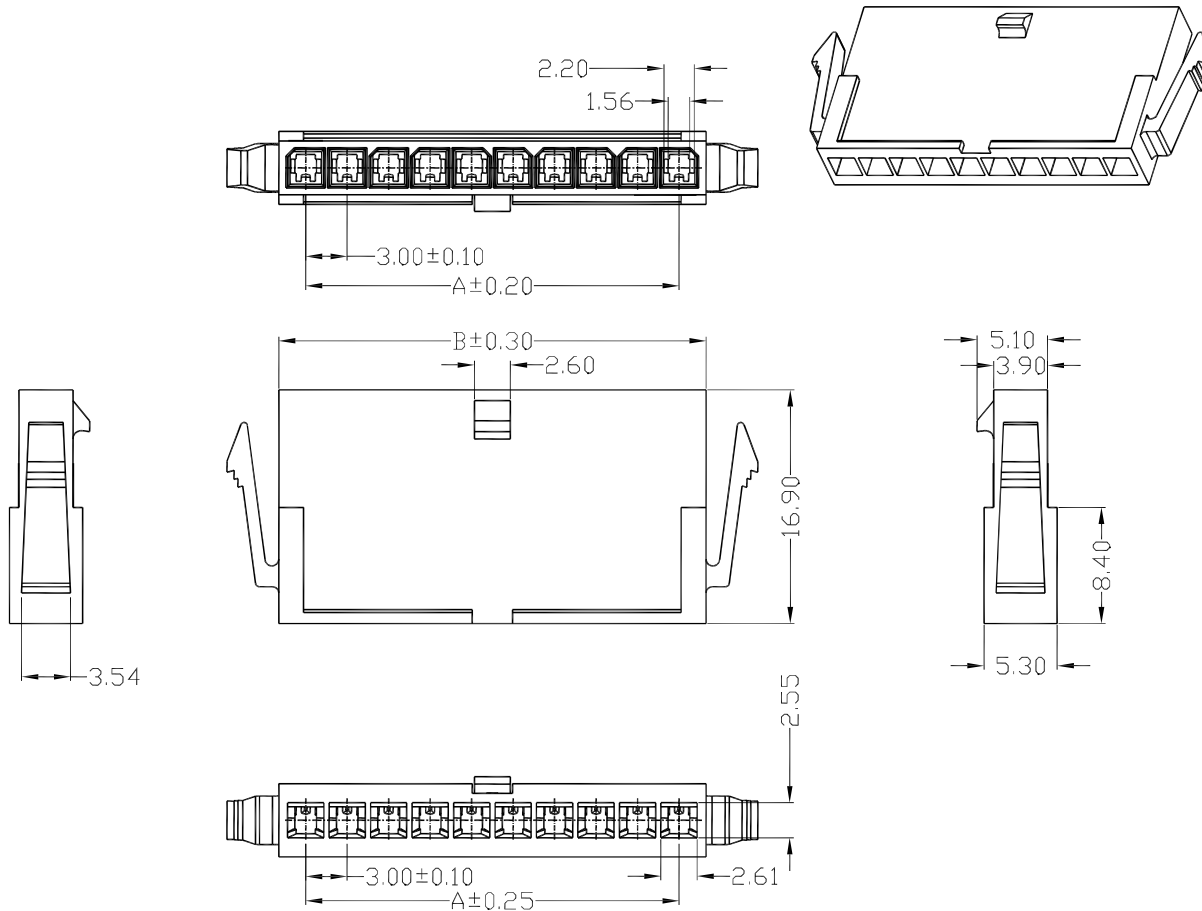
Mates with: 3001WF-S (wire connector, female, single row)

Used with: 3001TM-PX (male terminal)

Part Number Information:

3001 WME-S - XX XX BK

Series Number: _____
WME-S: wire conn, male, ears, single row
No. of circuits: 02 to 12
Material: 00- nylon 66, 94V-0; 02- nylon, 94V-2
Color: BK -- black



							General Tolerance	Zeakka Electronics				Document No.: ZK-3001WME-S		
							.X ±0.3					Title: HOUSING, MALE, CRIMP TYPE, SINGLE ROW, 3.0MM PITCH, BLACK, WITH EARS		
							.XX ±0.2	APPR	CH'K	DRWN	Date	Dimensions	Scale	Version
Date	Version	EC No.	Description	DRWN	CH'K	APPR	.XXX ±0.1	Kai Lee	Cris Wang	Jun Wei	2020.8.8	mm	1:1	A
							THIRD ANGLE PROJECTION							

Circuits	Dimensions (mm)	
	A	B
2	3.00	6.95
3	6.00	9.95
4	9.00	12.95
5	12.00	15.95
6	15.00	18.95
7	18.00	21.95
8	21.00	24.95
9	24.00	27.95
10	27.00	30.95
11	30.00	33.95
12	33.00	36.95

Specifications:

Current Rating: 5.0A AC/DC
Voltage rating: 250V AC/DC
Temperature range: -40°C to +105°C
Contact resistance: 10mΩ max.
Insulation resistance: 1000MΩ min.
Withstand voltage: 1000V AC/minute

Material:

Housing: nylon 66, UL94V-0/2, black

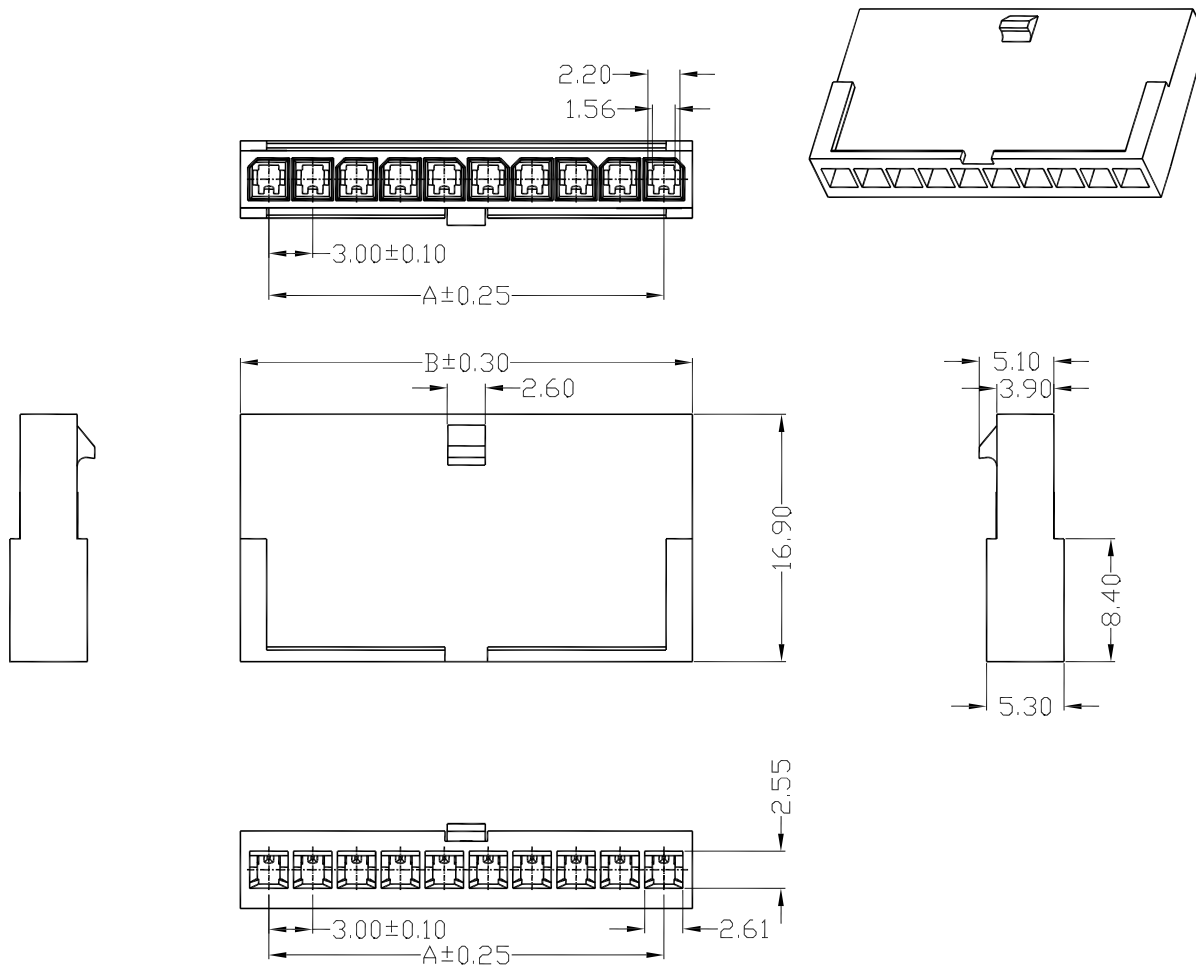
Mates with: 3001WF-S (wire connector, female, single row)

Used with: 3001TM-PX (male terminal)

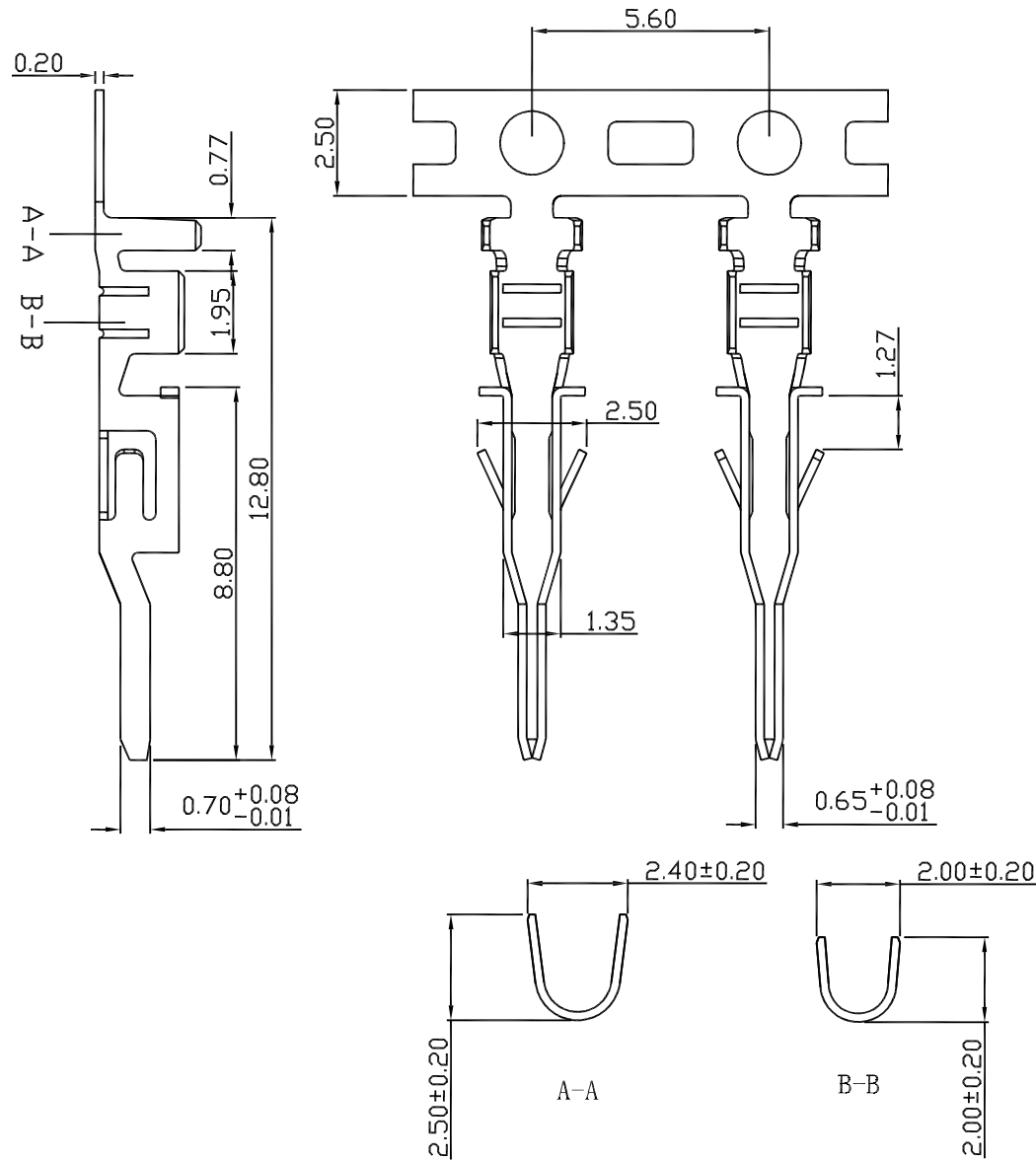
Part Number Information:

3001 WM-S - XX XX BK

Series Number
WM-S: wire connector, male, single row
No. of circuits: 02 to 12
Material: 00- nylon 66, 94V-0; 02- nylon 66, 94V-2
Color: BK -- black



							General Tolerance	<h1>Zeakka Electronics</h1>				Document No.: ZK-3001WM-S		
							.X ±0.3					Title: HOUSING, MALE, CRIMP TYPE, SINGLE ROW, 3.0MM PITCH, BLACK		
							.XX ±0.2							
Date	Version	EC No.	Description	DRWN	CH'K	APPR	.XXX ±0.1	Kai Lee	Cris Wang	Jun Wei	2020.8.8	mm	1:1	A



Specifications:

Current Rating: 5.0A AC/DC
 Voltage rating: 250V AC/DC
 Temperature range: -40°C to +105°C
 Contact resistance: 10mΩ max.
 Insulation resistance: 1000MΩ min.
 Withstand voltage: 1000V AC/minute
 Applicable wire: AWG24 - AWG20
 Insulation OD: max 1.85mm
 Package: reel

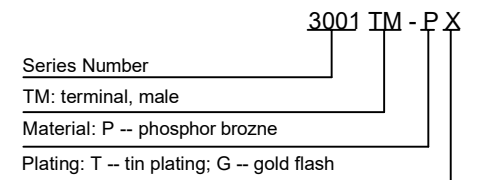
Material:

Phosphor bronze

Used with:

- 3001WM-S (wire connector, male, single row)
- 3001WME-S (wire connector, male, ears, single row)
- 3001WM-D (wire connector, male, dual row)
- 3001WME-D (wire connector, male, ears, dual row)

Part Number Information:



							General Tolerance	Zeakka Electronics				Document No.: ZK-3001TM		
							.X ±0.3					Title: TERMINAL, MALE, CRIMP TYPE, PHOSPHOR BRONZE, REEL		
							.XX ±0.2					APPR	CH'K	DRWN
Date	Version	EC No.	Description	DRWN	CH'K	APPR	.XXX ±0.1	Kai Lee	Cris Wang	Jun Wei	2020.8.8	mm	1:1	A
							THIRD ANGLE PROJECTION	⊕	⊖					