

Specifications:

Current Rating: 8.0A AC/DC
 Voltage rating: 250V AC/DC
 Temperature range: -25°C to +85°C
 Contact resistance: 15mΩ max.
 Insulation resistance: 1000MΩ min.
 Withstand voltage: 1500V AC/minute

Material:

Housing: nylon 66, UL94V-0, white

Mates with: 3962WM (wire connector, male)

Used with: 3962TF-PT (female terminal)

Part Number Information:

3962 WF - XX 00 WH

Series Number
 WF: wire connector, female
 No. of circuits: 01 to 06
 Material: 00-- nylon 66, UL94V-0
 Color: WH -- white

							General Tolerance	Zeakka Electronics				Document No.: ZK-3692WF						
							.X ±0.3					Title: HOUSING, FEMALE, CRIMP TYPE, SINGLE ROW, 3.96MM PITCH						
							.XX ±0.2					APPR	CH'K	DRWN	Date	Dimensions	Scale	Version
							.XXX ±0.1					Kai Lee	Cris Wang	Jun Wei	2020.8.8	mm	1:1	A
Date	Version	EC No.	Description	DRWN	CH'K	APPR	THIRD ANGLE PROJECTION											

Specifications:

Current Rating: 8.0A AC/DC
 Voltage rating: 250V AC/DC
 Temperature range: -25°C to +85°C
 Contact resistance: 15mΩ max.
 Insulation resistance: 1000MΩ min.
 Withstand voltage: 1500V AC/minute
 Applicable wire: AWG26 - AWG18
 Package: reel

Material:

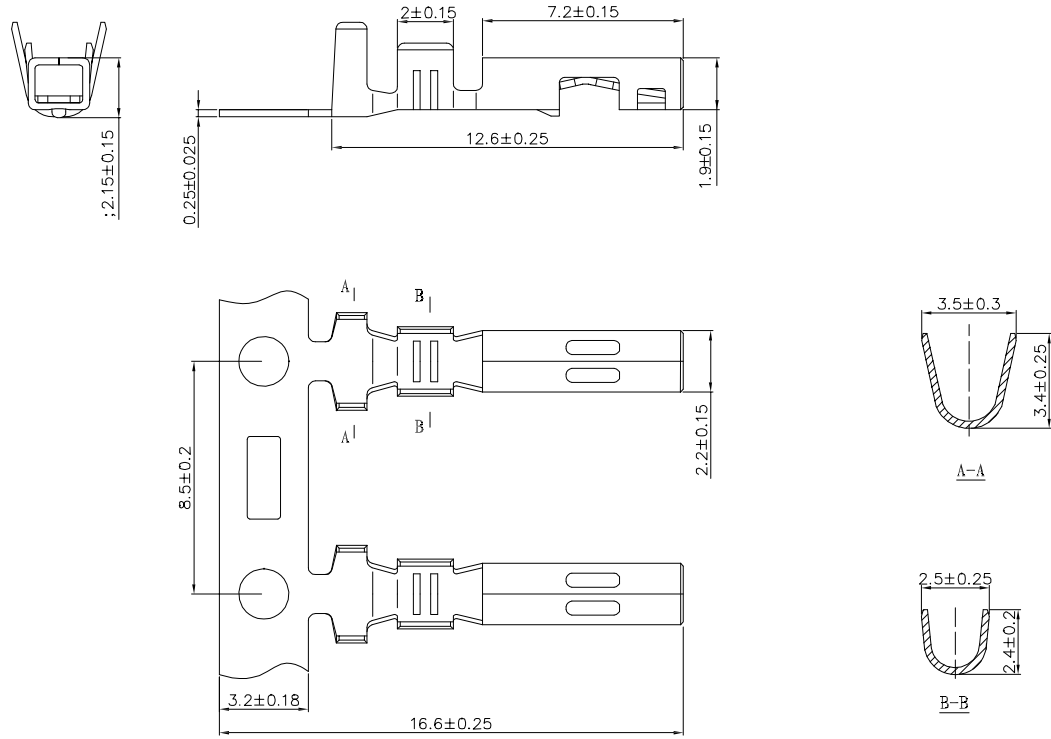
Phosphor bronze

Used with: 3962WF (wire connector, female)

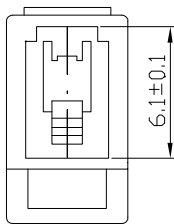
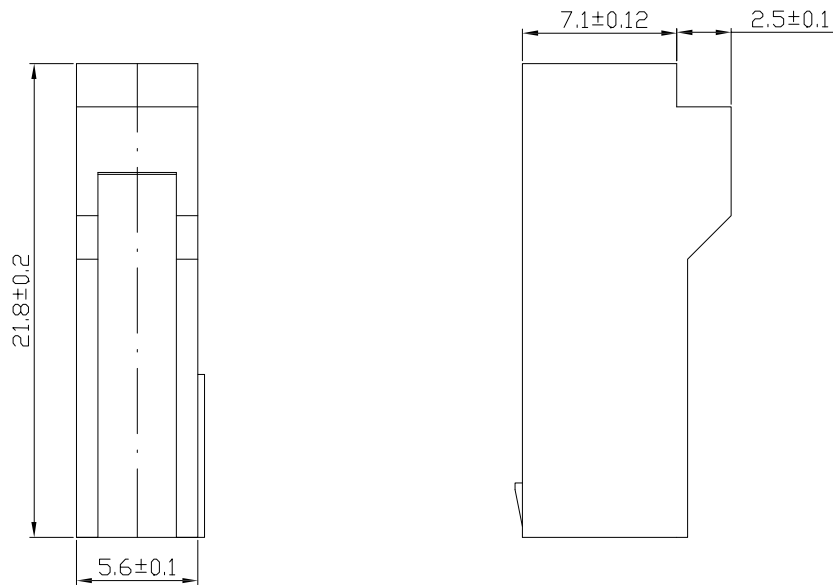
Part Number Information:

3962 TF - P T

Series Number _____
 TF: terminal, female _____
 Material: P -- phosphor bronze _____
 Plating: T -- tin plating _____



							General Tolerance	<h1>Zeakka Electronics</h1>				Document No.: ZK-3962TF					
							.X ±0.3					APPR CH'K DRWN Date Kai Lee Cris Wang Jun Wei 2020.8.8			Title: TERMINAL, FEMALE, CRIMP TYPE, PHOSPHOR BRONZE, TIN, REEL		
							.XX ±0.2								Dimensions	Scale	Version
							.XXX ±0.1								mm	1:1	A
Date	Version	EC No.	Description	DRWN	CH'K	APPR	THIRD ANGLE PROJECTION										



Specifications:

Current Rating: 8.0A AC/DC
 Voltage rating: 250V AC/DC
 Temperature range: -25°C to +85°C
 Contact resistance: 15mΩ max.
 Insulation resistance: 1000MΩ min.
 Withstand voltage: 1500V AC/minute

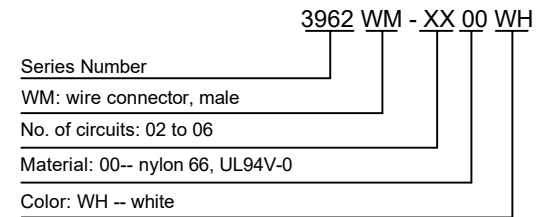
Material:

Housing: nylon 66, UL94V-0, white

Mates with: 3962WF (wire connector, female)

Used with: 3692TM-PT (male terminal)

Part Number Information:



							General Tolerance	Zeakka Electronics				Document No.: ZK-3962WM						
							.X ±0.3					Title: HOUSING, MALE, CRIMP TYPE, SINGLE ROW, 3.96MM PITCH						
							.XX ±0.2					APPR	CH'K	DRWN	Date	Dimensions	Scale	Version
							.XXX ±0.1					Kai Lee	Cris Wang	Jun Wei	2020.8.8	mm	1:1	A
Date	Version	EC No.	Description	DRWN	CH'K	APPR	THIRD ANGLE PROJECTION											

Specifications:

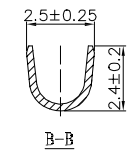
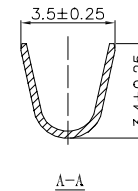
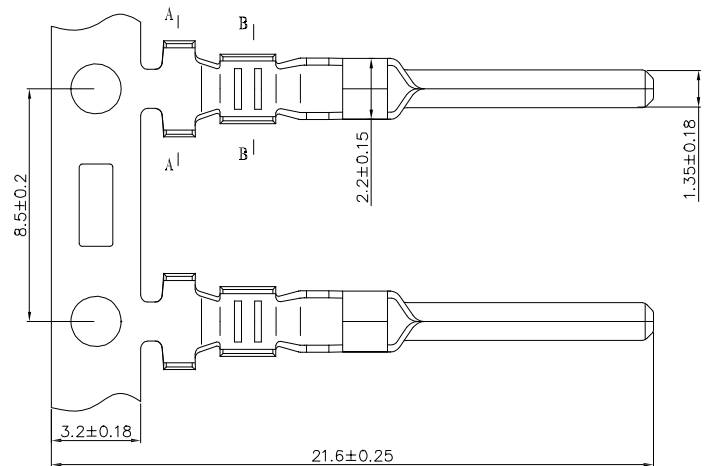
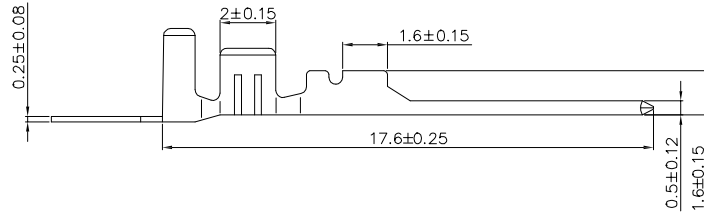
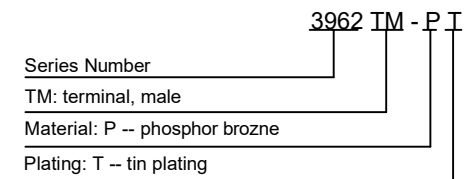
Current Rating: 8.0A AC/DC
 Voltage rating: 250V AC/DC
 Temperature range: -25°C to +85°C
 Contact resistance: 15mΩ max.
 Insulation resistance: 1000MΩ min.
 Withstand voltage: 1500V AC/minute
 Applicable wire: AWG26 - AWG18
 Package: reel

Material:

Phosphor bronze

Used with: 3962WM (wire connector, male)

Part Number Information:



							General Tolerance	Zeakka Electronics				Document No.: ZK-3962TM						
							.X ±0.3					Title: TERMINAL, MALE, CRIMP TYPE, PHOSPHOR BRONZE, TIN, REEL						
							.XX ±0.2					APPR	CH'K	DRWN	Date	Dimensions	Scale	Version
							.XXX ±0.1					Kai Lee	Cris Wang	Jun Wei	2020.8.8	mm	1:1	A
Date	Version	EC No.	Description	DRWN	CH'K	APPR	THIRD ANGLE PROJECTION											