

**Specifications:**

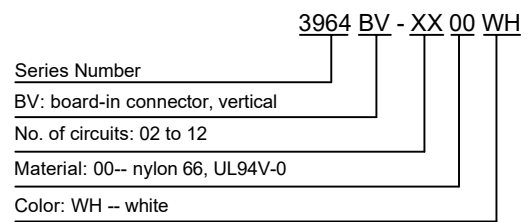
Current Rating: 7.0A AC/DC  
 Voltage rating: 250V AC/DC  
 Temperature range: -25°C to +85°C  
 Contact resistance: 10mΩ max.  
 Insulation resistance: 1000MΩ min.  
 Withstand voltage: 1500V AC/minute

**Material:**

Housing: nylon 66, UL94V-0, white

Used with: 3964T-PT (terminal)

**Part Number Information:**



Circuits	Dimensions (mm)	
	A	B
2	3.96	8.96
3	7.92	12.92
4	11.88	16.88
5	15.84	20.84
6	19.80	24.80
7	23.76	28.76
8	27.72	32.72
9	31.68	36.68
10	35.64	40.64
11	39.60	44.60
12	43.56	48.56

							General Tolerance	<b>Zeakka Electronics</b>				Document No.: ZK-3964BV						
							.X ±0.3					Title: HOUSING, BOARD-IN TYPE, SINGLE ROW, 3.96MM PITCH						
							.XX ±0.2					APPR	CH'K	DRWN	Date	Dimensions	Scale	Version
							.XXX ±0.1					Kai Lee	Cris Wang	Jun Wei	2020.8.8	mm	1:1	A
Date	Version	EC No.	Description	DRWN	CH'K	APPR	THIRD ANGLE PROJECTION											

**Specifications:**

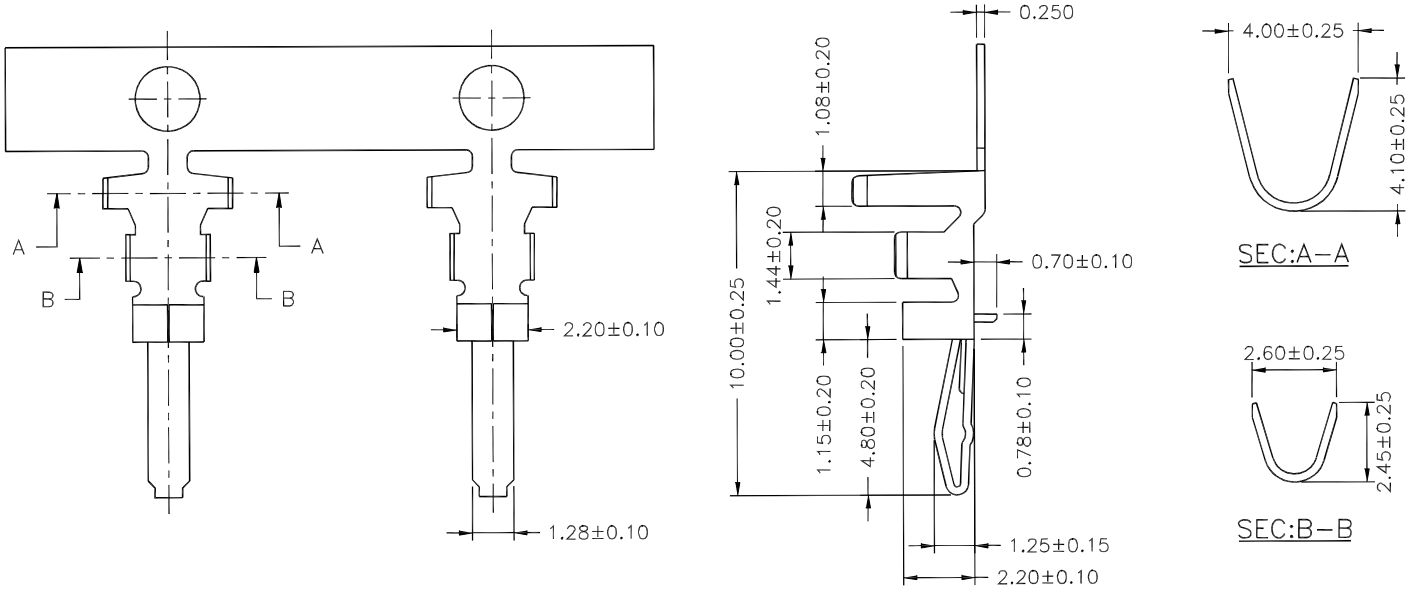
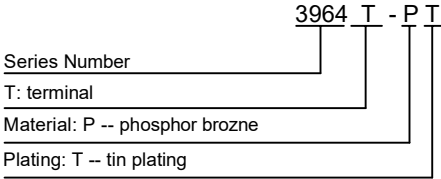
Current Rating: 7.0A AC/DC  
 Voltage rating: 250V AC/DC  
 Temperature range: -25°C to +85°C  
 Contact resistance: 10mΩ max.  
 Insulation resistance: 1000MΩ min.  
 Withstand voltage: 1500V AC/minute  
 Applicable wire: AWG22 - AWG18  
 Insulation OD: max 3.0mm  
 Package: reel

**Material:**

Phosphor bronze

**Used with:** 3964BV (board-in connector, vertical)

**Part Number Information:**



							General Tolerance	<b>Zeakka Electronics</b>				Document No.: ZK-3964T						
							.X ±0.3					Title: TERMINAL, FEMALE, CRIMP TYPE, PHOSPHOR BRONZE, TIN, REEL						
							.XX ±0.2					APPR	CH'K	DRWN	Date	Dimensions	Scale	Version
							.XXX ±0.1					Kai Lee	Cris Wang	Jun Wei	2020.8.8	mm	1:1	A
Date	Version	EC No.	Description	DRWN	CH'K	APPR	THIRD ANGLE PROJECTION											