

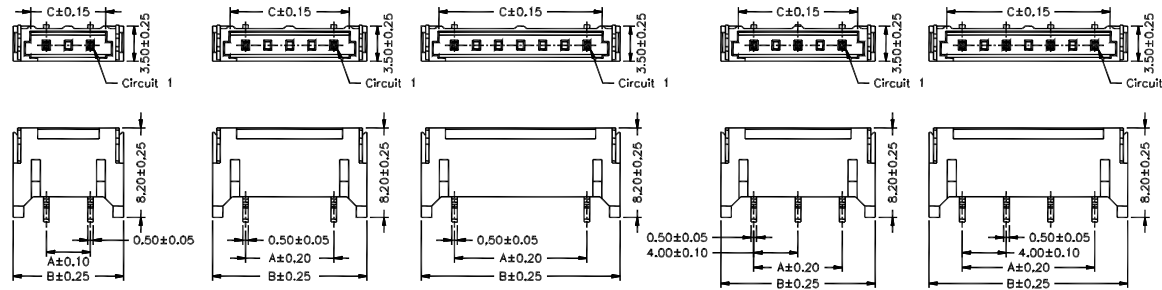
Specifications:

Current Rating: 1.0A AC/DC
 Voltage rating: 600V AC/DC
 Temperature range: -25°C to +85°C
 Contact resistance: 10mΩ max.
 Insulation resistance: 1000MΩ min.
 Withstand voltage: 1800V AC/minute
 Package: bag / tape & reel

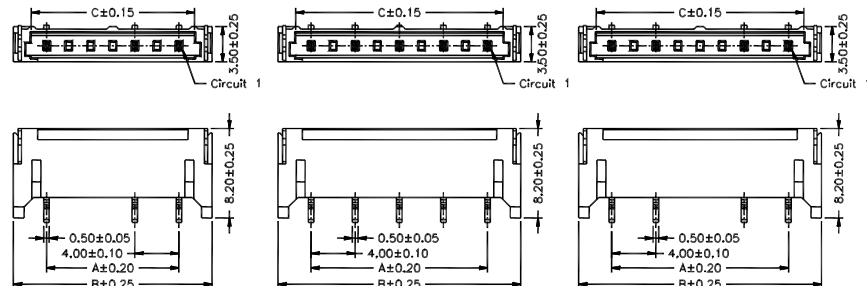
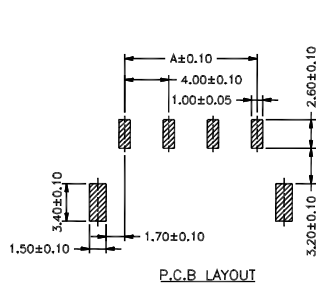
Material:

Housing: nylon 6T, UL94V-0, beige
 PIN: brass
 Solder tab: brass

Mates with: 4002WF (wire connector, female)



4002BRS-0206BGT 8002BRS-0206BGT 1202BRS-0206BGT 4002BRS-0306BGT 4002BRS-0406BGT



4002BRS-0406BGT 4002BRS-0506BGT 4002BRS-0506BGT

Part Number	Dimensions (mm)		
	A	B	C
4002BRS-0206BGT	4.00	10.00	6.80
8002BRS-0206BGT	8.00	14.00	10.80
1202BRS-0206BGT	12.00	18.00	14.80
4002BRS-0306BGT	8.00	14.00	10.80
4002BRS-0406BGT	12.00	18.00	14.80
4002BRS-0406BGT A	12.00	18.00	14.80
4002BRS-0506BGT	16.00	22.00	18.80
4002BRS-0506BGT A	16.00	22.00	18.80

							General Tolerance	<h1 style="text-align: center;">Zeakka Electronics</h1>				Document No.: ZK-4002BRS		
							.X ±0.3					Title: HEADER, R/A, SMT TYPE, SINGLE ROW, 4.0MM PITCH, TIN		
							.XX ±0.2					APPR	CH'K	DRWN
Date	Version	EC No.	Description	DRWN	CH'K	APPR	.XXX ±0.1	Kai Lee	Cris Wang	Jun Wei	2020.8.8	mm	1:1	A

Circuits	Dimensions (mm)	
	A	B
2	4.00	9.60
3	8.00	13.60
4	12.00	17.60
5	16.00	21.60

Specifications:

Current Rating: 1.0A AC/DC
Voltage rating: 600V AC/DC
Temperature range: -25°C to +85°C
Contact resistance: 10mΩ max.
Insulation resistance: 1000MΩ min.
Withstand voltage: 1800V AC/minute
Package: tape & reel

Material:

Housing: nylon 66, UL94V-0, white

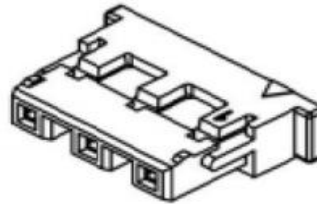
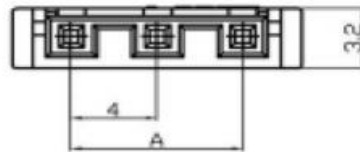
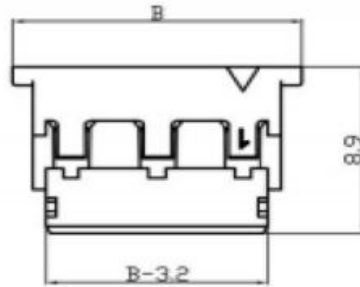
Mates with: 4002BRS (header, R/A, SMT type)
4002WM (wire connector, male)

Used with: 4002TF-PT (female terminal)

Part Number Information:

4002 WF - XX 00 WH

Series Number _____
WF: wire connector, female _____
No. of circuits: 02 to 05 _____
Material: 00-- nylon 66, UL94V-0 _____
Color: WH -- white _____



							General Tolerance	<h1>Zeakka Electronics</h1>				Document No.: ZK-4002WF					
							.X ±0.3					APPR CH'K DRWN Date Kai Lee Cris Wang Jun Wei 2020.8.8			Title: HOUSING, FEMALE, CRIMP TYPE, SINGLE ROW, 4.0MM PITCH		
							.XX ±0.2								Dimensions	Scale	Version
							.XXX ±0.1								mm	1:1	A
Date	Version	EC No.	Description	DRWN	CH'K	APPR	THIRD ANGLE PROJECTION										

Specifications:

Current Rating: 1.0A AC/DC
 Voltage rating: 600V AC/DC
 Temperature range: -25°C to +85°C
 Contact resistance: 10mΩ max.
 Insulation resistance: 1000MΩ min.
 Withstand voltage: 1800V AC/minute
 Applicable wire: AWG28 - AWG22
 Insulation OD: max 2.4mm
 Package: reel

Material:

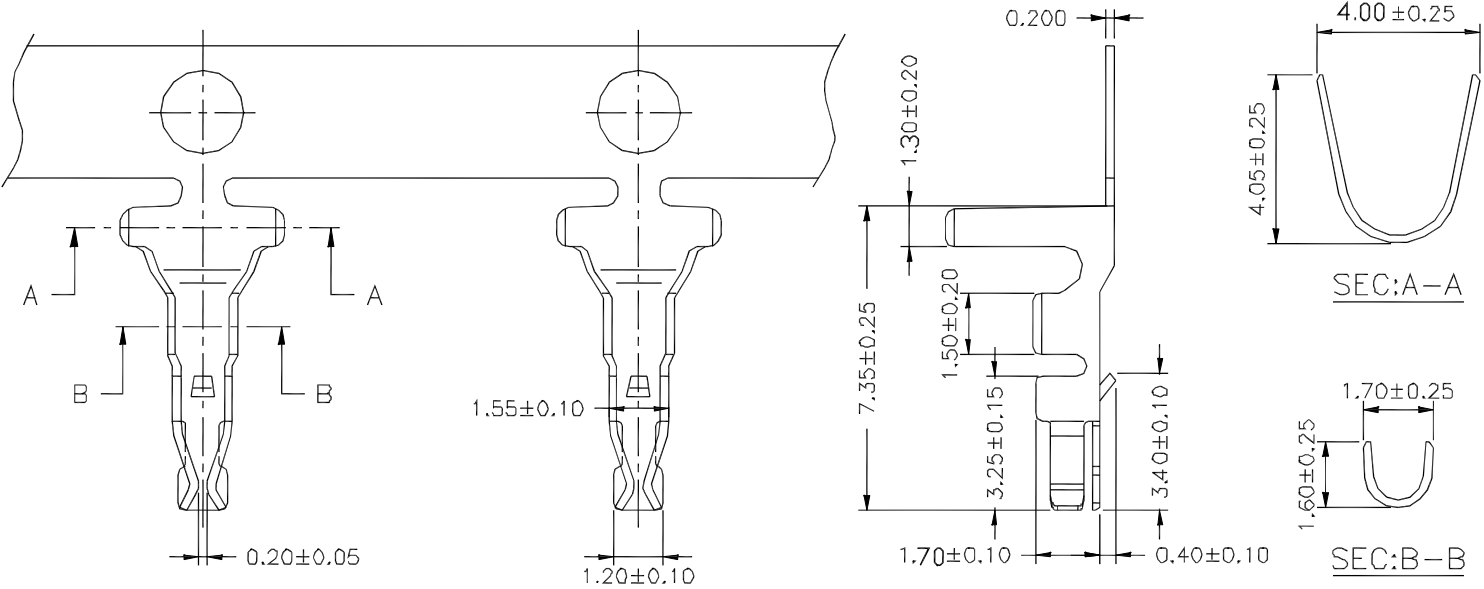
Phosphor bronze

Used with: 4002WF (wire connector, female)

Part Number Information:

4002TF - P T

Series Number _____
 TF: terminal, female _____
 Material: P -- phosphor bronze _____
 Plating: T -- tin plating _____

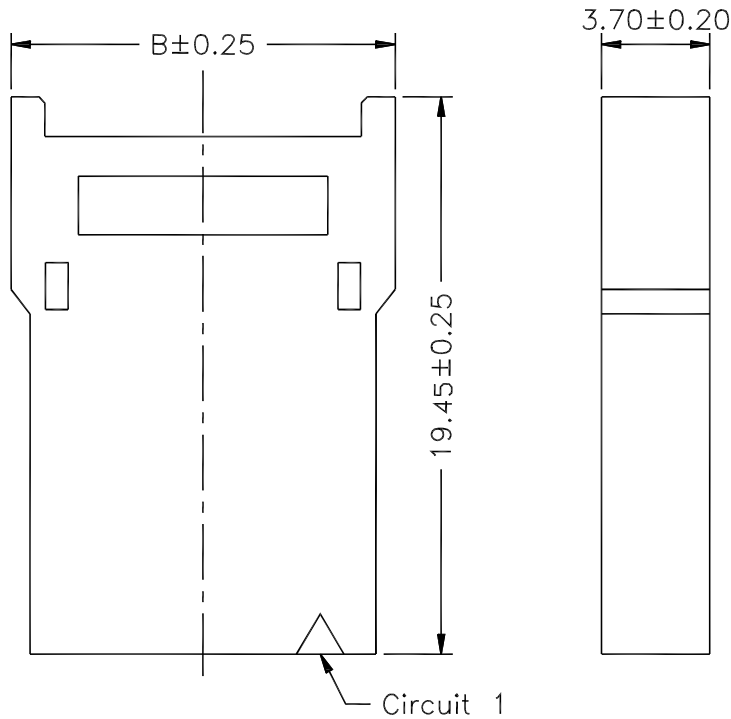
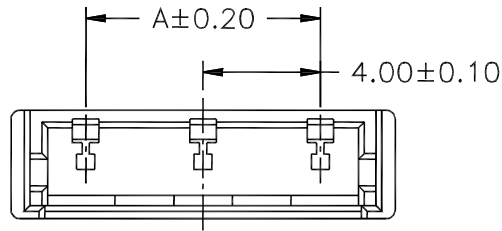
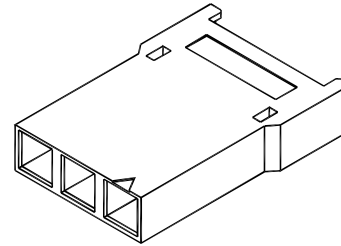


							General Tolerance	Zeakka Electronics				Document No.: ZK-4002TF						
							.X ±0.3					Title: TERMINAL, FEMALE, CRIMP TYPE, PHOSPHOR BRONZE, TIN, REEL						
							.XX ±0.2					APPR	CH'K	DRWN	Date	Dimensions	Scale	Version
							.XXX ±0.1					Kai Lee	Cris Wang	Jun Wei	2020.8.8	mm	1:1	A
Date	Version	EC No.	Description	DRWN	CH'K	APPR	THIRD ANGLE PROJECTION											

Circuits	Dimensions (mm)	
	A	B
2	4.00	9.40
3	8.00	13.40
4	12.00	17.40
5	16.00	21.40

Specifications:

Current Rating: 1.0A AC/DC
Voltage rating: 600V AC/DC
Temperature range: -25°C to +85°C
Contact resistance: 10mΩ max.
Insulation resistance: 1000MΩ min.
Withstand voltage: 1800V AC/minute
Package: tape & reel



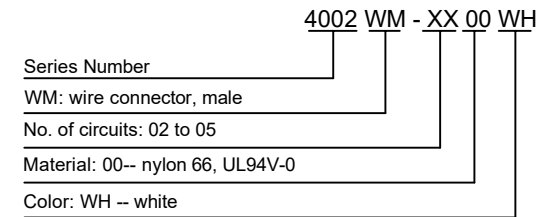
Material:

Housing: nylon 66, UL94V-0, white

Mates with: 4002WF (wire connector, female)

Used with: 4002TM-PT (male terminal)

Part Number Information:



							General Tolerance	Zeakka Electronics				Document No.: ZK-4002WM		
							.X ±0.3					Title: HOUSING, MALE, CRIMP TYPE, SINGLE ROW, 4.0MM PITCH		
							.XX ±0.2	APPR	CH'K	DRWN	Date	Dimensions	Scale	Version
Date	Version	EC No.	Description	DRWN	CH'K	APPR	.XXX ±0.1	Kai Lee	Cris Wang	Jun Wei	2020.8.8	mm	1:1	A
							THIRD ANGLE PROJECTION							

Specifications:

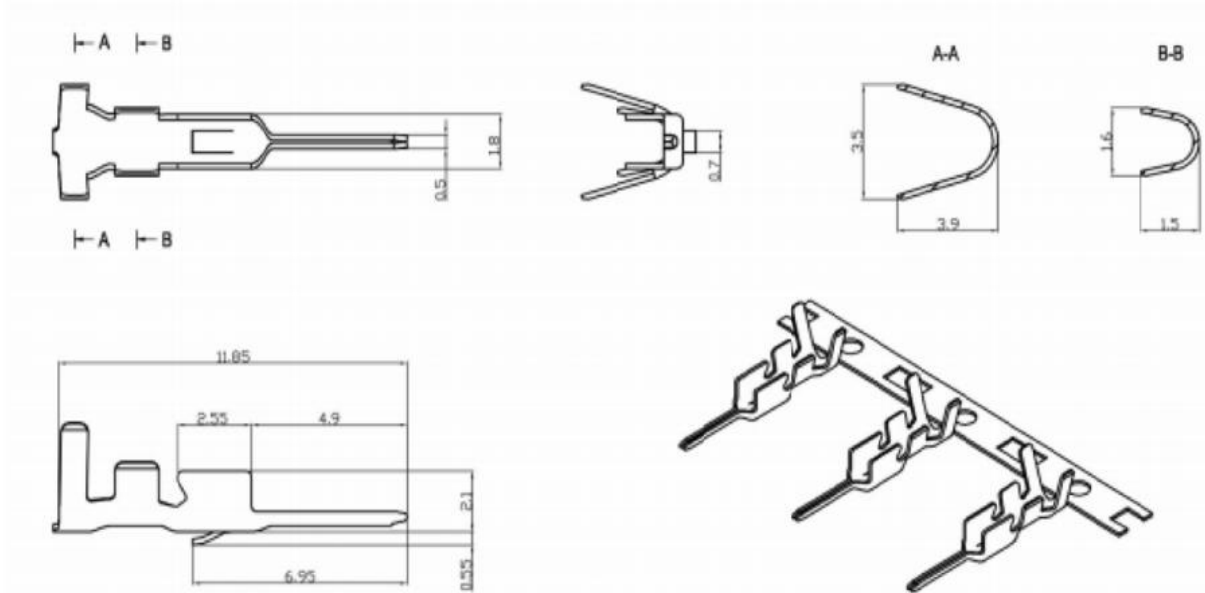
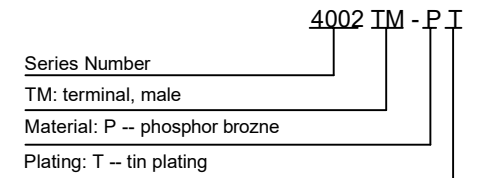
Current Rating: 1.0A AC/DC
 Voltage rating: 600V AC/DC
 Temperature range: -25°C to +85°C
 Contact resistance: 10mΩ max.
 Insulation resistance: 1000MΩ min.
 Withstand voltage: 1800V AC/minute
 Applicable wire: AWG28 - AWG22
 Insulation OD: max 2.4mm
 Package: reel

Material:

Phosphor bronze

Used with: 4002HM (wire connector, male)

Part Number Information:



							General Tolerance	<h1>Zeakka Electronics</h1>				Document No.: ZK-4002TM		
							.X ±0.3					Title: TERMINAL, MALE, CRIMP TYPE, PHOSPHOR BRONZE, TIN, REEL		
							.XX ±0.2					APPR	CH'K	DRWN
Date	Version	EC No.	Description	DRWN	CH'K	APPR	.XXX ±0.1	Kai Lee	Cris Wang	Jun Wei	2020.8.8	mm	1:1	A

THIRD ANGLE PROJECTION