

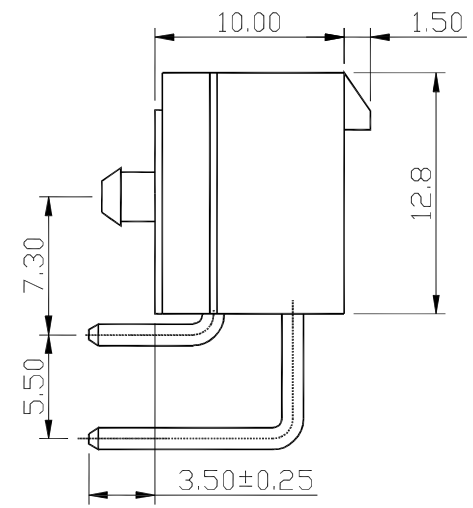
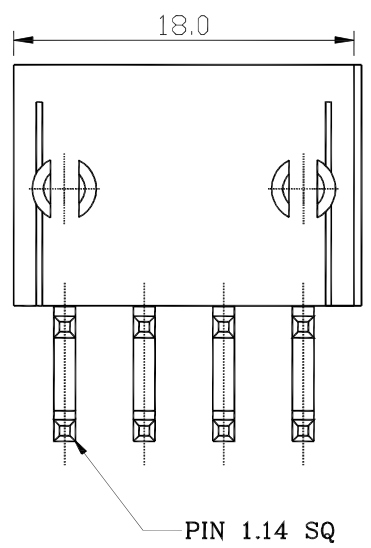
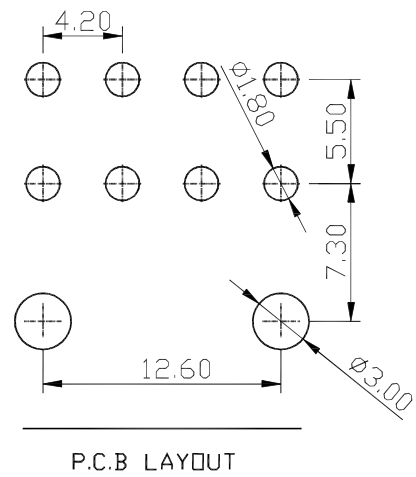
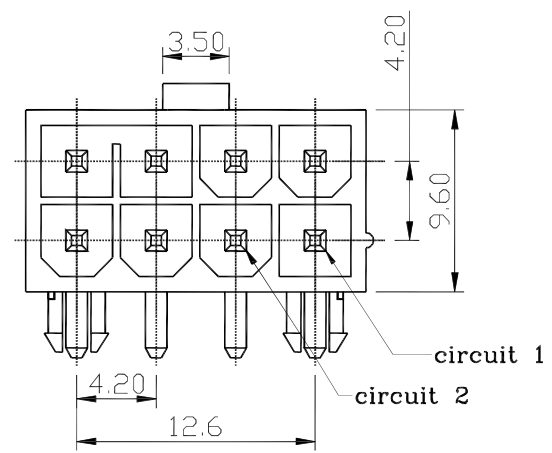
Circuits	Dimensions (mm)	
	A	B
4	4.20	8.40
6	8.40	19.20
8	12.60	23.40
10	16.80	27.60
12	21.00	31.80
14	25.20	36.00
16	29.40	40.20
18	33.60	44.40
20	37.80	48.60
22	42.00	52.80
24	46.20	57.00

Specifications:

Current Rating: 9.0A AC/DC
Voltage rating: 600V AC/DC
Temperature range: -40°C to +105°C
Contact resistance: 10mΩ max.
Insulation resistance: 1000MΩ min.
Withstand voltage: 1500V AC/minute

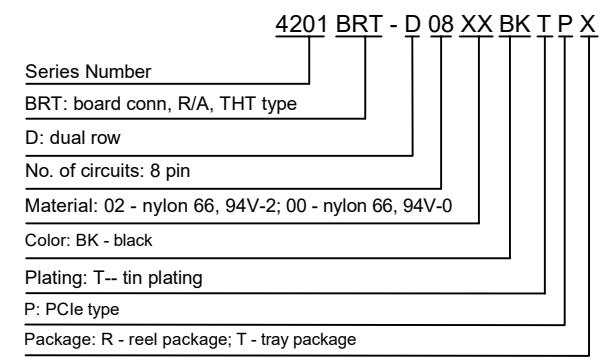
Material:

Housing: nylon 66, UL94V-0/2, white / transparent white
PIN: brass

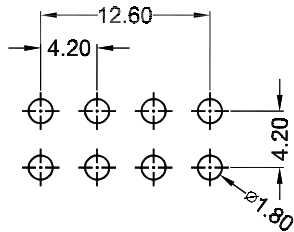
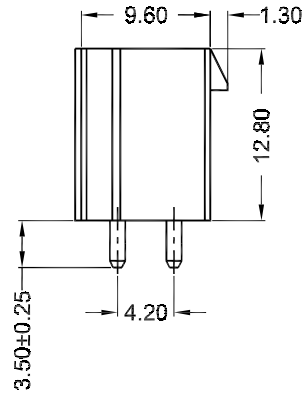
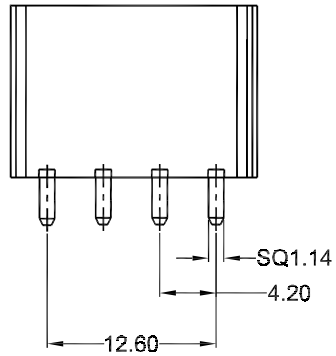
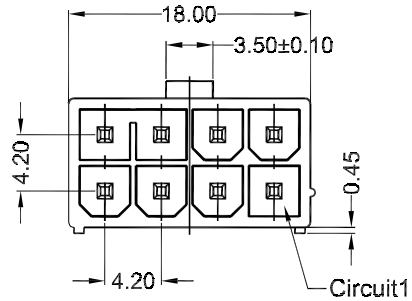


Mates with: 4201WF-D0800BKP (8 pin PCIe housing)

Part Number Information:



Date	Version	EC No.	Description	DRWN	CH'K	APPR	General Tolerance	Zeakka Electronics				Document No.:	ZK-4201BRT-P	
							.X ±0.3	APPR	CH'K	DRWN	Date	Dimensions	Scale	Version
							.XX ±0.2	Kai Lee	Cris Wang	Jun Wei	2020.8.8	mm	1:1	A
							.XXX ±0.1							



P.C.B LAYOUT

Specifications:

Current Rating: 9.0A AC/DC
 Voltage rating: 600V AC/DC
 Temperature range: -40°C to +105°C
 Contact resistance: 10mΩ max.
 Insulation resistance: 1000MΩ min.
 Withstand voltage: 1500V AC/minute

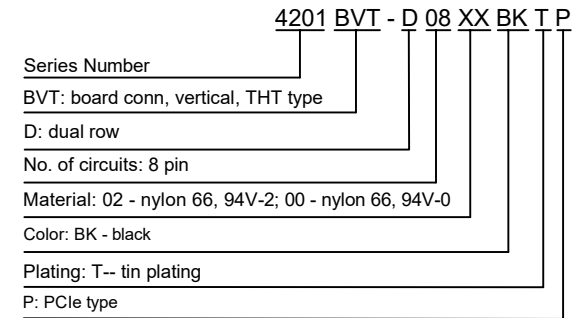
Circuits	Dimensions (mm)		
	A	B	C
4	4.20	15.10	13.60
6	8.40	19.30	17.80
8	12.60	23.50	22.00
10	16.80	27.70	26.20
12	21.00	31.90	30.40
14	25.20	36.10	34.60
16	29.40	40.30	38.80
18	33.60	44.50	43.00
20	37.80	48.70	47.20
22	42.00	52.90	51.40
24	46.20	57.10	55.60

Material:

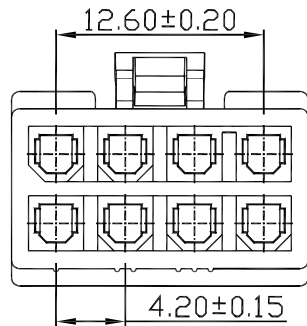
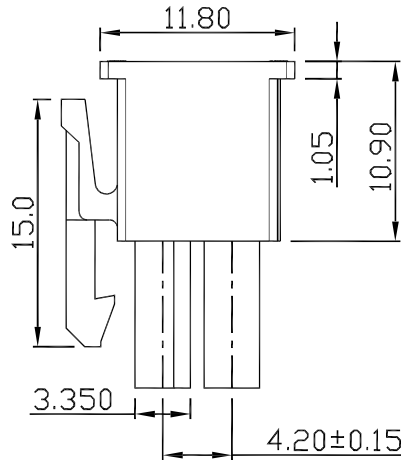
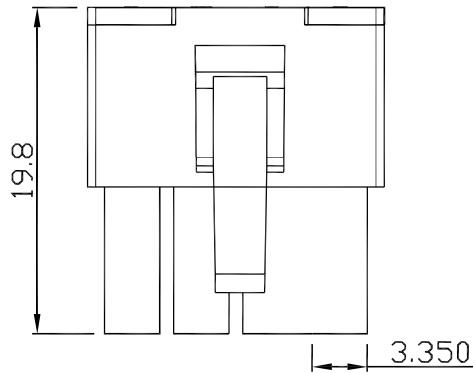
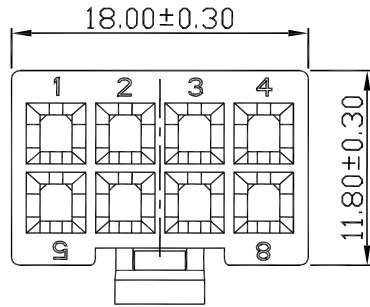
Housing: nylon 66, UL94V-0/2, white / transparent white
 PIN: brass

Mates with: 4201WF-D0800BKP (8 pin PCIe housing)

Part Number Information:



							General Tolerance	Zeakka Electronics				Document No.: ZK-4201BVT-P		
							.X ±0.3					Title: 8 PIN PCIe HEADER, VERTICAL, THT TYPE, DUAL ROW, 4.2MM PITCH, TIN		
							.XX ±0.2	APPR	CH'K	DRWN	Date	Dimensions	Scale	Version
Date	Version	EC No.	Description	DRWN	CH'K	APPR	.XXX ±0.1	Kai Lee	Cris Wang	Jun Wei	2020.8.8	mm	1:1	A
							THIRD ANGLE PROJECTION							



Specifications:

Current Rating: 9.0A AC/DC
 Voltage rating: 600V AC/DC
 Temperature range: -40°C to +105°C
 Contact resistance: 10mΩ max.
 Insulation resistance: 1000MΩ min.
 Withstand voltage: 1500V AC/minute

Material:

Housing: nylon 66, UL94V-0/2, black

Used with:

4201TF-XX (female terminal)
 4201TFH-XX (female terminal, high crimp height)

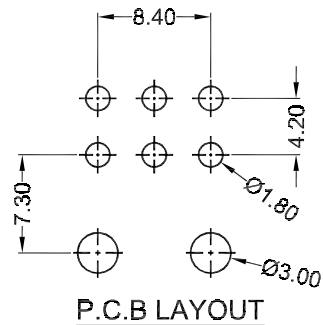
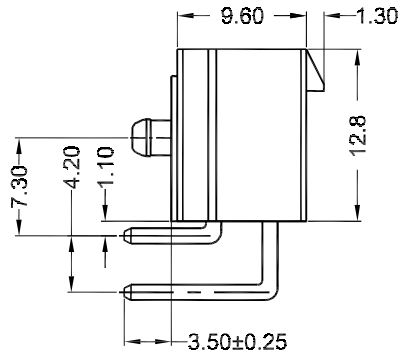
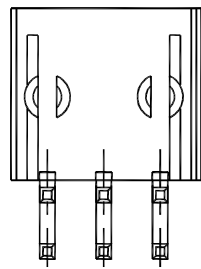
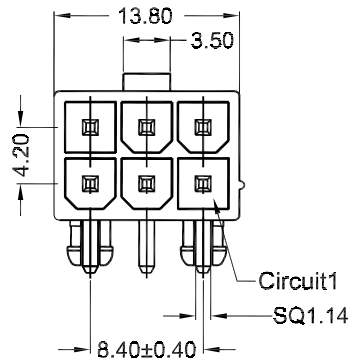
Part Number Information:

4201 WF - D 08 00 BK P

Series Number
 WF: wire connector, female
 D: dual row
 No. of circuits: 8 pin
 Material: 00 - nylon 66, 94V-0; 02 - nylon 66, 94V-2
 Color: BK - black
 P: PCIe type

							General Tolerance	<h1>Zeakka Electronics</h1>				Document No.: 4201WF-D0800BKP		
							.X ±0.3					Title: 8 PIN PCIe HOUSING, FEMALE, CRIMP TYPE, DUAL ROW, 4.2MM PITCH		
							.XX ±0.2					APPR	CH'K	DRWN
Date	Version	EC No.	Description	DRWN	CH'K	APPR	.XXX ±0.1	Kai Lee	Cris Wang	Jun Wei	2020.8.8	mm	1:1	A

THIRD ANGLE PROJECTION



Specifications:

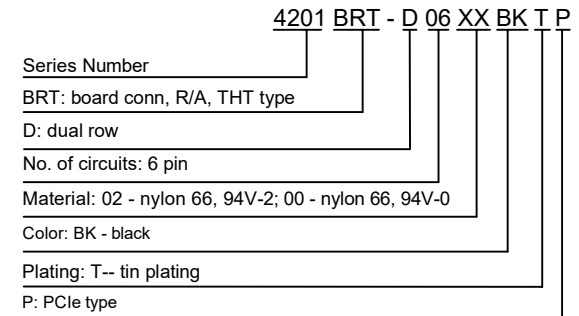
Current Rating: 9.0A AC/DC
 Voltage rating: 600V AC/DC
 Temperature range: -40°C to +105°C
 Contact resistance: 10mΩ max.
 Insulation resistance: 1000MΩ min.
 Withstand voltage: 1500V AC/minute

Material:

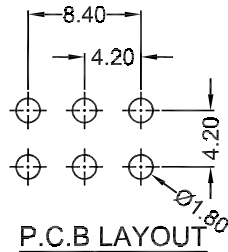
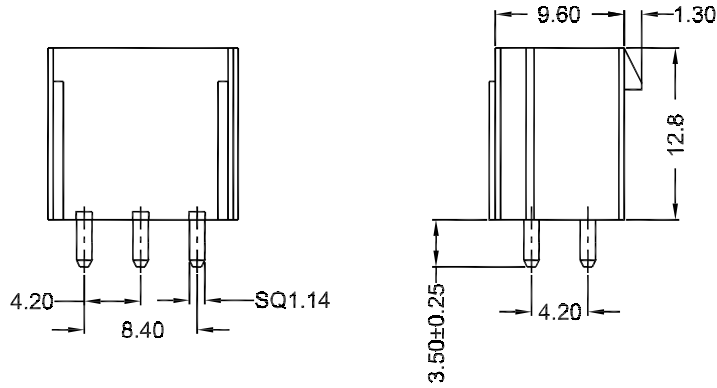
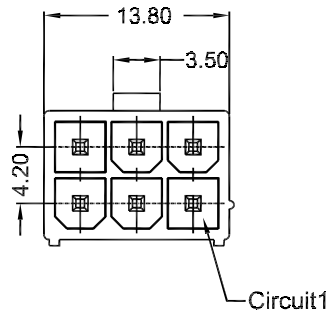
Housing: nylon 66, UL94V-0/2, black
 PIN: brass

Mates with: 4201WF-D0600BKP (6 pin PCIe housing)

Part Number Information:



							General Tolerance	Zeakka Electronics				Document No.: 4201BRT-D06XXBKTP		
							.X ±0.3					Title: 6 PIN PCIe HEADER, R/A, THT TYPE, DUAL ROW, 4.2MM PITCH, TIN		
							.XX ±0.2					APPR	CH'K	DRWN
Date	Version	EC No.	Description	DRWN	CH'K	APPR	.XXX ±0.1	Kai Lee	Cris Wang	Jun Wei	2020.8.8	mm	1:1	A
							THIRD ANGLE PROJECTION							



Specifications:

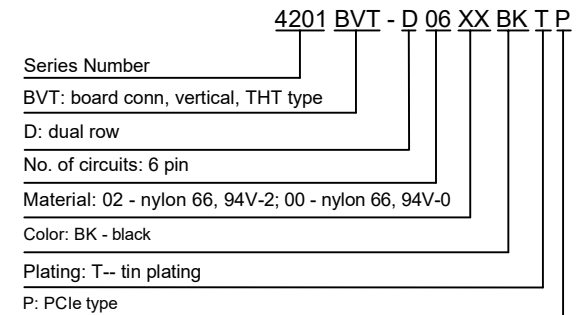
Current Rating: 9.0A AC/DC
 Voltage rating: 600V AC/DC
 Temperature range: -40°C to +105°C
 Contact resistance: 10mΩ max.
 Insulation resistance: 1000MΩ min.
 Withstand voltage: 1500V AC/minute

Material:

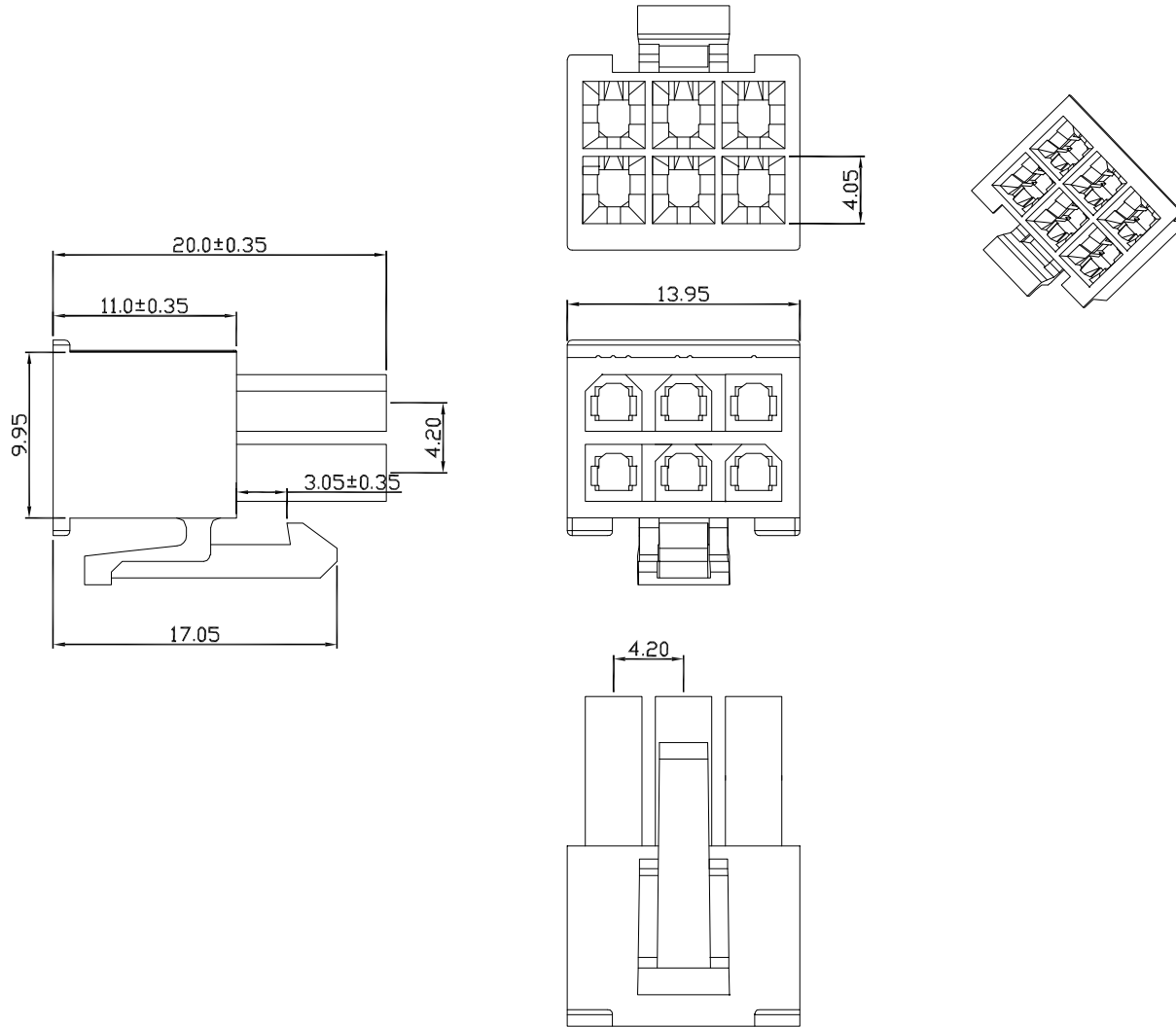
Housing: nylon 66, UL94V-0/2, black
 PIN: brass

Mates with: 4201WF-D0600BKP (6 pin PCIe housing)

Part Number Information:



							General Tolerance	Zeakka Electronics				Document No.: 4201BVT-D06XXBKTP						
							.X ±0.3					Title: 6 PIN PCIe HEADER, VERTICAL, THT TYPE, DUAL ROW, 4.2MM PITCH, TIN						
							.XX ±0.2					APPR	CH'K	DRWN	Date	Dimensions	Scale	Version
							.XXX ±0.1					Kai Lee	Cris Wang	Jun Wei	2020.8.8	mm	1:1	A
Date	Version	EC No.	Description	DRWN	CH'K	APPR	THIRD ANGLE PROJECTION											



Specifications:

Current Rating: 9.0A AC/DC
 Voltage rating: 600V AC/DC
 Temperature range: -40°C to +105°C
 Contact resistance: 10mΩ max.
 Insulation resistance: 1000MΩ min.
 Withstand voltage: 1500V AC/minute

Material:

Housing: nylon 66, UL94V-0/2, black

Used with:

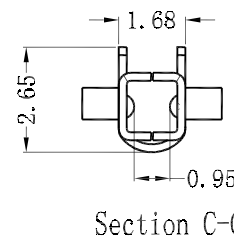
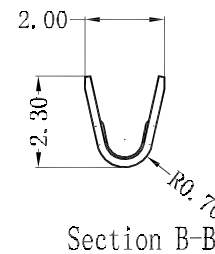
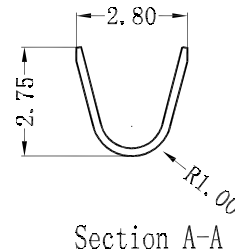
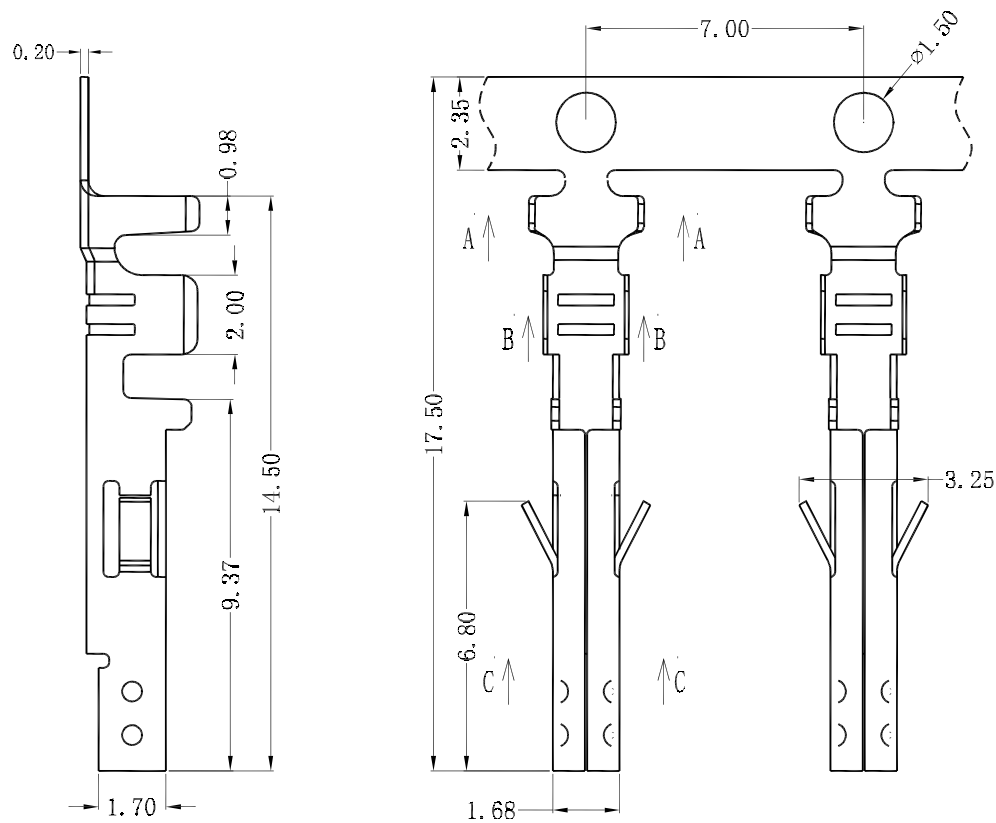
4201TF-XX (female terminal)
 4201TFH-XX (female terminal, high crimp height)

Part Number Information:

4201 WF - D 06 00 BK P

Series Number
 WF: wire connector, female
 D: dual row
 No. of circuits: 6 pin
 Material: 00 - nylon 66, 94V-0; 02 - nylon 66, 94V-2
 Color: BK - black
 P: PCIe type

							General Tolerance	<h1>Zeakka Electronics</h1>				Document No.: 4201WF-D0600BKP						
							.X ±0.3					Title: 6 PIN PCIe HOUSING, FEMALE, CRIMP TYPE, DUAL ROW, 4.2MM PITCH						
							.XX ±0.2					APPR	CH'K	DRWN	Date	Dimensions	Scale	Version
							.XXX ±0.1					Kai Lee	Cris Wang	Jun Wei	2020.8.8	mm	1:1	A
Date	Version	EC No.	Description	DRWN	CH'K	APPR	THIRD ANGLE PROJECTION											



Specifications:

Current Rating: 9.0A AC/DC
 Voltage rating: 600V AC/DC
 Temperature range: -40°C to +105°C
 Contact resistance: 10mΩ max.
 Insulation resistance: 1000MΩ min.
 Withstand voltage: 1500V AC/minute
 Applicable wire: AWG22 - AWG18
 Insulation OD: max 3.0mm
 Package: reel

Material:

Brass

Used with:

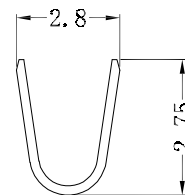
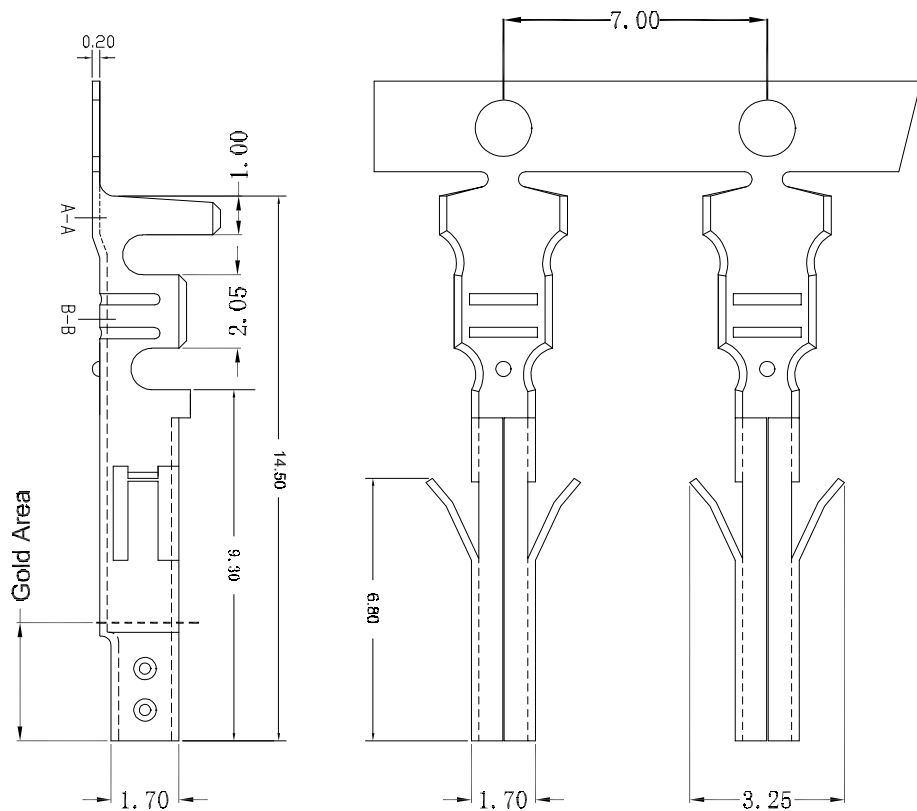
4201WF-S (wire connector, female, single row)
 4201WF-D (wire connector, female, dual row)

Part Number Information:

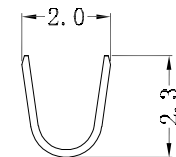
4201 TF - B X

Series Number _____
 TF: terminal, female _____
 Material: B -- brass _____
 Plating: T -- tin plating; G -- gold flash _____

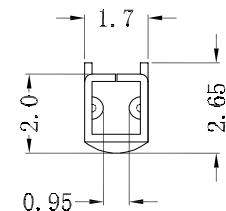
							General Tolerance	<h1>Zeakka Electronics</h1>				Document No.: ZK-4201TF-BX						
							.X ±0.3					Title: TERMINAL, FEMALE, CRIMP TYPE, BRASS, REEL						
							.XX ±0.2					APPR	CH'K	DRWN	Date	Dimensions	Scale	Version
							.XXX ±0.1					Kai Lee	Cris Wang	Jun Wei	2020.8.8	mm	1:1	A
Date	Version	EC No.	Description	DRWN	CH'K	APPR	THIRD ANGLE PROJECTION											



A-A



B-B



Specifications:

- Current Rating: 9.0A AC/DC
- Voltage rating: 600V AC/DC
- Temperature range: -40°C to +105°C
- Contact resistance: 10mΩ max.
- Insulation resistance: 1000MΩ min.
- Withstand voltage: 1500V AC/minute
- Applicable wire: AWG22 - AWG18
- Insulation OD: max 3.0mm
- Package: reel

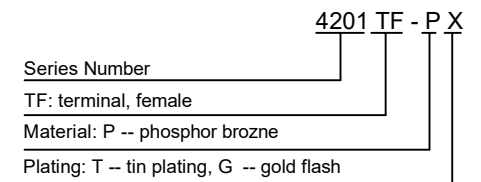
Material:

Phosphor bronze

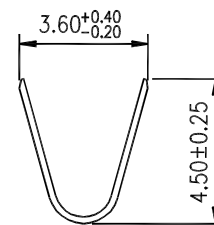
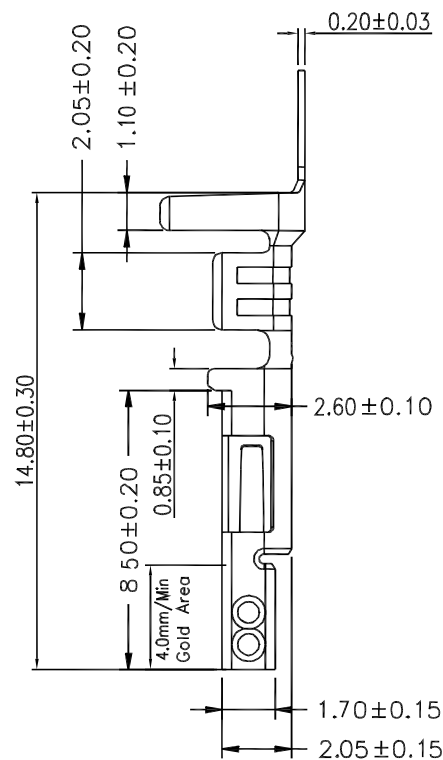
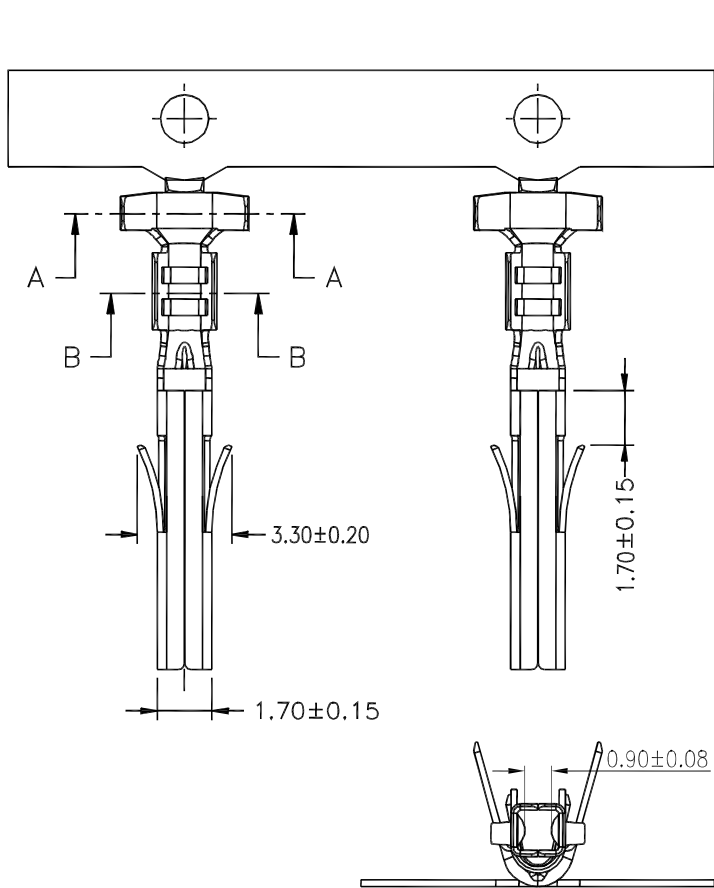
Used with:

- 4201WF-S (wire connector, female, single row)
- 4201WF-D (wire connector, female, dual row)

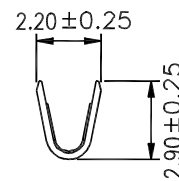
Part Number Information:



							General Tolerance	Zeakka Electronics				Document No.: ZK-4201TF-PX						
							.X ±0.3					Title: TERMINAL, FEMALE, CRIMP TYPE, PHOSPHOR BRONZE, REEL						
							.XX ±0.2					APPR	CH'K	DRWN	Date	Dimensions	Scale	Version
							.XXX ±0.1					Kai Lee	Cris Wang	Jun Wei	2020.8.8	mm	1:1	A
Date	Version	EC No.	Description	DRWN	CH'K	APPR	THIRD ANGLE PROJECTION											



SEC:A-A



SEC:B-B

Specifications:

Current Rating: 9.0A AC/DC
 Voltage rating: 600V AC/DC
 Temperature range: -40°C to +105°C
 Contact resistance: 10mΩ max.
 Insulation resistance: 1000MΩ min.
 Withstand voltage: 1500V AC/minute
 Applicable wire: AWG22 - AWG16
 Package: reel

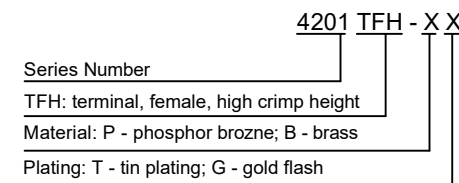
Material:

Phosphor bronze / Brass

Used with:

4201WF-S (wire connector, female, single row)
 4201WF-D (wire connector, female, dual row)

Part Number Information:



							General Tolerance	Zeakka Electronics				Document No.: ZK-4201TFH						
							.X ±0.3					Title: TERMINAL, FEMALE, CRIMP TYPE, PHOSPHOR BRONZE / BRASS, REEL						
							.XX ±0.2					APPR	CH'K	DRWN	Date	Dimensions	Scale	Version
							.XXX ±0.1					Kai Lee	Cris Wang	Jun Wei	2020.8.8	mm	1:1	A
Date	Version	EC No.	Description	DRWN	CH'K	APPR	THIRD ANGLE PROJECTION											