

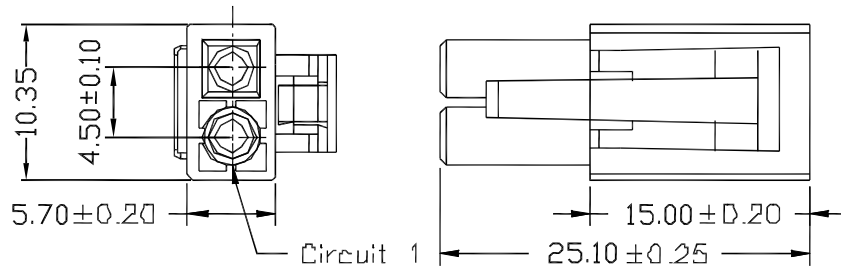
Part Number: 4501WM-S0200WH

**Specifications:**

Current Rating: 10A AC/DC  
 Voltage rating: 300V AC/DC  
 Temperature range: -25°C to +90°C  
 Contact resistance: 7mΩ max.  
 Insulation resistance: 1000MΩ min.  
 Withstand voltage: 1500V AC/minute

**Material:**

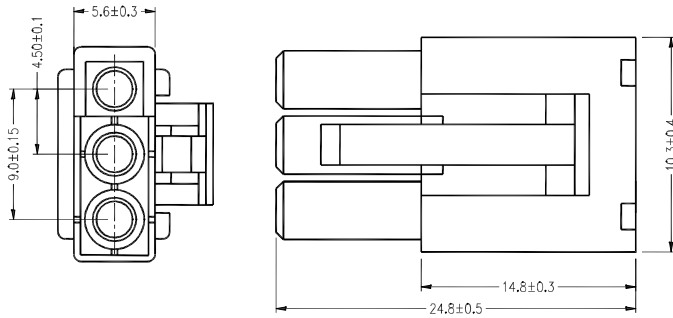
Housing: nylon 66, UL94V-0, white



Part Number: 4501WF-S0200WH

							General Tolerance	<b>Zeakka Electronics</b>				Document No.: ZK-4501-S02		
							.X ±0.3					Title: HOUSING, FEMALE & MALE, CRIMP TYPE, SINGLE ROW, 4.5MM PITCH, 2 PIN		
							.XX ±0.2					APPR	CH'K	DRWN
Date	Version	EC No.	Description	DRWN	CH'K	APPR	.XXX ±0.1	Kai Lee	Cris Wang	Jun Wei	2020.8.8	mm	1:1	A

THIRD ANGLE PROJECTION



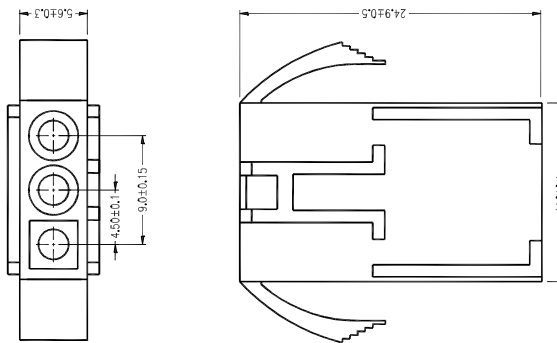
Part Number: 4501WF-S0300WH

**Specifications:**

Current Rating: 10A AC/DC  
 Voltage rating: 300V AC/DC  
 Temperature range: -25°C to +90°C  
 Contact resistance: 7mΩ max.  
 Insulation resistance: 1000MΩ min.  
 Withstand voltage: 1500V AC/minute

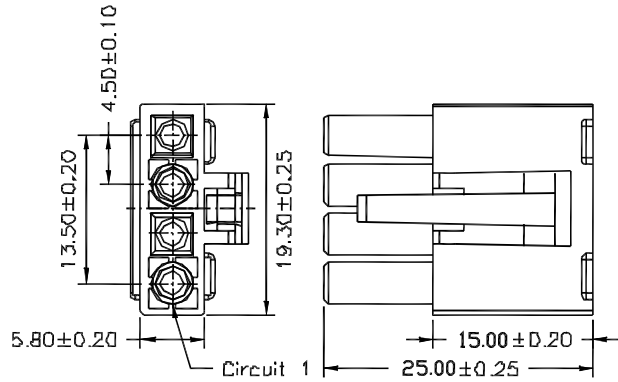
**Material:**

Housing: nylon 66, UL94V-0, white



Part Number: 4501WM-S0300WH

							General Tolerance	<b>Zeakka Electronics</b>				Document No.: ZK-4501-S03		
							.X ±0.3					Title: HOUSING, FEMALE & MALE, CRIMP TYPE, SINGLE ROW, 4.5MM PITCH, 3 PIN		
							.XX ±0.2					APPR	CH'K	DRWN
Date	Version	EC No.	Description	DRWN	CH'K	APPR	.XXX ±0.1	Kai Lee	Cris Wang	Jun Wei	2020.8.8	mm	1:1	A
							THIRD ANGLE PROJECTION							



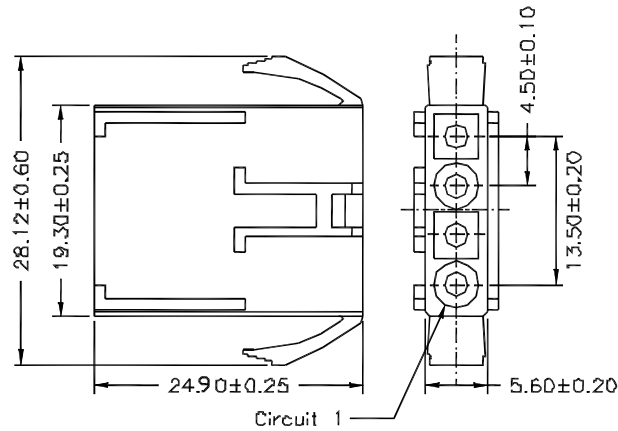
Part Number: 4501WF-S0400WH

**Specifications:**

Current Rating: 10A AC/DC  
 Voltage rating: 300V AC/DC  
 Temperature range: -25°C to +90°C  
 Contact resistance: 7mΩ max.  
 Insulation resistance: 1000MΩ min.  
 Withstand voltage: 1500V AC/minute

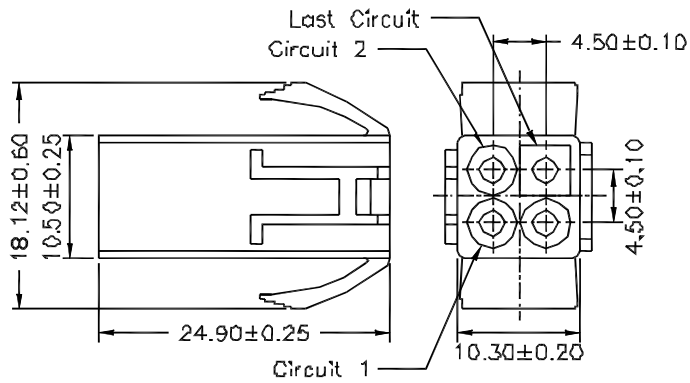
**Material:**

Housing: nylon 66, UL94V-0, white



Part Number: 4501WM-S0400WH

							General Tolerance	<h1>Zeakka Electronics</h1>				Document No.: ZK-4501-S04		
							.X ±0.3					Title: HOUSING, FEMALE & MALE, CRIMP TYPE, SINGLE ROW, 4.5MM PITCH, 4 PIN		
							.XX ±0.2							
							.XXX ±0.1	APPR	CH'K	DRWN	Date	Dimensions	Scale	Version
Date	Version	EC No.	Description	DRWN	CH'K	APPR	THIRD ANGLE PROJECTION	Kai Lee	Cris Wang	Jun Wei	2020.8.8	mm	1:1	A



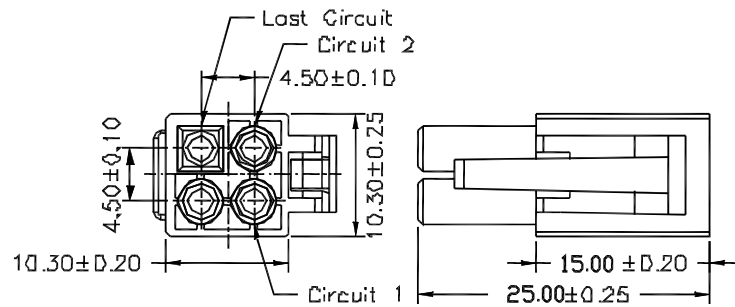
Part Number: 4501WM-D0400WH

**Specifications:**

Current Rating: 10A AC/DC  
 Voltage rating: 300V AC/DC  
 Temperature range: -25°C to +90°C  
 Contact resistance: 7mΩ max.  
 Insulation resistance: 1000MΩ min.  
 Withstand voltage: 1500V AC/minute

**Material:**

Housing: nylon 66, UL94V-0, white



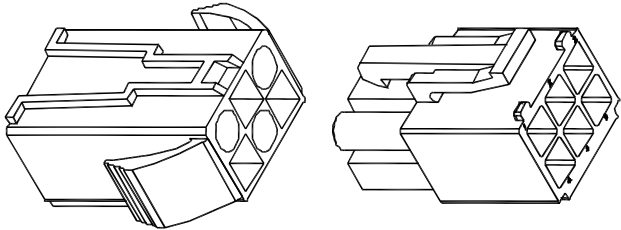
Part Number: 4501WF-D0400WH

							General Tolerance	<b>Zeakka Electronics</b>				Document No.: ZK-4501-D04		
							.X ±0.3					Title: HOUSING, FEMALE & MALE, CRIMP TYPE, DUAL ROW, 4.5MM PITCH, 4 PIN		
							.XX ±0.2							
Date	Version	EC No.	Description	DRWN	CH'K	APPR	.XXX ±0.1	Kai Lee	Cris Wang	Jun Wei	2020.8.8	mm	1:1	A

THIRD ANGLE PROJECTION

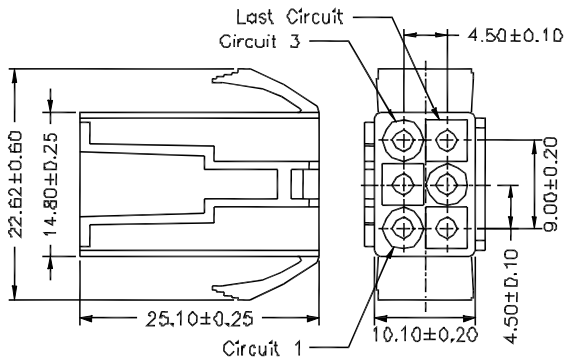
**Specifications:**

Current Rating: 10A AC/DC  
 Voltage rating: 300V AC/DC  
 Temperature range: -25°C to +90°C  
 Contact resistance: 7mΩ max.  
 Insulation resistance: 1000MΩ min.  
 Withstand voltage: 1500V AC/minute

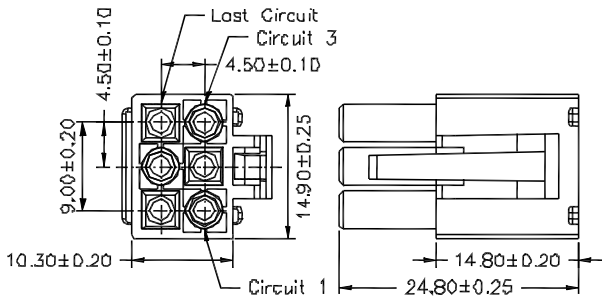


**Material:**

Housing: nylon 66, UL94V-0, white



Part Number: 4501WM-D0600WH



Part Number: 4501WF-D0600WH

							General Tolerance	<h1>Zeakka Electronics</h1>				Document No.: ZK-4501-D06		
							.X ±0.3					Title: HOUSING, FEMALE & MALE, CRIMP TYPE, DUAL ROW, 4.5MM PITCH, 6 PIN		
							.XX ±0.2							
Date	Version	EC No.	Description	DRWN	CH'K	APPR	.XXX ±0.1	Kai Lee	Cris Wang	Jun Wei	2020.8.8	mm	1:1	A

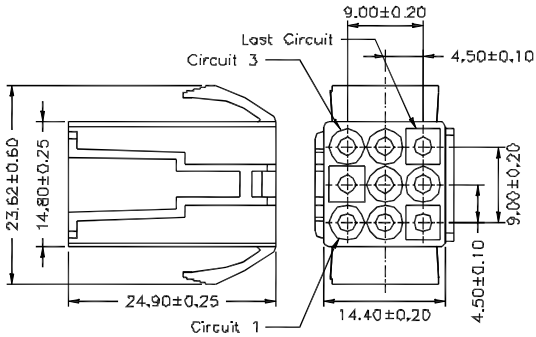
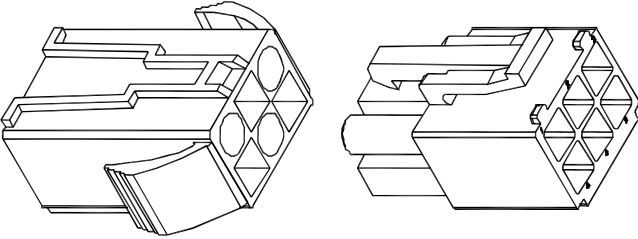
THIRD ANGLE PROJECTION

**Specifications:**

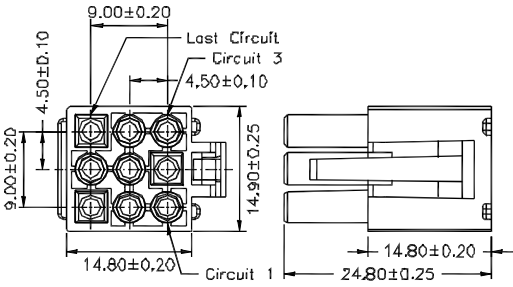
Current Rating: 10A AC/DC  
 Voltage rating: 300V AC/DC  
 Temperature range: -25°C to +90°C  
 Contact resistance: 7mΩ max.  
 Insulation resistance: 1000MΩ min.  
 Withstand voltage: 1500V AC/minute

**Material:**

Housing: nylon 66, UL94V-0, white

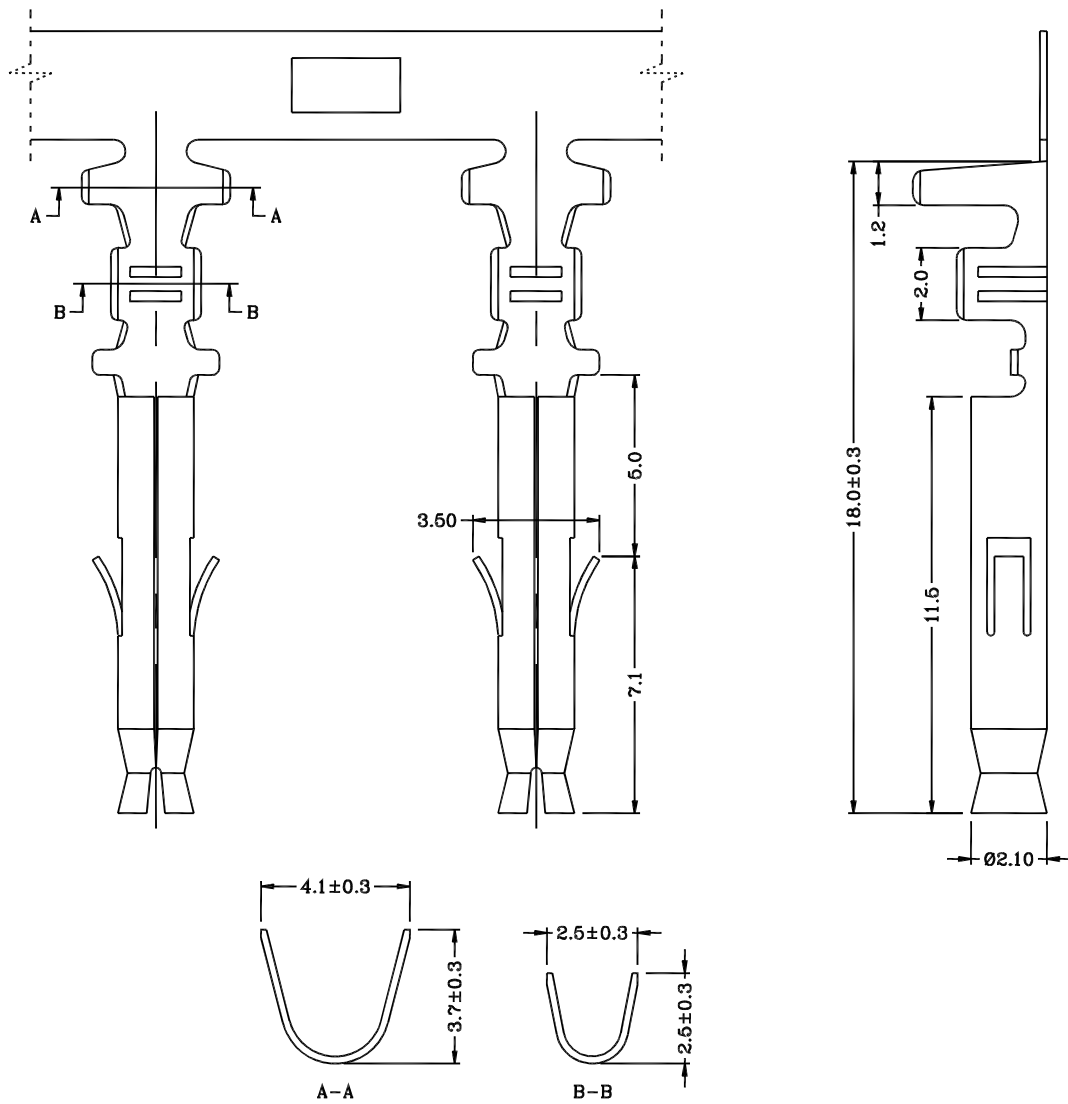


Part Number: 4501WM-T0900WH



Part Number: 4501WF-T0900WH

							General Tolerance	<h1>Zeakka Electronics</h1>				Document No.: ZK-4501-T09		
							.X ±0.3					Title: HOUSING, FEMALE & MALE, CRIMP TYPE, TRIPLE ROW, 4.5MM PITCH, 9 PIN		
							.XX ±0.2							
							.XXX ±0.1	APPR	CH'K	DRWN	Date	Dimensions	Scale	Version
Date	Version	EC No.	Description	DRWN	CH'K	APPR	THIRD ANGLE PROJECTION	Kai Lee	Cris Wang	Jun Wei	2020.8.8	mm	1:1	A



**Specifications:**

Current Rating: 10A AC/DC  
 Voltage rating: 300V AC/DC  
 Temperature range: -25°C to +90°C  
 Contact resistance: 7mΩ max.  
 Insulation resistance: 1000MΩ min.  
 Withstand voltage: 1500V AC/minute  
 Applicable wire: AWG26 - AWG20  
 Insulation OD: max 2.70mm  
 Package: reel

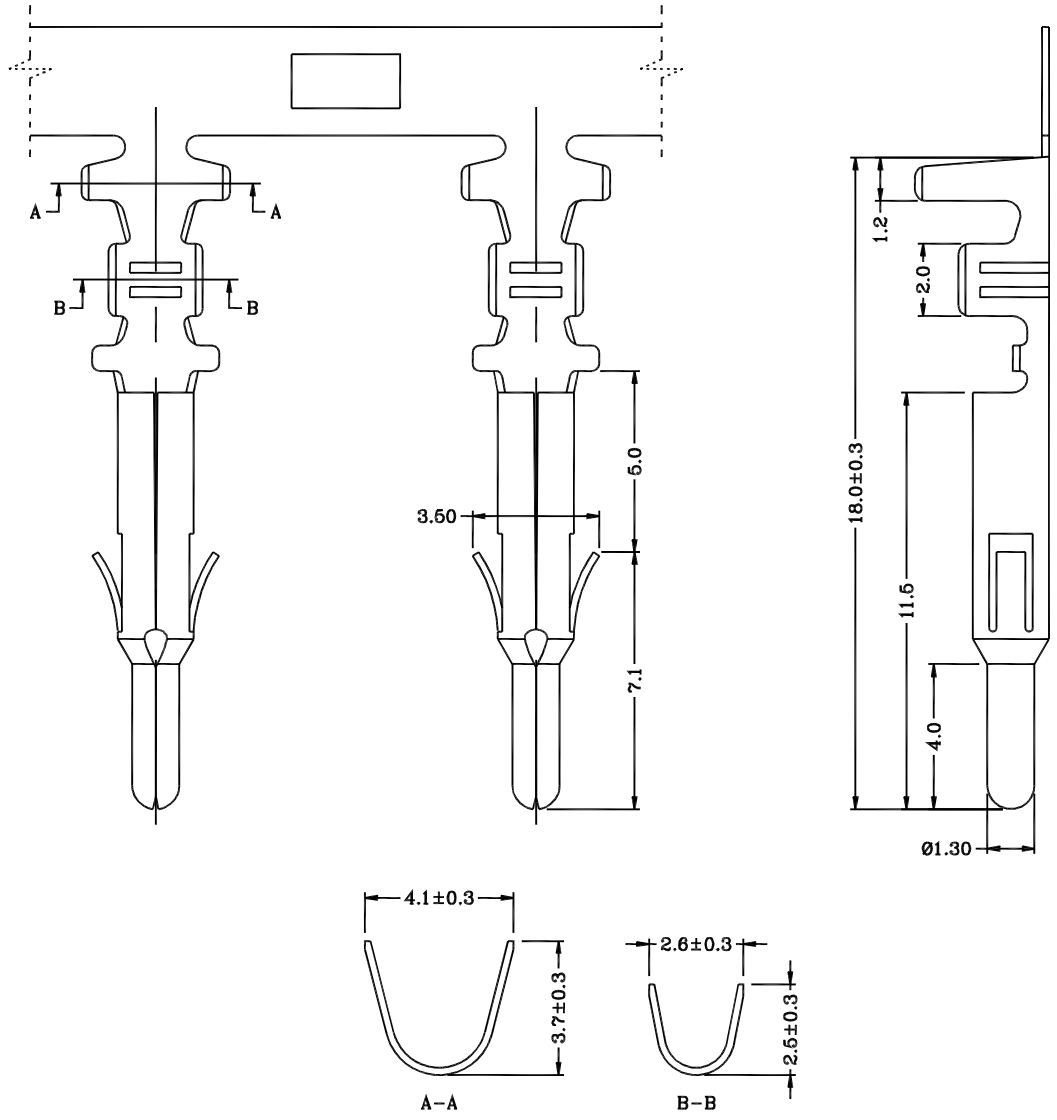
**Material:**

Phosphor bronze

**Part Number Information:**

Series Number: 4501 TF - P T  
 TF: terminal, female  
 Material: P -- phosphor bronze  
 Plating: T -- tin plating

							General Tolerance	<b>Zeakka Electronics</b>				Document No.: ZK-4501TF		
							.X ± 0.3					Title: TERMINAL, FEMALE, CRIMP TYPE, PHOSPHOR BRONZE, TIN, REEL		
							.XX ± 0.2					APPR	CH'K	DRWN
Date	Version	EC No.	Description	DRWN	CH'K	APPR	.XXX ± 0.1	Kai Lee	Cris Wang	Jun Wei	2020.8.8	mm	1:1	A



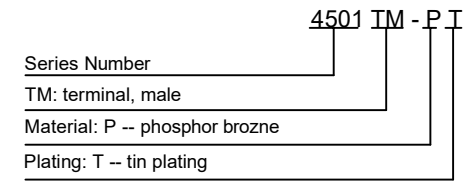
**Specifications:**

Current Rating: 10A AC/DC  
 Voltage rating: 300V AC/DC  
 Temperature range: -25°C to +90°C  
 Contact resistance: 7mΩ max.  
 Insulation resistance: 1000MΩ min.  
 Withstand voltage: 1500V AC/minute  
 Applicable wire: AWG26 - AWG20  
 Insulation OD: max 2.70mm  
 Package: reel

**Material:**

Phosphor bronze

**Part Number Information:**



							General Tolerance	<b>Zeakka Electronics</b>				Document No.: ZK-4501TM						
							.X ±0.3					Title: TERMINAL, MALE, CRIMP TYPE, PHOSPHOR BRONZE, TIN, REEL						
							.XX ±0.2					APPR	CH'K	DRWN	Date	Dimensions	Scale	Version
							.XXX ±0.1					Kai Lee	Cris Wang	Jun Wei	2020.8.8	mm	1:1	A
Date	Version	EC No.	Description	DRWN	CH'K	APPR	THIRD ANGLE PROJECTION											